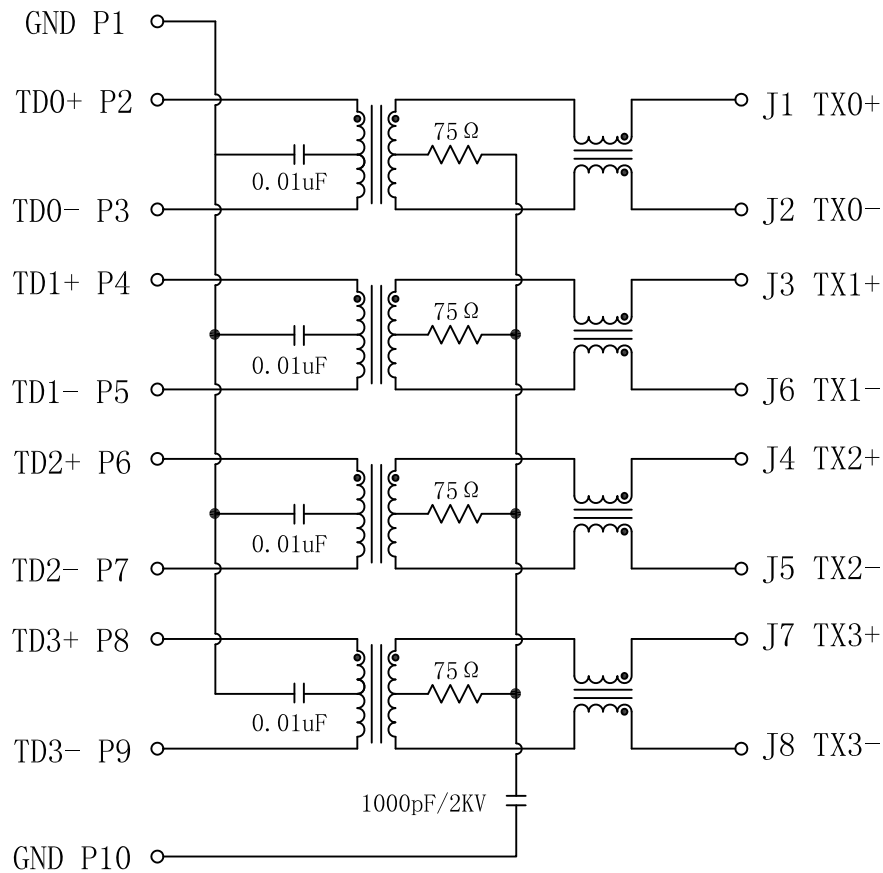


Schematic:

REV.	ECN NO.	DESCRIPTION	DATE	APPD
A	REL		2014/10/07	

PCB CONNECTIONS

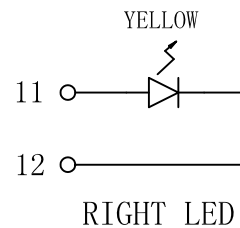
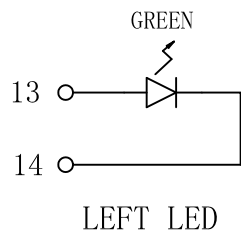


RJ45 CONNECTOR

ELECTRICAL SPECIFICATIONS @25°C

- Turn Ratio ($\pm 2\%$):
1CT : 1CT
- Inductance OCL: 350uH Min
@100KHz, 0.1V, 8mA DC Bias
- Insertion Loss:
-0.5dB Max @ 1-65MHz
-0.8dB Max @ 65-100MHz
-1.2dB Max @ 100-125MHz
- Return Loss:
-16dB Min. (Load 100 OHM) @ 1-30MHz
-13.5dB Min. (Load 100 OHM) @ 30-40MHz
-11.5dB Min. (Load 100 OHM) @ 40-50MHz
-10dB Min. (Load 100 OHM) @ 60-80MHz
- Cross talk:
-30dB MIN @ 1-100MHz
- Common Mode Rejection:
-30dB MIN @ 1-100MHz
- Hipot Test: 1500Vrms MIN
- Operating Temperature : 0°C TO 70°C

Emitting Color	λ p(nm)	VF@IF=20mA	IR @VR=5V
Green	570	1.8~2.6V	10 μ A max
Yellow	590	1.8~2.6V	10 μ A max



X:X	± 0.25	APPD:	LINK-PP INT'L TECHNOLOGY CO., LIMITED	
X:XX	± 0.20	CHKD:	TITLE: RJ45 Connector with 1000 Base-TX Integrated Magnetics	
X:XXX	± 0.05	DR: TOM	PART NO.: LPJG18843AENL	
ANGLES	$\pm 1^\circ$	UNIT: mm	DWG NO.: LP14100701	
	SCALE: 2/1	SHEET: 1/2	REV: A	

