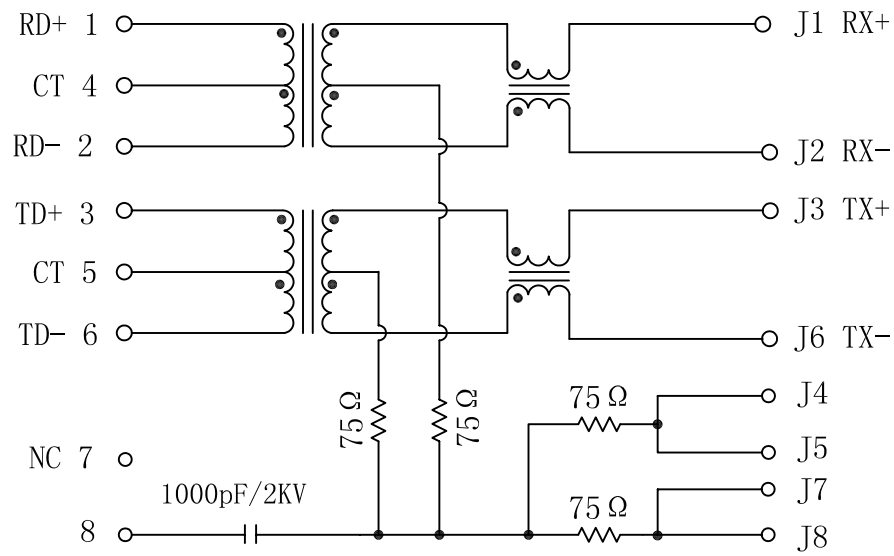


Schematic:

REV.	ECN NO.	DESCRIPTION	DATE	APPD
A	REL		2010/09/02	

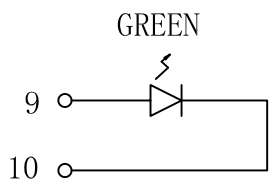
PCB CONNECTIONS



RJ45 CONNECTOR

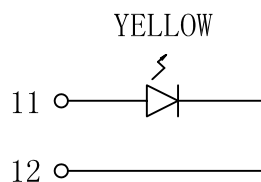
Electrical Specification @25°C

- Turns Ratio ($\pm 2\%$) :
TX=1CT:1CT RX=1CT:1CT
- OCL: 350uH Min
@100KHz, 0.1V, 8mA DC Bias
- Insertion Loss:
1~100MHz:-1.0dB MAX
- Return Loss(dB MIN @100Ω $\pm 15\Omega$):
1~10MHz:-20 30MHz:-16
60~80MHz:-12
- Crosstalk(dB MIN):
1~10MHz:-40 30~60MHz:-35
60~100MHz:-30
- Common Mode Rejection(dB MIN):
1~50MHz:-30 50~130MHz:-20
- Hipot: 1500Vrms MIN @ 60Hz 1 minute
- Operating Temperature: -40°C ~ +85°C.



LEFT LED

LED POLARITY		COLOR
PIN 9	PIN 10	
+	-	GREEN



RIGHT LED

LED POLARITY		COLOR
PIN 11	PIN 12	
+	-	YELLOW



X:X	±0.25	APPD:	LINK-PP INT'L TECHNOLOGY CO., LIMITED
X:XX	±0.20	CHKD:	
X:XXX	±0.05	DR: TOM	
ANGLES ±1°		UNIT: mm	TITLE: RJ45 Connector With 10/100 Base-TX Integrated Magnetic
			PART NO. : LPJ66404AENL
	SCALE: 2/1	SHEET: 1/2	REV: A DWG NO. : LP10090218

