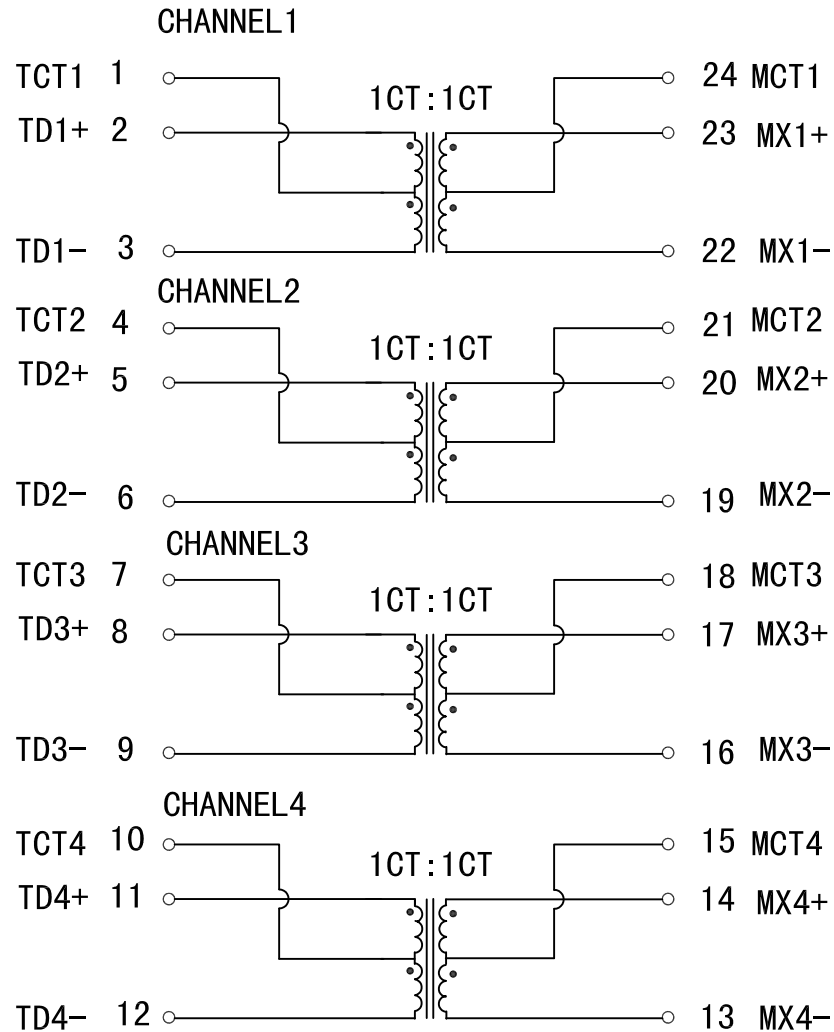


Schematic:

| REV. | ECN NO. | DESCRIPTION | DATE | APPD |
|------|---------|-------------|------------|------|
| A | REL | | 20/12/2007 | |



Electrical Specification @25°C

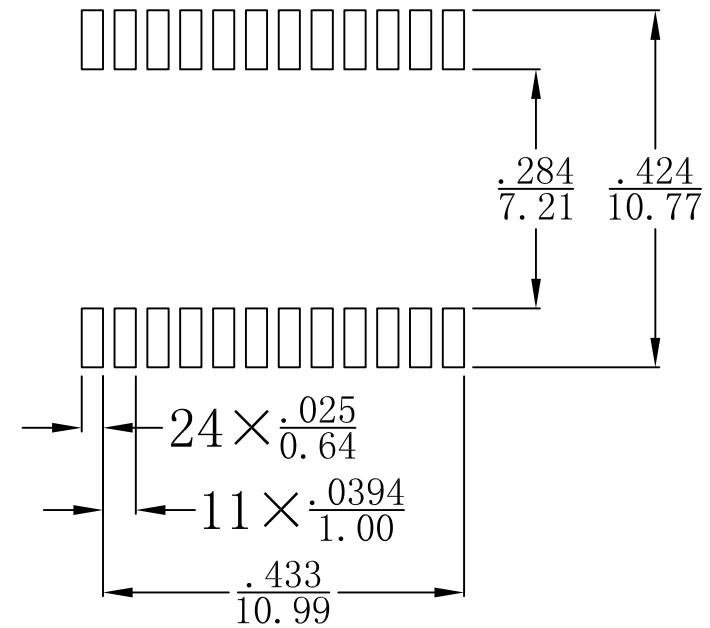
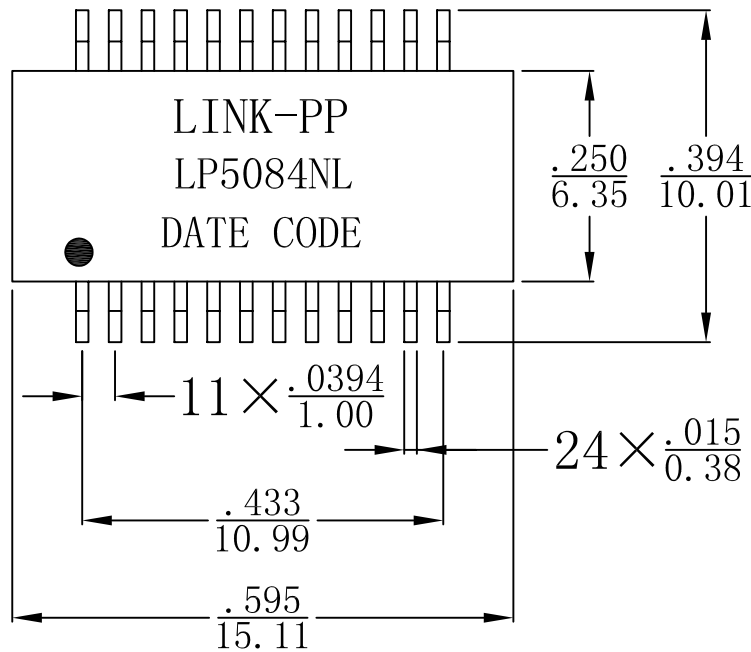
- Insertion Loss:
 - 1-100MHz: -1.0dB MAX
- Return Loss (dB MIN):
 - 1-30MHz: -18 40MHz: -18
 - 50MHz: -16 60-80MHz: -12
 - 100MHz: -10
- Crosstalk (dB MIN):
 - 30MHz: -45 60MHz: -40
 - 100MHz: -35
- Differential to Common Mode Rejection:
 - 30MHz: -43dB MIN
 - 60MHz: -37dB MIN
 - 100MHz: -33dB MIN
- Hipot: 1500Vrms MIN
- Operating Temperature: 0~70°C



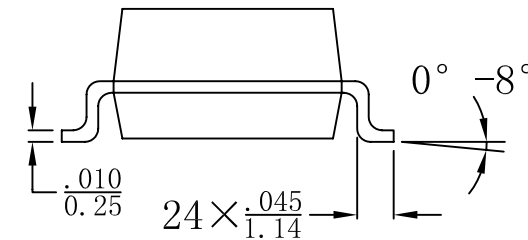
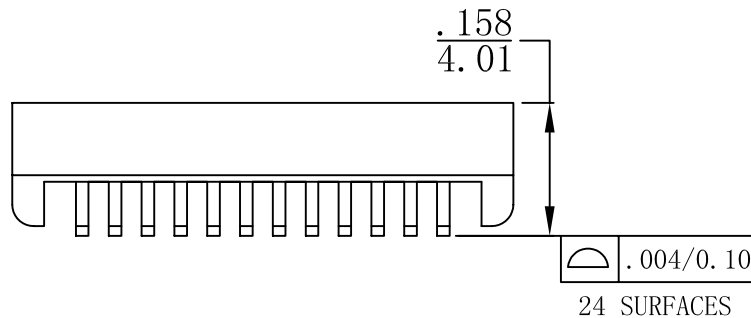
| | | | | |
|--------|------------|-----------------|---------------------------------------|----------|
| X:X | ±0.20 | APPD: | LINK-PP INT'L TECHNOLOGY CO., LIMITED | |
| X:XX | ±0.10 | CHKD: | Title: 1000Base-T Magnetics Modules | |
| X:XXX | ±0.05 | DR: TOM | PART NO.: LP5084NL | |
| ANGLES | ±1° | UNIT: Inches/mm | | |
| | SCALE: 2/1 | SHEET: 1/2 | REV: A | DWG NO.: |

Mechanical:

| REV. | ECN NO. | DESCRIPTION | DATE | APPD |
|------|---------|-------------|------------|------|
| A | REL | | 20/12/2007 | |



SUGGESTED PAD LAYOUT



NOTES:

1. DESIGNED FOR GIGABIT TRANSCEIVERS
2. RoHS COMPLIANT
3. PEAK REFLOW TEMPERATURE RATING 245°C
4. MAGNETICS, DESIGNED FOR GIGABIT PHY USED IN BACKPLANE
5. COMPLIANT WITH IEEE 802.3AB STANDARD

| | | | | |
|--------|------------|-----------------|---------------------------------------|----------|
| X:X | ±0.20 | APPD: | LINK-PP INT'L TECHNOLOGY CO., LIMITED | |
| X:XX | ±0.10 | CHKD: | | |
| X:XXX | ±0.05 | DR: TOM | Title: 1000Base-T Magnetics Modules | |
| ANGLES | ±1° | UNIT: Inches/mm | PART NO.: LP5084NL | |
| | SCALE: 2/1 | SHEET: 2/2 | REV: A | DWG NO.: |