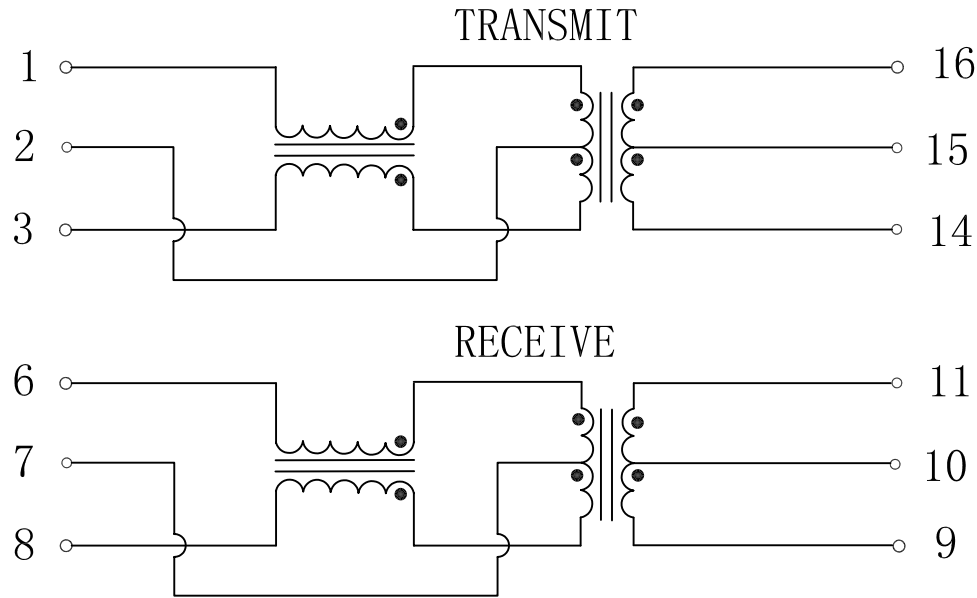


Schematic:

REV.	ECN NO.	DESCRIPTION	DATE	APPD
A	REL		2009/07/27	



Electrical Specification @25°C

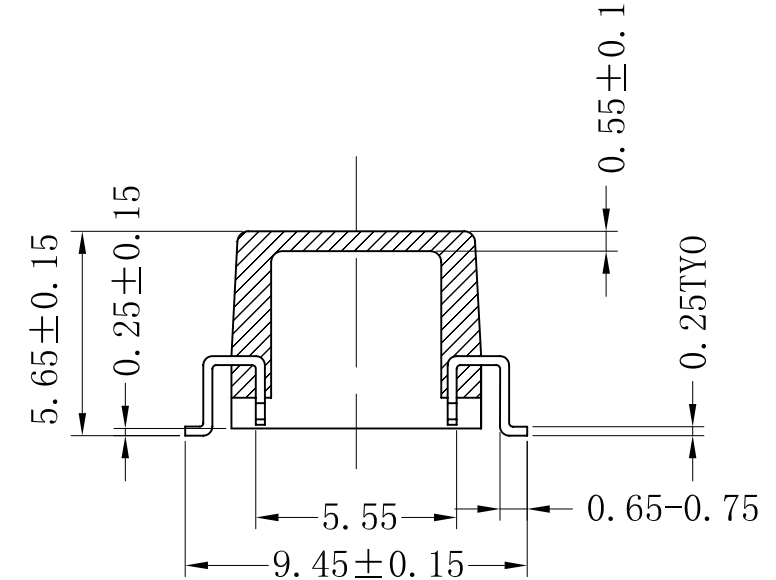
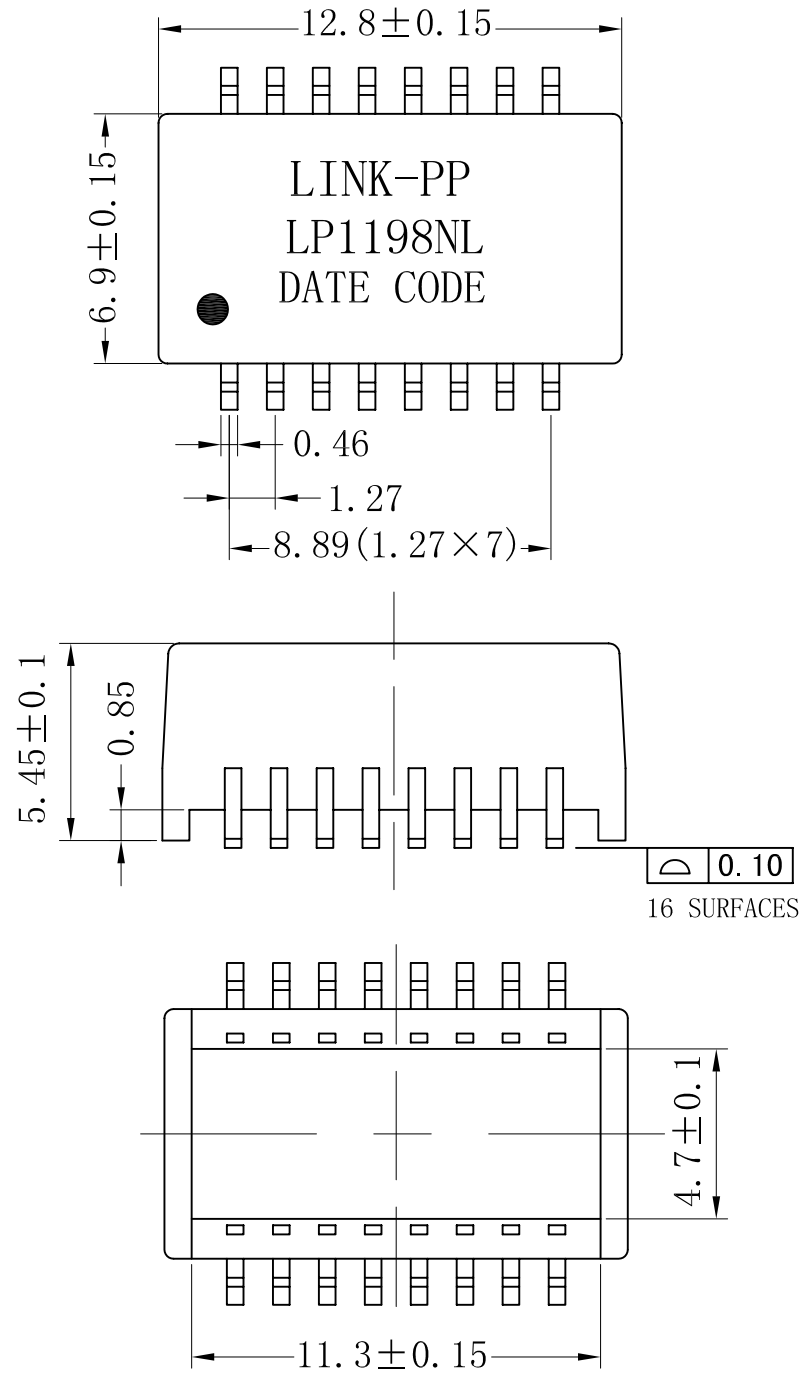
1. OCL: 350uH Min
@100KHz, 0.2V, With 8mA DC BIAS
2. Turns Ratio ($\pm 5\%$):
TX=1CT:1CT RX=1CT:1CT
3. Insertion Loss:
0.3-100MHz:-1.1dB Max
4. Return Loss (dB Min):
0.3-30MHz:-18 40MHz:-16
50MHz:-14.5 60-80MHz:-12
5. Crosstalk (dB Min):
0.3-60MHz:-42 60-100MHz:-35
6. Common Mode Rejection (dB Min):
0.3-30MHz:-40 60MHz:-35
80-100MHz:-30
7. Isolation Voltage:1500Vrms
8. Operating Temperature:-40~+85°C.



X:X	± 0.20	APPD:	LINK-PP INT'L TECHNOLOGY CO., LIMITED	
X:XX	± 0.10	CHKD:	TITLE: 10/100Base-T Single Port Transformer Modules	
X:XXX	± 0.05	DR: TOM	PART NO.: LP1198NL	
ANGLES	$\pm 1^\circ$	UNIT: mm		
	SCALE: 2/1	SHEET: 1/2	REV: A	DWG NO.: LP09072701

Mechanical :

REV.	ECN NO.	DESCRIPTION	DATE	APPD
A	REL		2009/07/27	



- NOTES:
1. Designed to support application, such as SOHO (ADSL modems), LAN-on-Motherboard (LOM), hub and Switches.
 2. With various Turns Ratios.
 3. RoHS "NLE" peak solder rating 255°C.



X:X	±0.20	APPD:	LINK-PP INT'L TECHNOLOGY CO., LIMITED		
X:XX	±0.10	CHKD:	TITLE: 10/100Base-T Single Port Transformer Modules		
X:XXX	±0.05	DR: TOM	PART NO.: LP1198NL		
ANGLES	±1°	UNIT: mm			
		SCALE: 2/1	SHEET: 2/2	REV: A	DWG NO.: LP09072701