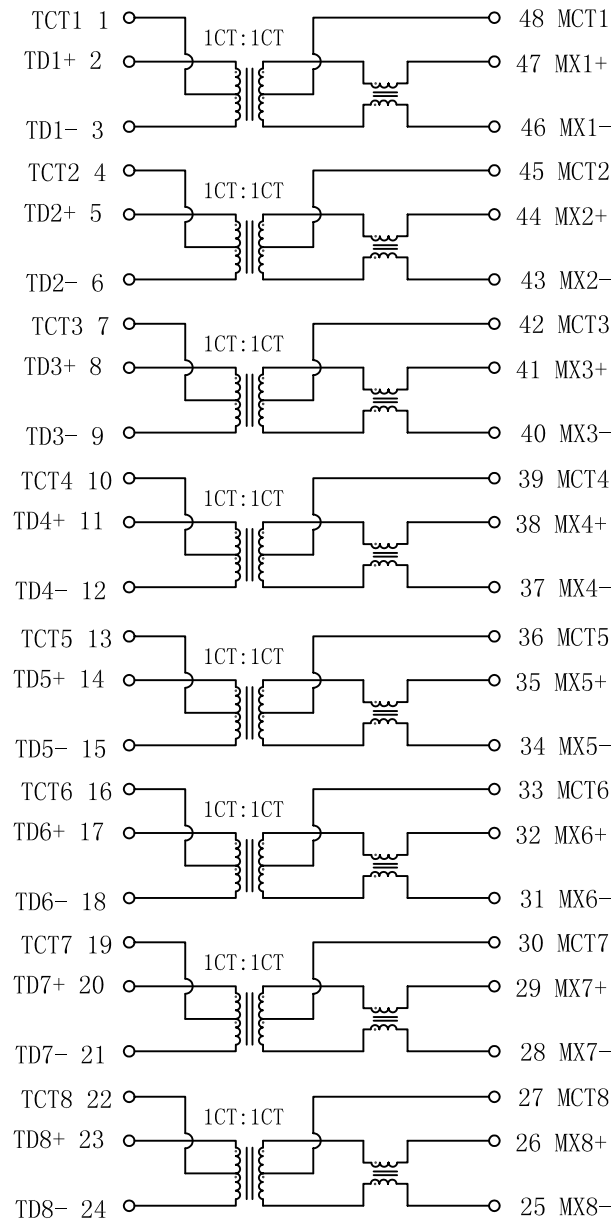


Schematic:

REV.	ECN NO.	DESCRIPTION	DATE	APPD
A	REL		2010/08/05	



Electrical Specifications @25°C

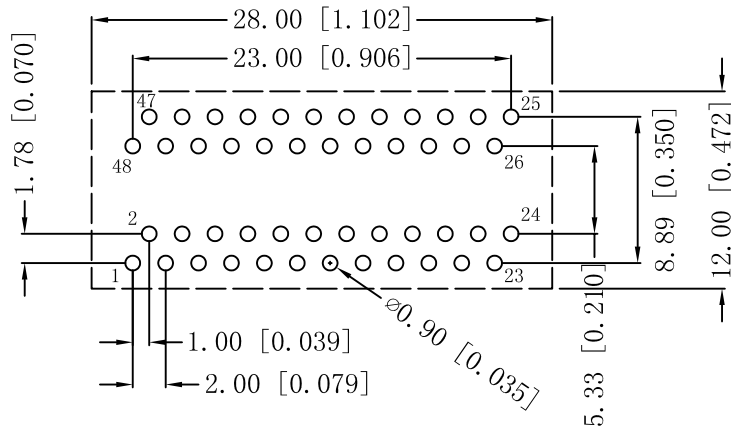
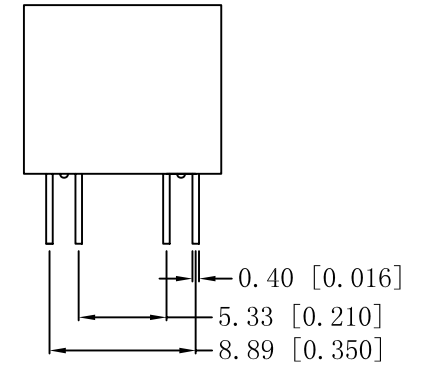
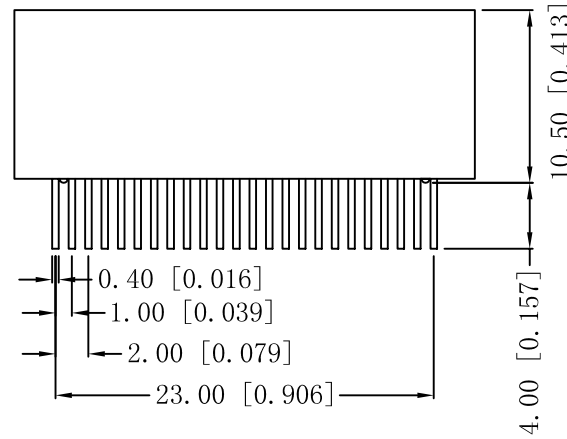
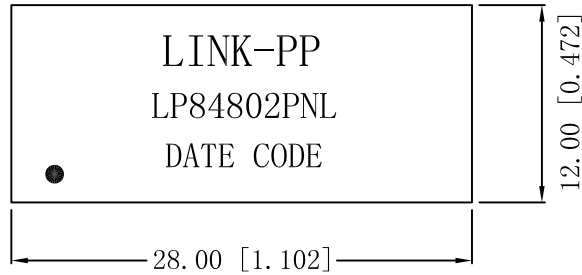
- Turns Ratio ($\pm 3\%$):
1CT:1CT
- OCL (100KHz, 100mV, 8mA, DC):
350uH MIN
- Insertion Loss:
1-100MHz: -1.0 dB MAX
- Return Loss (dB MIN):
1-30MHz: -18 40MHz: -14.4
50MHz: -13.1 60-80MHz: -12
100MHz: -10
- Crosstalk (dB MIN):
30MHz: -45 60MHz: -40
100MHz: -35
- Differential To Common Mode Rejection:
30MHz: -43dB MIN
60MHz: -37dB MIN
100MHz: -33dB MIN
- Hipot (Vrms MIN): 1500
- Operating Temperature: 0°C ~ 70°C.



X:X	± 0.20	APPD:	LINK-PP INT'L TECHNOLOGY CO., LIMITED	
X:XX	± 0.10	CHKD:	Title: 1000BASE-T DUAL PORT MAGNETICS MODULES	
X:XXX	± 0.05	DR: TOM	PART NO.: LP84802PNL	
ANGLES	$\pm 1^\circ$	UNIT: mm [Inches]	DWG NO.: LP10080506	
	SCALE: 2/1	SHEET: 1/2	REV: A	

Mechanical:

REV.	ECN NO.	DESCRIPTION	DATE	APPD
A	REL		2010/08/05	



SUGGESTED PCB LAYOUT (TOP VIEW)



NOTES:

1. IEEE 802.3ab/ANSI×3.263 compliant performance
2. Designed for IP phone or switch applications
3. Compact footprint
4. Some models offer AutoMDIX cap
5. For RoHS part add suffix NL.
6. RoHS "NL" peak solder rating 245°C.

X:X	±0.20	APPD:	LINK-PP INT'L TECHNOLOGY CO., LIMITED	
X:XX	±0.10	CHKD:	Title: 1000BASE-T DUAL PORT MAGNETICS MODULES	
X:XXX	±0.05	DR: TOM	PART NO.: LP84802PNL	
ANGLES	±1°	UNIT: mm [Inches]		
	SCALE: 2/1	SHEET: 2/2	REV: A	DWG NO.: LP10080506