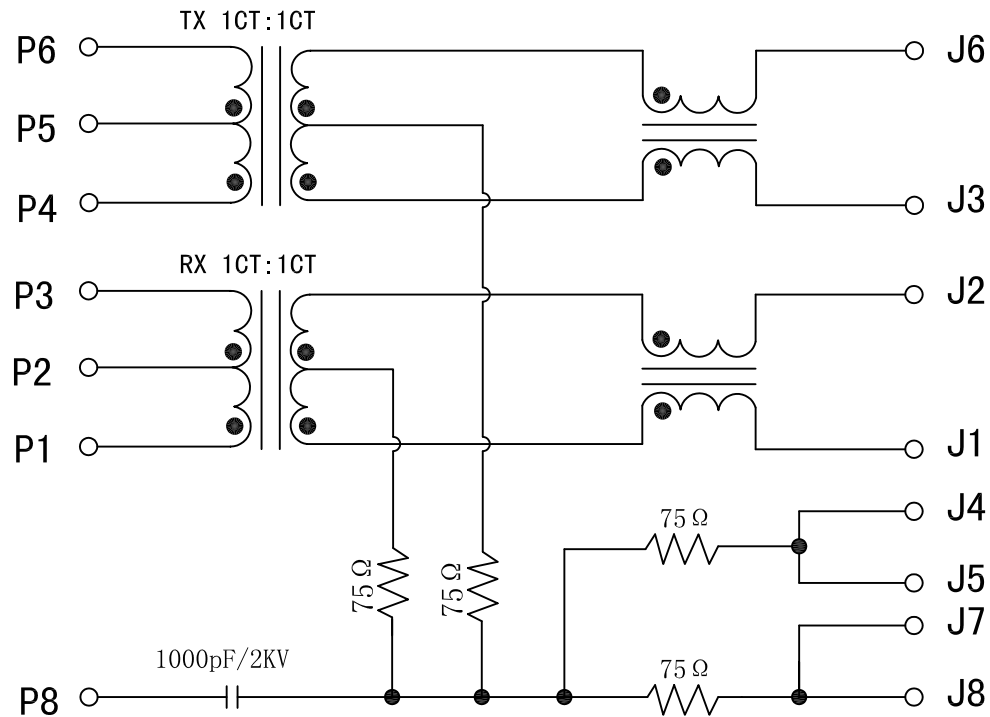


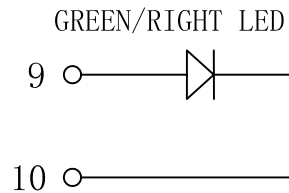
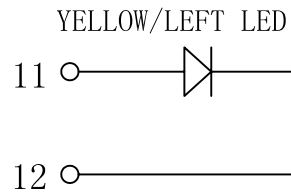
Schematic:

REV.	ECN NO.	DESCRIPTION	DATE	APPD
A	REL		2010/04/22	



Electrical Specifications @25°C

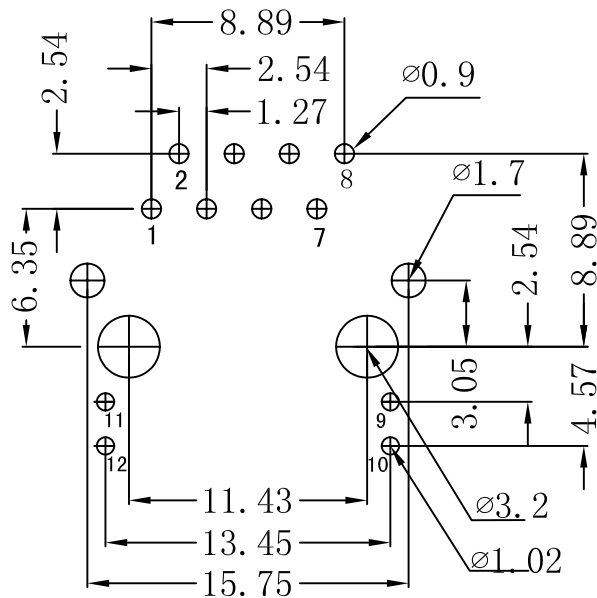
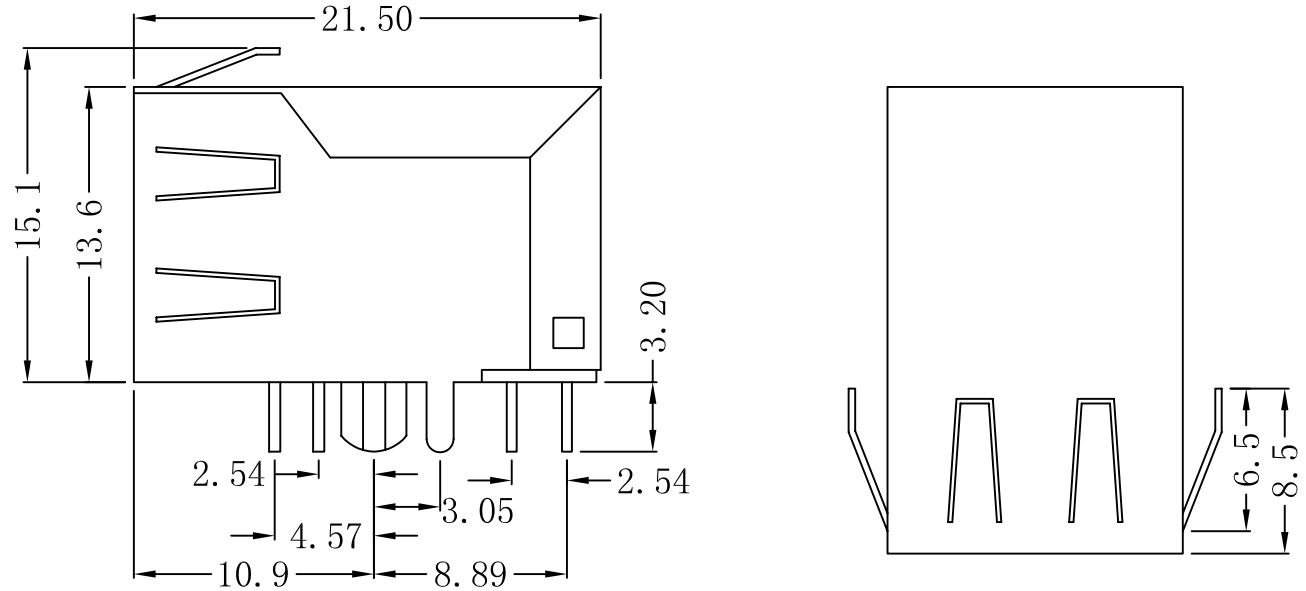
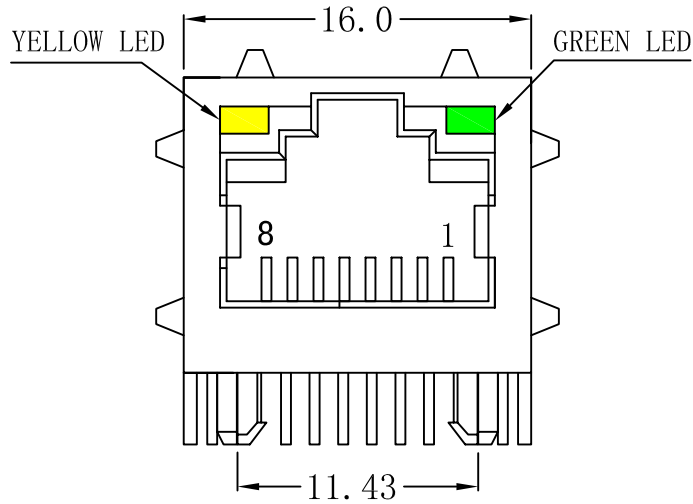
- Turns Ratio:
TX=1CT:1CT RX=1CT:1CT
- Inductance OCL:
350uH min @100KHz, 100mV, 8mAdc.
- Return Loss(dB Min):
1-30MHz:-16
30-60MHz:-16-20 log(f/30MHz)
60-80MHz:-10
- Crosstalk(dB Min):
1-60MHz:-40 60-100MHz:-38
- Insertion Loss:
1-100MHz:-1.0dB Max
- Isolation Voltage:1500Vrms
- Operating Temperature:0~70°C



X:X	±0.20	APPD:	LINK-PP INT'L TECHNOLOGY CO., LIMITED	
X:XX	±0.10	CHKD:		
X:XXX	±0.05	DR: TOM	Title: RJ45 Connector With 10/100 Base-TX Integrated Magnetic	
ANGLES	±1°	UNIT: mm	PART NO.: LPJ16112ADNL	
	SCALE: 2/1	SHEET: 2/2	REV: A	DWG NO: LP10042204

Mechanical :

REV.	ECN NO.	DESCRIPTION	DATE	APPD
A	REL		2010/04/22	



SUGGESTED PCB LAYOUT (TOP VIEW)

NOTES:

1. Designed to support application, such as SOHO (ADSL modems), LAN-on-Motherboard (LOM), hub and Switches.
2. Meets IEEE 802.3 specification
3. Connector Materials:
 Housing: Thermoplastic UL94V-0
 Contact/Shield: Copper alloy
 Shield plating: Nickel
 Contact plating: Gold 6 micro-inches min. In contact area.
4. Wave solder tip temperature: 265°C Max
 Wave solder tip temperature time: 5 Sec Max



X:X	±0.20	APPD:	LINK-PP INT'L TECHNOLOGY CO., LIMITED
X:XX	±0.10	CHKD:	
X:XXX	±0.05	DR: TOM	Title: RJ45 Connector With 10/100 Base-TX Integrated Magnetic
ANGLES	±1°	UNIT: mm	PART NO.: LPJ16112ADNL
	SCALE: 2/1	SHEET: 1/2	REV: A DWG NO: LP10042204