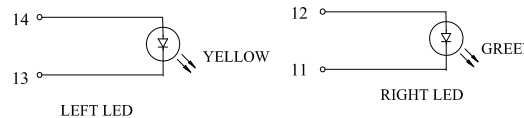
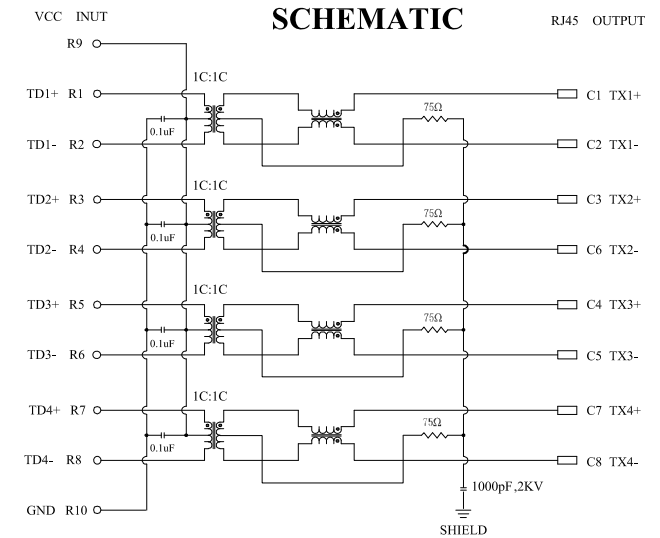
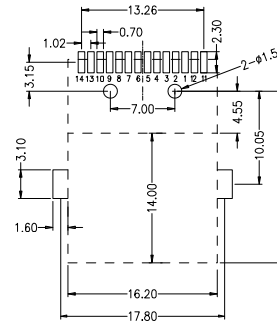
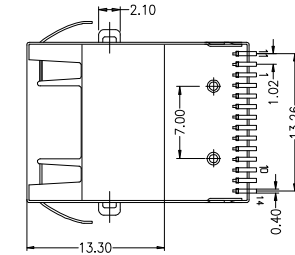
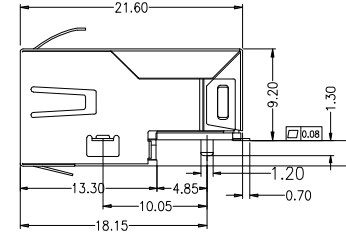
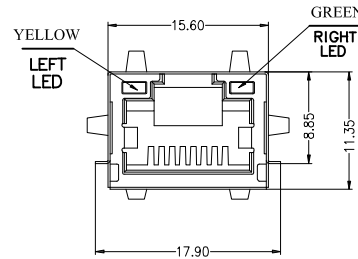


REVISION RECORD				
REV	ECO	DESCRIPTION	DRFT	CHKD
△		原始版本	PENGZ 12.8.4	

Feature:

- Complies with IEEE standards and all Gigabit specifications including 350uH with 8mA DC bias
- Integrated Mag-modular design provides higher reliability and conserves minimizing PCB space
- Housing: Thermoplastic LCP UL94V0 rated
- Contact :Phosphor Bronze C5191,Thickness=0.30mm plated Nickel 50u" Min, Gold plated on contact area 1u" Min
- Input Terminal : Phosphor Bronze C5191,T=0.25mm Finish : 120m' min Tin over 50m' min Nickel
- Metal shielding: Copper alloy with Nickel plated(C2680), Thickness=0.20mm Ni 30u" Min
- Different color of LEDs option available
- Operating temperature: 0°C to +70°C
- Resistance to soldering heat:255°C for 5seconds, and only for wave soldering process.



Electrical Specifications: (25°C)

1. Turns Ratio: @100KHz,0.1V: 1 : 1 ±5%	4. Common Mode Rejection: @1~50MHz: -30dB Min @50~100MHz: -20dB Min
2. Insertion Loss: @1~100MHz : -1.0dB Max	5. Crosstalk: @30~60MHz : -35dB Min @60~100MHz : -30dB Min
3. Return Loss: @1~10MHz : -20dB Min @30MHz : -16dB Min @ 60~80MHz : -12dB Min	6. OCL: @100KHz, 0.1V 8mADC : 350uH Min
	7. Hi-Pot: 2250V DC, 1mA, 60Sec

Lead-free process,compliant RoHS

DETACHED LISTS		设计: TOM	日期 12.8.4	LINK-PP INT'L TECHNOLOGY CO., LIMITED	
一般公差栏		审核: FRANK	日期 12.8.4	系列	名称
INCH	MM	批准: LEO	日期 12.8.4	RJ45 Connector	
.0 ±	.0 ± 0.38	材料:		料号: LPJG19661AGNL	A4 版本
.00 ±	.00 ± 0.25	数量:		不按比例	
.000 ±	.000 ± 0.13	表面处理:		共 1 页 第 1 页	
角度 ± 1.5°		比例: 1:1			
第三角视图					