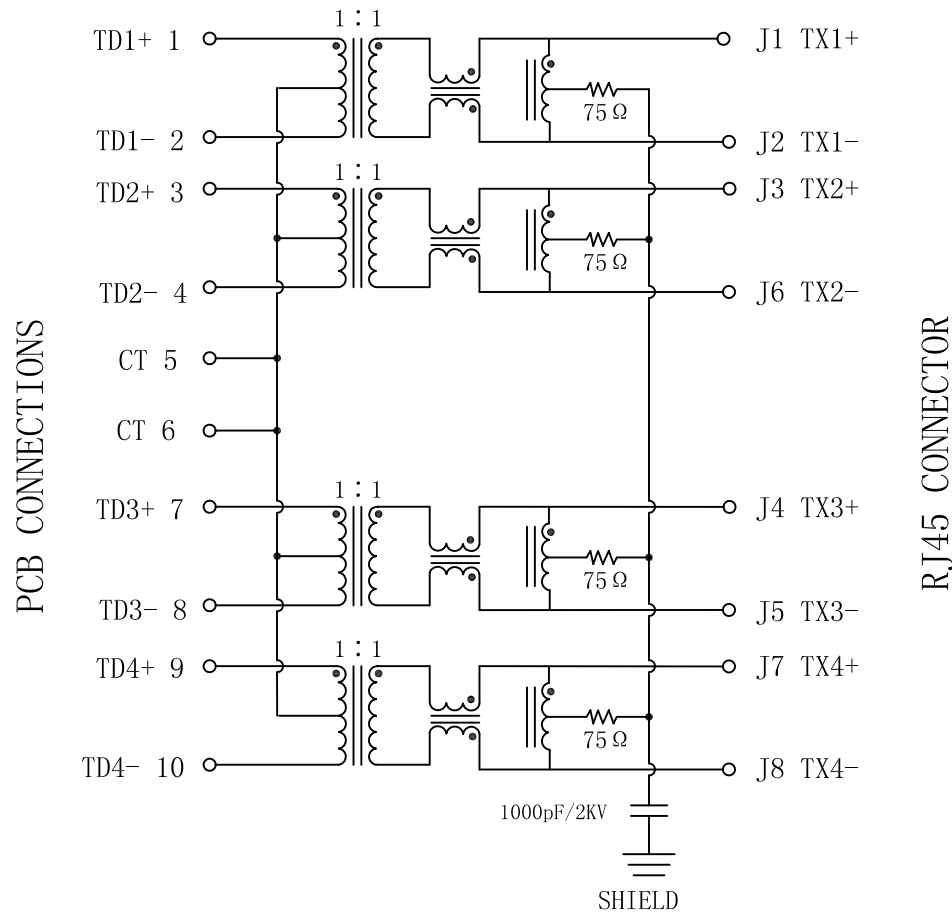


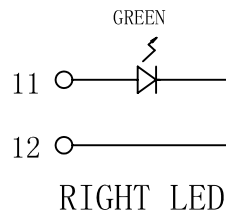
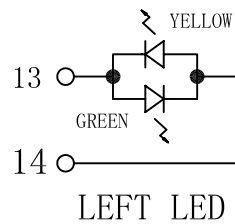
# Schematic:

REV.	ECN NO.	DESCRIPTION	DATE	APPD
A	REL		2012/11/07	



## Electrical Specifications @25°C

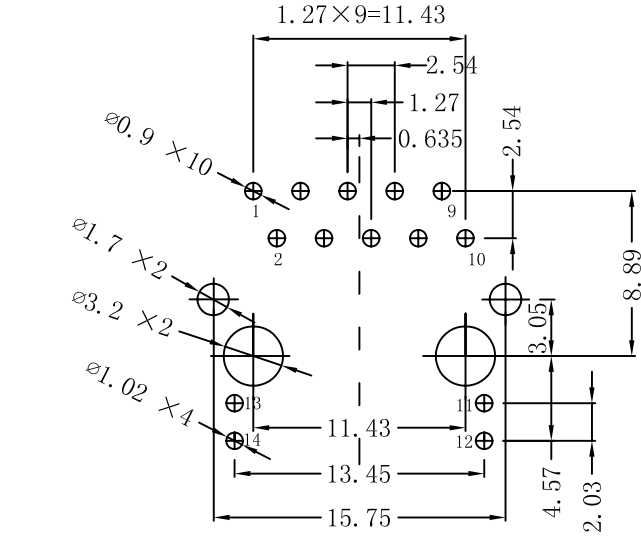
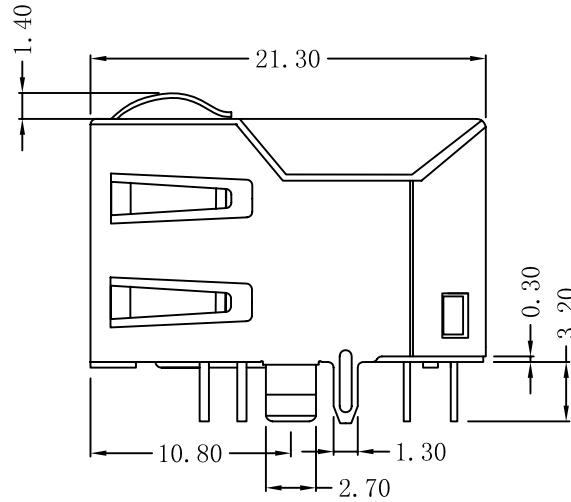
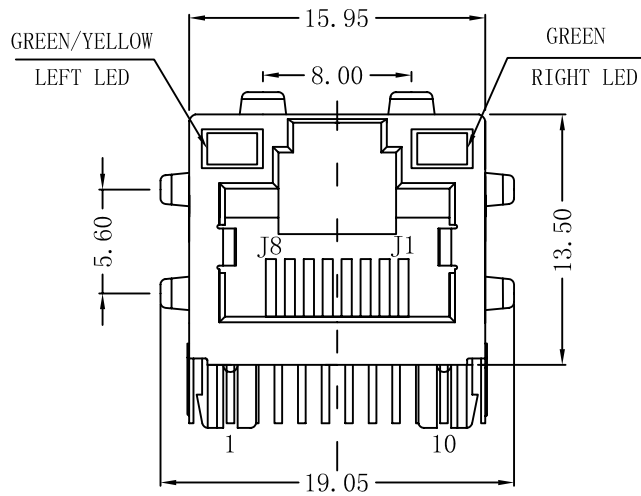
- Turns Ratio ( $\pm 2\%$ ):  
TX=1CT:1CT      RX=1CT:1CT
- OCL: 350uH Min  
@100KHz, 100mV, 8mA bias current
- Insertion Loss:  
0.1-0.9MHz: -1.0dB Max  
0.9-100MHz: -1.1dB Max
- Return Loss(dB Min):  
0.1-15MHz: -18      15-60MHz: -16  
60-80MHz: -15      80-100MHz: -12
- Crosstalk(dB Min):  
0.1-0.9MHz: -43      1-15MHz: -35  
15-30MHz: -26      30-100MHz: -24
- Common Mode Rejection:  
0.1-30MHz: -46dB Min  
30-100MHz: -42dB Min
- Isolation Voltage: 1500Vrms
- Operating Temperature: 0°C ~ 70°C.



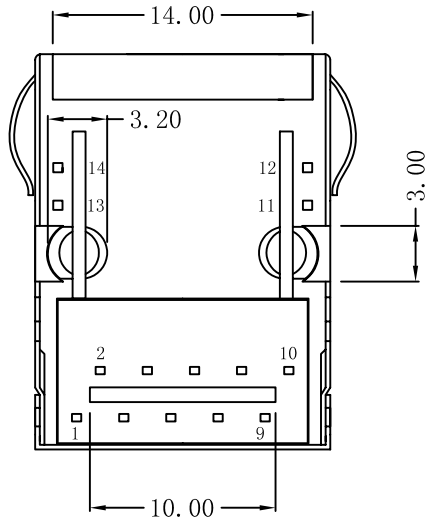
X:X	$\pm 0.20$	APPD:	LINK-PP INT'L TECHNOLOGY CO., LIMITED	
X:XX	$\pm 0.10$	CHKD:	TITLE: RJ45 Connector With 1000 Base-TX Integrated Magnetic	
X:XXX	$\pm 0.05$	DR: TOM	PART NO.: LPJG16505A52NL	
ANGLES	$\pm 1^\circ$	UNIT: mm		
	SCALE: 2/1	SHEET: 1/2	REV: A	DWG NO.: LP12110701

# Mechanical :

REV.	ECN NO.	DESCRIPTION	DATE	APPD
A	REL		2012/11/07	



Suggested PCB Layout (Top View)



## NOTES:

1. Designed to support application, such as SOHO (ADSL modems), LAN-on-Motherboard (LOM), hub and Switches.
2. Meets IEEE 802.3 specification
3. Connector Materials:  
 Housing: Thermoplastic UL94V-0  
 Contact/Shield: Copper alloy  
 Shield plating: Nickel  
 Contact plating: Gold 6 micro-inches min. In contact area.
4. Wave solder tip temperature: 265°C Max  
 Wave solder tip temperature time: 5 Sec Max



X:X	±0.20	APPD:	LINK-PP INT'L TECHNOLOGY CO., LIMITED
X:XX	±0.10	CHKD:	
X:XXX	±0.05	DR: TOM	TITLE: RJ45 Connector With 1000 Base-TX Integrated Magnetic
ANGLES	±1°	UNIT: mm	PART NO.: LPJG16505A52NL
	SCALE: 2/1	SHEET: 2/2	REV: A DWG NO.: LP12110701