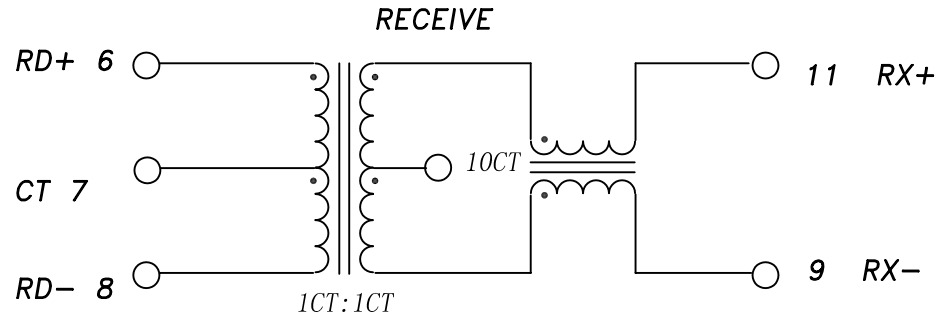
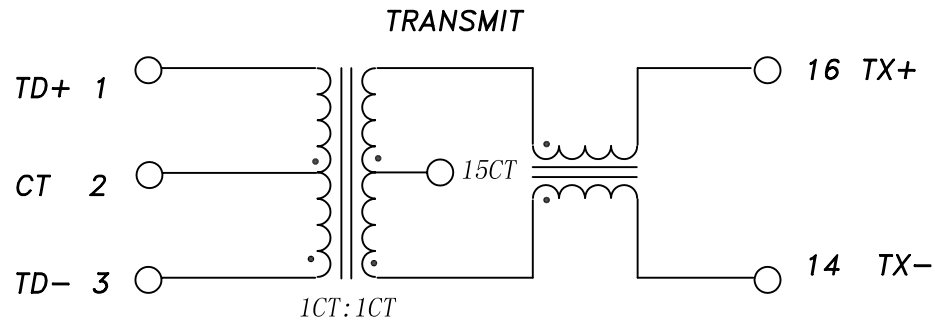


Schematic:

REV.	ECN NO.	DESCRIPTION	DATE	APPD
A	REL		24/07/2007	



Electrical Specifications @25°C

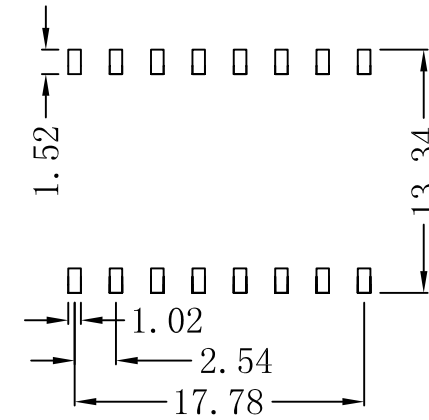
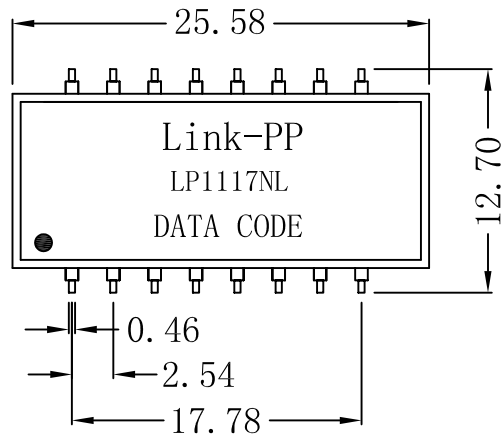
- Insertion Loss:
0.1-100MHz:-1.0dB MAX
- Return Loss(dB MIN @100Ω):
1-30MHz:-22 40MHz:-20
50MHz:-18 60-80MHz:-12
- Crosstalk(dB TYP):
30MHz:-50 60MHz:-40
100MHz:-40
- DCMR(dB MIN):
30MHz:-45 60MHz:-40
100MHz:-35
- Isolation Voltage: 1500Vrms
- Operating Temperature: 0°C~70°C.



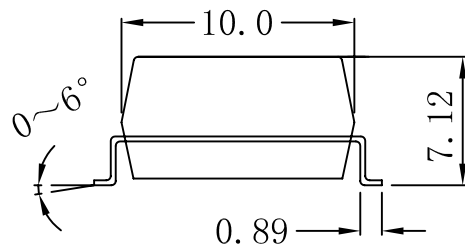
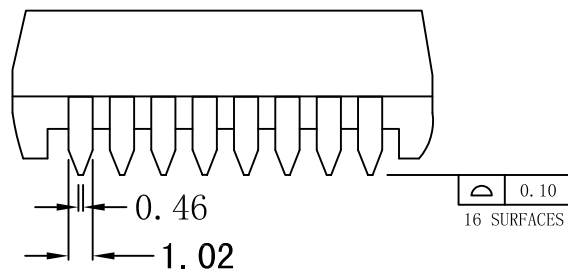
X:X	±0.20	APPD:	<i>LINK-PP INT'L TECHNOLOGY CO., LIMITED</i>	
X:XX	±0.10	CHKD:		
X:XXX	±0.05	DR: TOM	<i>Title: 10/100Base-T Single Port Transformer Modules</i>	
ANGLES	±1°	UNIT: mm	PART NO. : LP1117NL	
	SCALE: 2/1	SHEET: 1/2	REV: A	DWG NO. :

Mechanical :

REV.	ECN NO.	DESCRIPTION	DATE	APPD
A	REL		24/07/2007	



SUGGESTED PAD LAYOUT



NOTES:

1. Designed to support application, such as SOHO (ADSL modems), LAN-on-Motherboard (LOM), hub and Switches.
2. With various Turns Ratios.
3. 350uH min OCL with 8mA bias current.
4. RoHS "NL" peak solder rating 245°C.

X:X	±0.20	APPD:	LINK-PP INT'L TECHNOLOGY CO., LIMITED	
X:XX	±0.10	CHKD:		
X:XXX	±0.05	DR: TOM	Title: 10/100Base-T Single Port Transformer Modules	
ANGLES	±1°	UNIT: mm	PART NO.: LP1117NL	
	SCALE: 2/1	SHEET: 2/2	REV: A	DWG NO.: