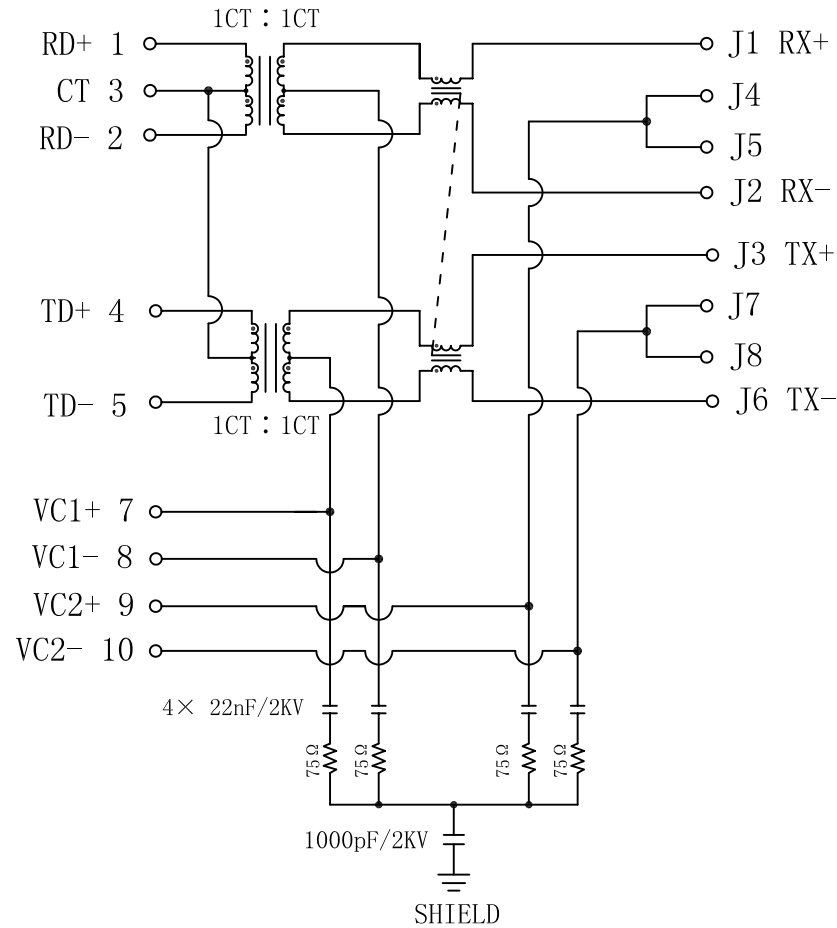


Schematic:

REV.	ECN NO.	DESCRIPTION	DATE	APPD
A	REL		2011/07/05	

PC BOARD CONNECTIONS



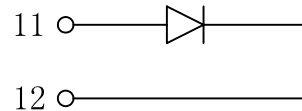
RJ45 CONNECTOR

Electrical Specifications @25°C

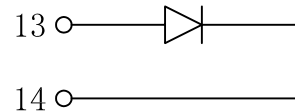
- Inductance: 350uH Min @100KHz, 0.1V, 8mADC Bias
- Turns Ratio(@100KHz/100mV):
TX=1CT:1CT RX=1CT:1CT
- Insertion Loss:
1-100MHz:-1.0 dB Max
- Return Loss(dB Min @100Ω):
1-10MHz:-18 10-30MHz:-16
30-60MHz:-12 60-80MHz:-10
- Crosstalk:
1-100MHz:-30dB Min
- Common Mode Rejection:
1-100MHz:-30dB Min
- Hipot: 1500Vrms Min @60Hz
- Operating Temperature: 0°C~70°C.



YELLOW/LEFT LED



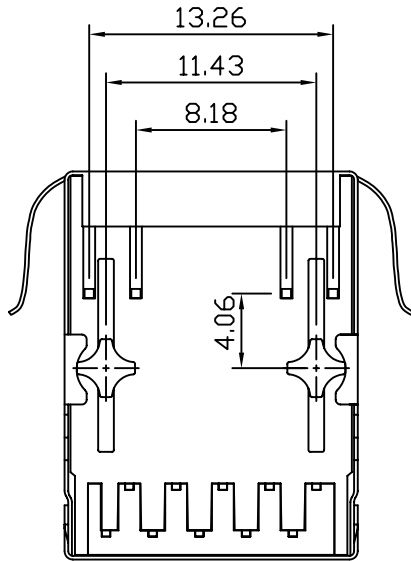
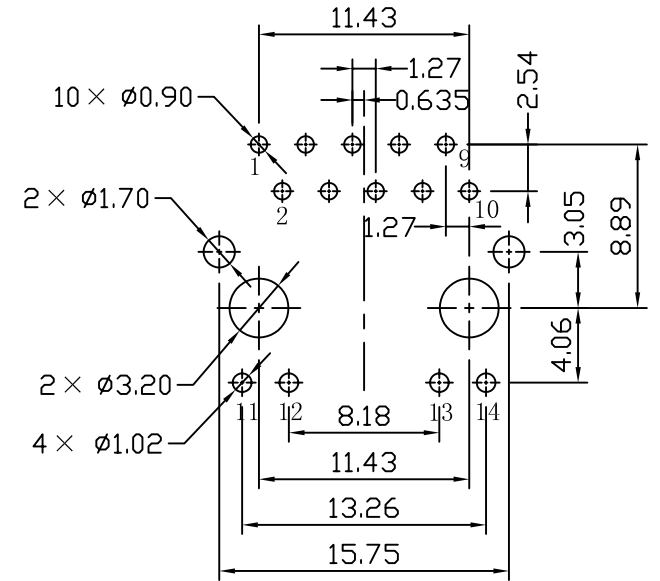
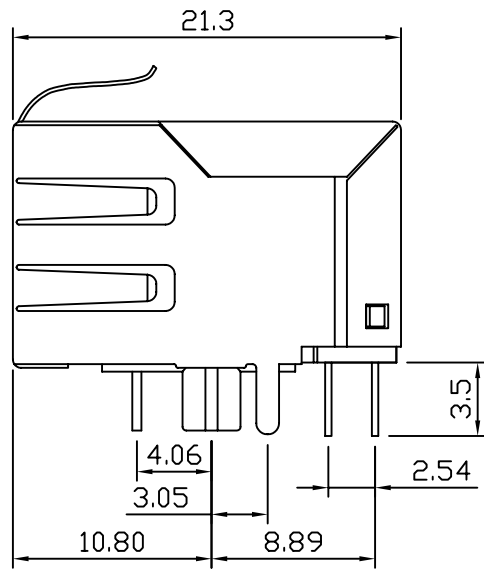
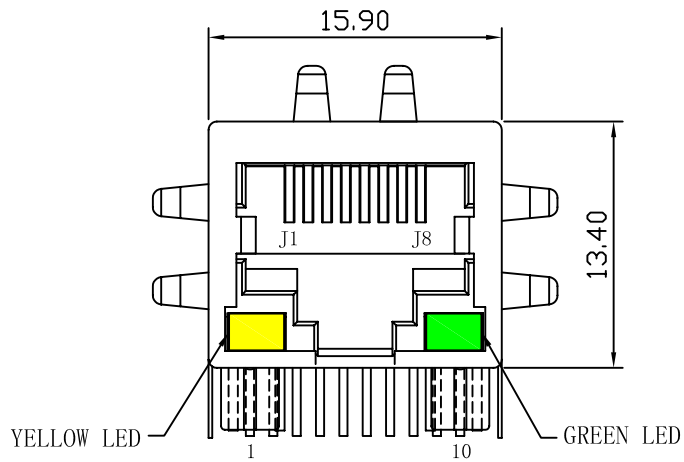
GREEN/RIGHT LED



X:X ±0.30	APPD:	LINK-PP INT'L TECHNOLOGY CO., LIMITED		
X:XX ±0.20	CHKD:	TITLE: RJ45 Connector with 10/100 Base-T Integrated Magnetics & PoE		
X:XXX ±0.05	DR: TOM	PART NO.: LPJ0188GDNL		
ANGLES ±1°	UNIT: mm			
	SCALE: 2/1	SHEET: 1/2	REV: A	DWG NO.: LP11070502

Mechanical:

REV.	ECN NO.	DESCRIPTION	DATE	APPD
A	REL		2011/07/05	



NOTES:

1. Designed to support application, such as SOHO (ADSL modems), LAN-on-Motherboard (LOM), hub and Switches.
2. Meets IEEE 802.3 specification
3. Connector Materials:
 Housing: Thermoplastic UL94V-0
 Contact/Shield: Copper alloy
 Shield plating: Nickel
 Contact plating: Gold 6 micro-inches min. In contact area.
4. Wave solder tip temperature: 265°C Max
 Wave solder tip temperature time: 5 Sec Max



X:X ±0.30	APPD:	LINK-PP INT'L TECHNOLOGY CO., LIMITED
X:XX ±0.20	CHKD:	
X:XXX ±0.05	DR: TOM	TITLE: RJ45 Connector with 10/100 Base-T Integrated Magnetics & PoE
ANGLES ±1°	UNIT: mm	PART NO.: LPJ0188GDNL
	SCALE: 2/1	SHEET: 2/2
	REV: A	DWG NO.: LP11070502