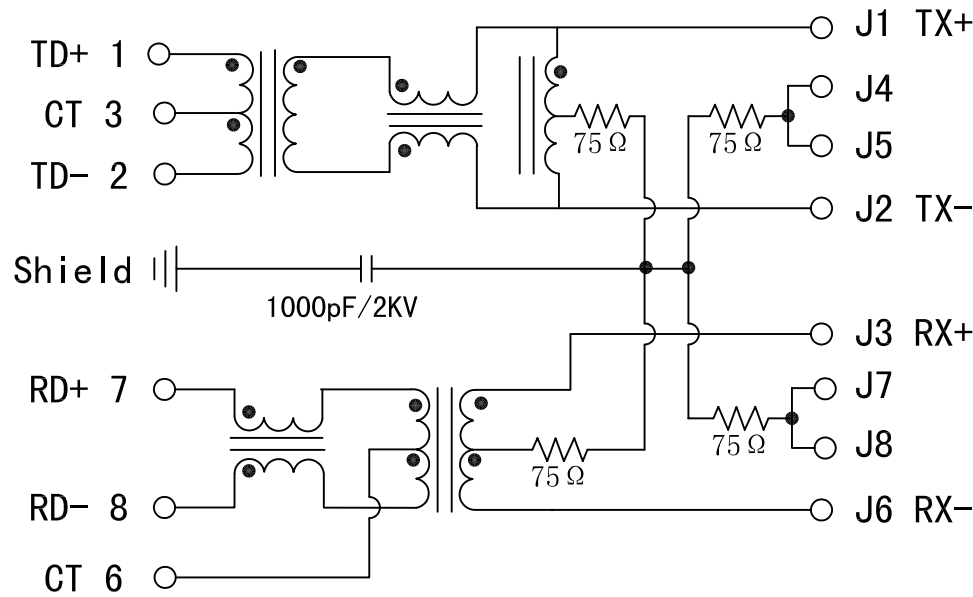


Schematic:

REV.	ECN NO.	DESCRIPTION	DATE	APPD
A	REL		31/11/2009	

LAN CHIP SIDE

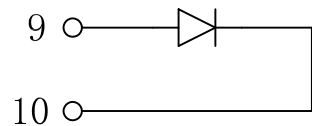


RJ CABLE SIDE

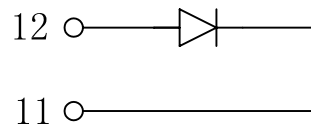
Electrical Specifications @25°C

- Turns Ratio:  
TX=1CT:1                      RX=1CT:1CT
- Inductance: 350uH MIN  
@100KHz, 100mVrms, 8 mA DC bias
- Insertion Loss:  
1~65MHz:-1.0dB MAX
- Return Loss(dB MIN):  
1~30MHz:-18                      40MHz:-16  
50MHz:-12                        60MHz:-10
- Crosstalk(dB MIN):  
30MHz:-40                        60MHz:-35  
100MHz:-30
- CMR: (dB MIN):  
30MHz:-30                        60MHz:-20  
100MHz:-20
- HI-POT: 1500V
- Operating Temperature: 0°C~70°C.

YELLOW/LEFT LED



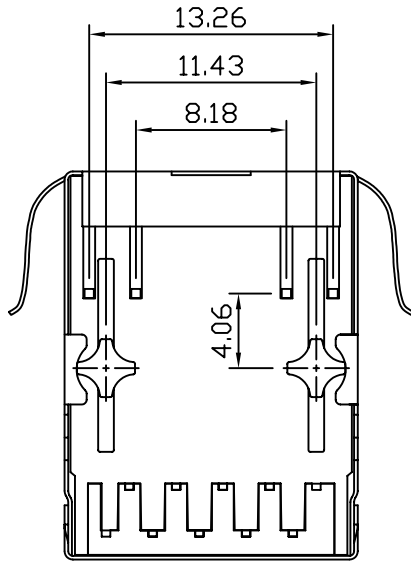
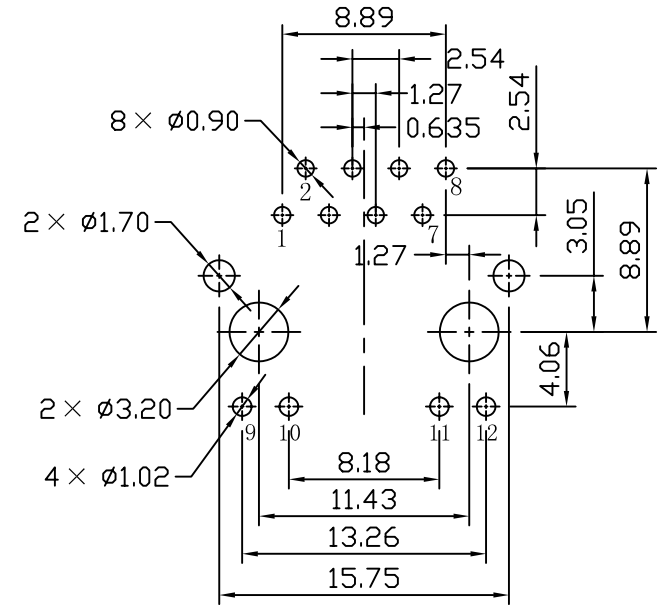
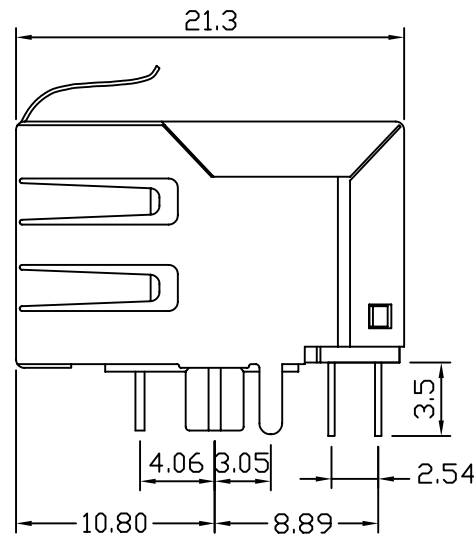
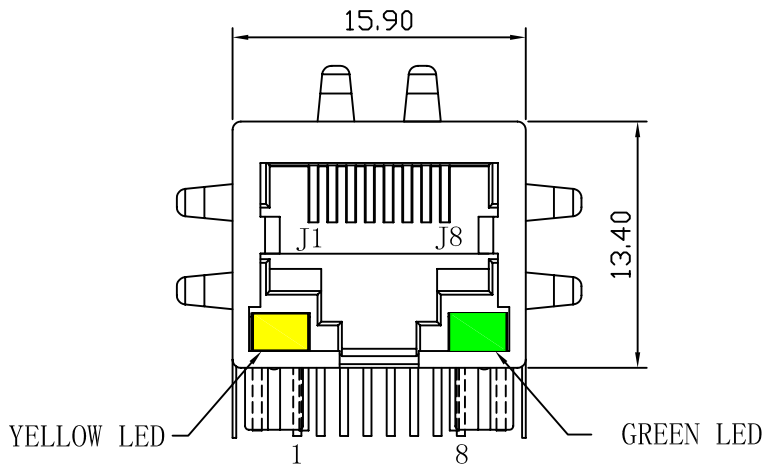
GREEN/RIGHT LED



X:X ±0.25	APPD:	LINK-PP INT'L TECHNOLOGY CO., LIMITED		
X:XX ±0.10	CHKD:	TITLE: RJ45 Connector with 10/100 Base-TX Integrated Magnetics		
X:XXX ±0.05	DR: TOM	PART NO.: LPJ0025GANL		
ANGLES ±1°	UNIT: mm			
	SCALE: 2/1	SHEET: 1/2	REV: A	DWG NO.: LP09111303

Mechanical:

REV.	ECN NO.	DESCRIPTION	DATE	APPD
A	REL		13/11/2009	



NOTES:

1. Designed to support application, such as SOHO (ADSL modems), LAN-on-Motherboard (LOM), hub and Switches.
2. Meets IEEE 802.3 specification
3. Connector Materials:  
 Housing: Thermoplastic UL94V-0  
 Contact/Shield: Copper alloy  
 Shield plating: Nickel  
 Contact plating: Gold 6 micro-inches min. In contact area.
4. Wave solder tip temperature: 265°C Max  
 Wave solder tip temperature time: 5 Sec Max

X:X	$\pm 0.25$	APPD:	LINK-PP INT'L TECHNOLOGY CO., LIMITED	
X:XX	$\pm 0.10$	CHKD:	TITLE: RJ45 Connector with 10/100 Base-TX Integrated Magnetics	
X:XXX	$\pm 0.05$	DR: TOM		
ANGLES	$\pm 1^\circ$	UNIT: mm	PART NO.: LPJ0025GANL	
	SCALE: 2/1	SHEET: 2/2	REV: A	DWG NO.: LP09111303