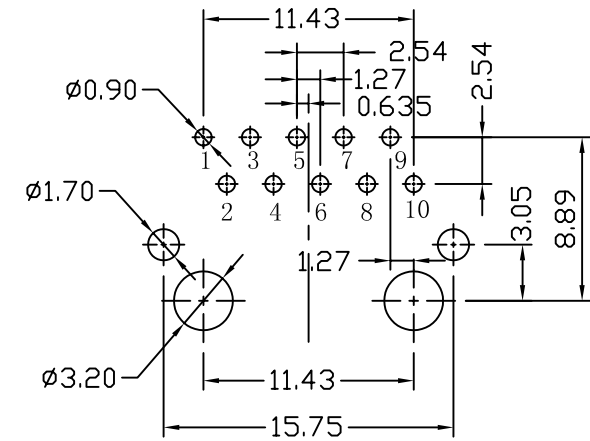
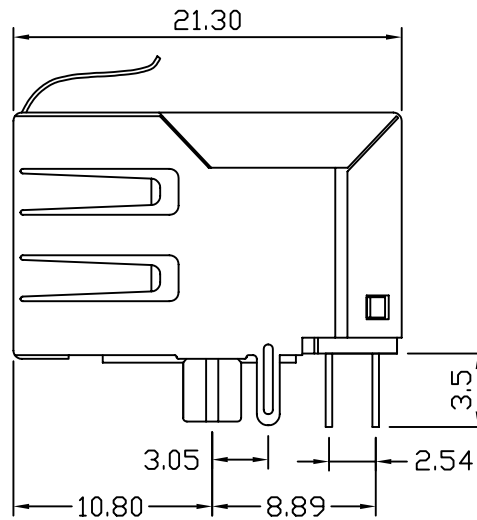
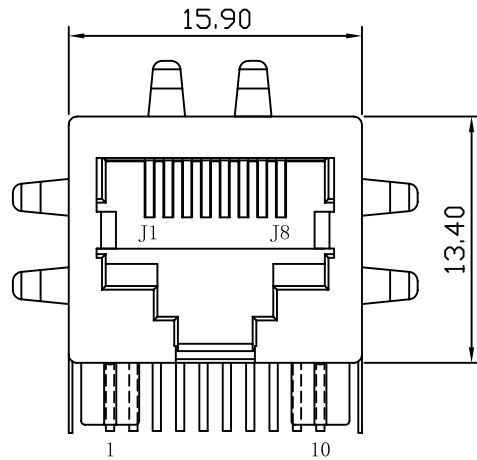
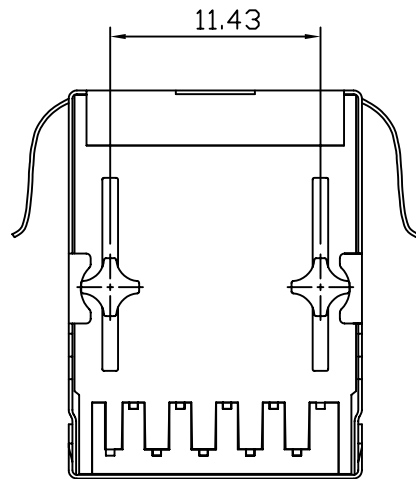


Mechanical:

| REV. | ECN NO. | DESCRIPTION | DATE | APPD |
|------|---------|-------------|------------|------|
| A | REL | | 2010/09/21 | |



SUGGESTED PCB LAYOUT (TOP VIEW)



NOTES:

1. Designed to support application, such as SOHO (ADSL modems), LAN-on-Motherboard (LOM), hub and Switches.
2. Meets IEEE 802.3 specification
3. Connector Materials:
 Housing: Thermoplastic UL94V-0
 Contact/Shield: Copper alloy
 Shield plating: Nickel
 Contact plating: Gold 6 micro-inches min. In contact area.
4. Wave solder tip temperature: 265°C Max
 Wave solder tip temperature time: 5 Sec Max

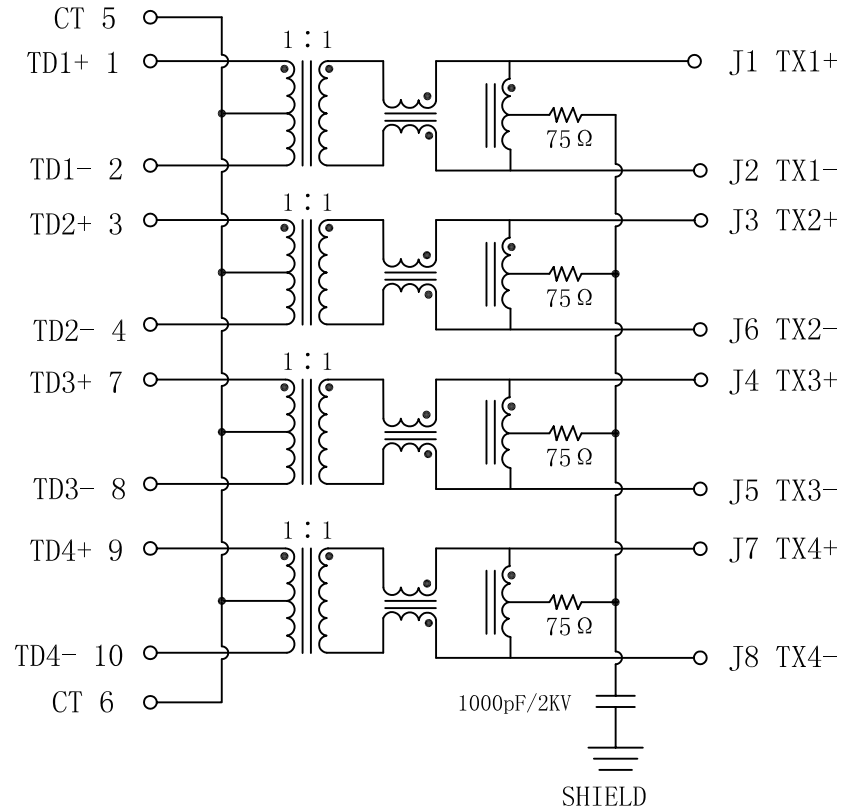


| | | | | |
|--------|------------|------------|---|--|
| X:X | ±0.30 | APPD: | LINK-PP INT'L TECHNOLOGY CO., LIMITED | |
| X:XX | ±0.20 | CHKD: | TITLE: RJ45 Connector With 1000 Base-T Integrated Magnetics | |
| X:XXX | ±0.05 | DR: TOM | PART NO.: LPJG0803CNL | |
| ANGLES | ±1° | UNIT: mm | DWG NO.: LP10092104 | |
| | SCALE: 2/1 | SHEET: 1/2 | REV: A | |

Schematic:

| REV. | ECN NO. | DESCRIPTION | DATE | APPD |
|------|---------|-------------|------------|------|
| A | REL | | 2010/09/21 | |

PCB CONNECTIONS



RJ45 CONNECTOR

Electrical Specifications @ 25°C

- Turns Ratio:
TX=1:1 RX=1:1
- INDUCTANCE(@100KHz, 100mV, 8mA DC BIAS):
J1-J2;J3-J6;J4-J5;J7-J8: 350uH min
- Insertion Loss:
1~100MHz:-1.0dB Max
- Return Loss(dB Min. load 100 Ω):
1~30MHz:-18 30~60MHz:-16
60~80MHz:-12 80~100MHz:-10
- Crosstalk:
1~100MHz:-30dB Min
- Common Mode Rejection:
1~100MHz:-30dB Min
- Isolation Voltage:1500Vrms
- Operating Temperature Range: 0°C~70°C.



| | | | | |
|--------|------------|------------|---|---------------------|
| X:X | ±0.30 | APPD: | LINK-PP INT'L TECHNOLOGY CO., LIMITED | |
| X:XX | ±0.20 | CHKD: | TITLE: RJ45 Connector With 1000 Base-T Integrated Magnetics | |
| X:XXX | ±0.05 | DR: TOM | PART NO.: LPJG0803CNL | |
| ANGLES | ±1° | UNIT: mm | | |
| | SCALE: 2/1 | SHEET: 2/2 | REV: A | DWG NO.: LP10092104 |