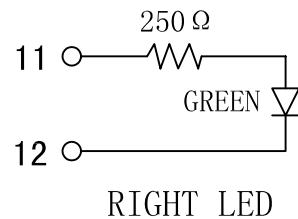
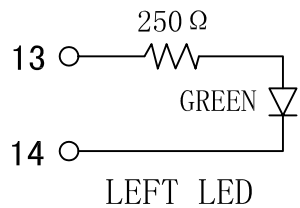
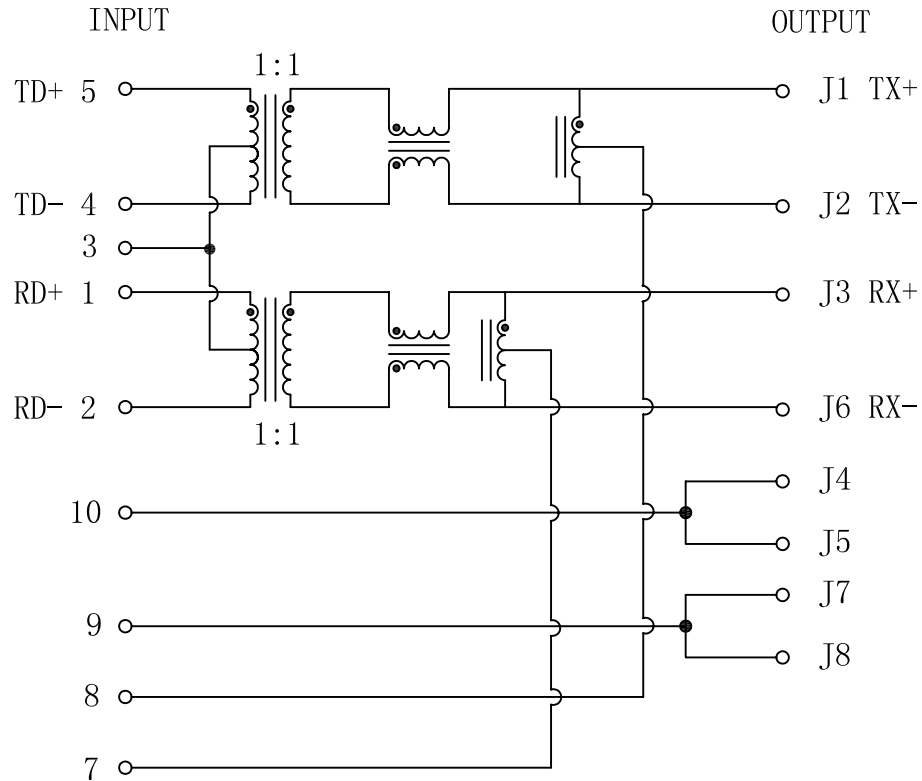


Schematic:

REV.	ECN NO.	DESCRIPTION	DATE	APPD
A	REL		2012/08/07	



ELECTRICAL SPECIFICATIONS @25°C

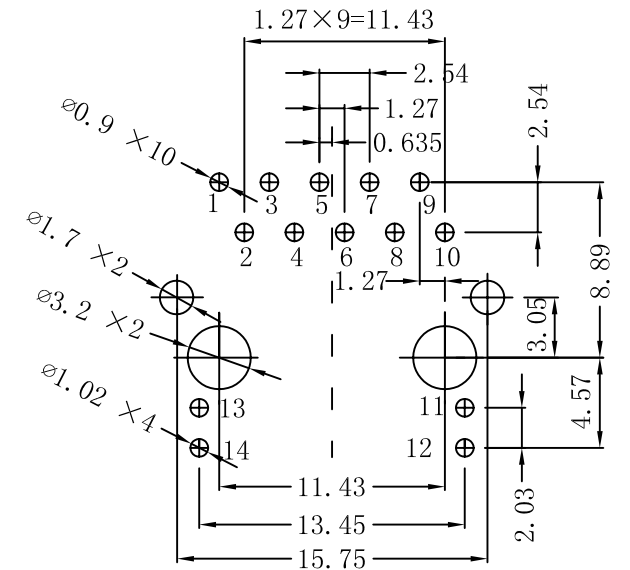
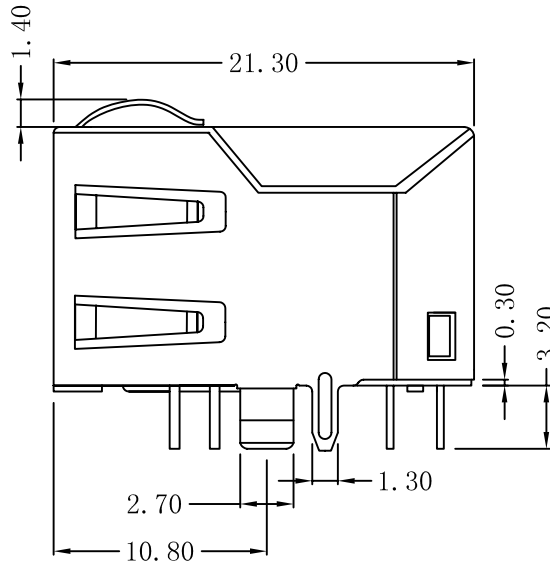
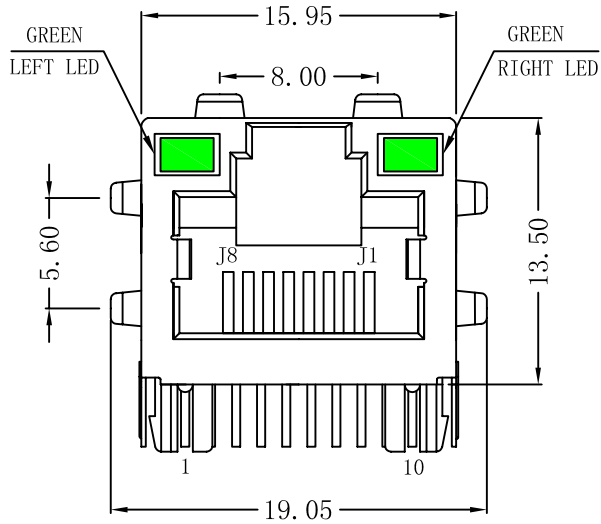
- Turn Ratio ($\pm 2\%$):
TX=1CT:1 RX=1CT:1
- Inductance OCL: 350uH MIN
@100KHz, 0.1V, 8mA DC Bias
- Insertion Loss:
-1.0dB MAX @ 1.0-65MHz
- Return Loss:
-20dB MIN @ 1-10MHz
-16dB MIN @ 10-30MHz
-12dB MIN @ 30-60MHz
-10dB MIN @ 60-100MHz
- Cross talk:
-40dB MIN @ 1-30MHz
-35dB MIN @ 30-60MHz
-30dB MIN @ 60-100MHz
- Common Mode Rejection:
-30dB MIN @ 1-50MHz
-20dB MIN @ 50-150MHz
- Hipot Test: 1500Vrms MIN
- Operating Temperature Range: 0°C TO 70°C



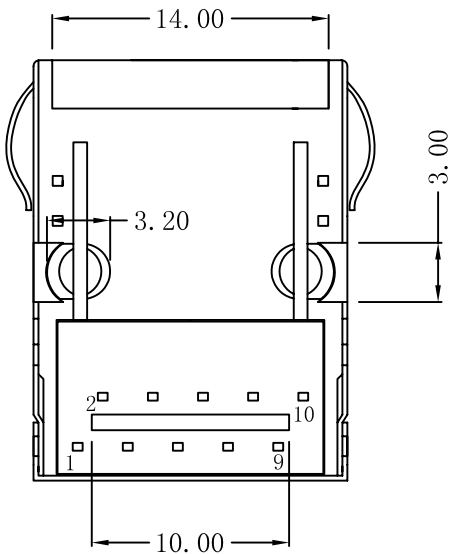
X:X	± 0.20	APPD:	LINK-PP INT'L TECHNOLOGY CO., LIMITED	
X:XX	± 0.10	CHKD:	TITLE.: RJ45 Connector With 10/100 Base-TX Integrated Magnetic TAB-UP & PoE	
X:XXX	± 0.05	DR: TOM	PART NO.: LPJ16175AZNL	
ANGLES	$\pm 1^\circ$	UNIT: mm		
	SCALE: 2/1	SHEET: 1/2	REV: A	DWG NO: LP12080706

Mechanical:

REV.	ECN NO.	DESCRIPTION	DATE	APPD
A	REL		2012/08/07	



SUGGESTED PCB LAYOUT(TOP VIEW)



NOTES:

1. Designed to support application, such as SOHO (ADSL modems), LAN-on-Motherboard (LOM), hub and Switches.
2. Meets IEEE 802.3 specification
3. Connector Materials:
 Housing: Thermoplastic UL94V-0
 Contact/Shield: Copper alloy
 Shield plating: Nickel
 Contact plating: Gold 6 micro-inches min. In contact area.
4. Wave solder tip temperature: 265°C Max
 Wave solder tip temperature time: 5 Sec Max



X:X	±0.20	APPD:	LINK-PP INT'L TECHNOLOGY CO., LIMITED	
X:XX	±0.10	CHKD:	TITLE.: RJ45 Connector With 10/100 Base-TX Integrated Magnetic TAB-UP & PoE	
X:XXX	±0.05	DR: TOM	PART NO.: LPJ16175AZNL	
ANGLES	±1°	UNIT: mm		
	SCALE: 2/1	SHEET: 2/2	REV: A	DWG NO: LP12080706