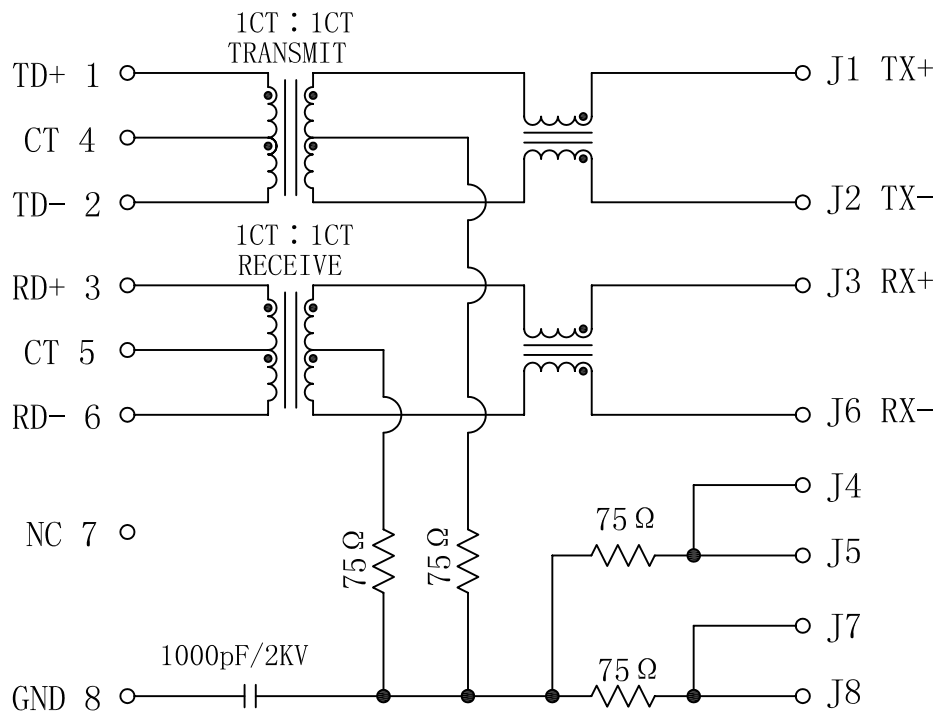


Schematic:

REV.	ECN NO.	DESCRIPTION	DATE	APPD
A	REL		2011/01/24	

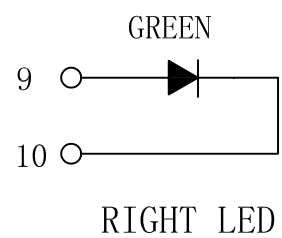
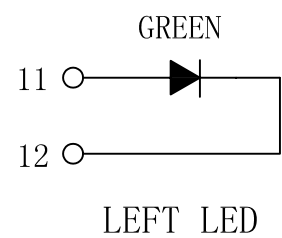
PCB SIDE TO PHY



CABLE SIDE

ELECTRICAL SPECIFICATIONS @25°C

- Turn Ratio ($\pm 2\%$):
TX=1CT : 1CT RX=1CT : 1CT
- Inductance OCL: 350uH MIN
@100KHz, 0.1V, 8mA DC Bias
- Insertion Loss:
-1.1dB MAX @ 0.1~100MHz
- Return Loss:
-18dB MIN @ 0.5~30MHz
-15.5dB MIN @ 40MHz
-13.6dB MIN @ 50MHz
-12dB MIN @ 60~80MHz
- Cross talk:
-40dB TYP @ 0.1~100MHz
- Common Mode Rejection:
-50dB TYP @ 0.1~30MHz
-40dB TYP @ 30~60MHz
-35dB TYP @ 60~100MHz
- Hipot Test: 1500Vrms MIN
- Operating Temperature: 0°C ~ 70°C.



X:X	±0.20	APPD:	LINK-PP INT'L TECHNOLOGY CO., LIMITED	
X:XX	±0.10	CHKD:	Title: Vertical RJ45 Connector With 10/100 Magnetic	
X:XXX	±0.05	DR: TOM	PART NO.: LPJD1011BFNL	
ANGLES	±1°	UNIT: mm		
	SCALE: 2/1	SHEET: 1/2	REV: A	LP11012409

