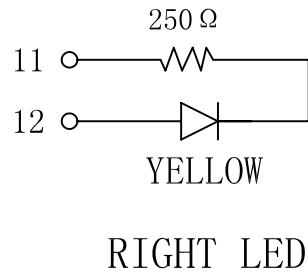
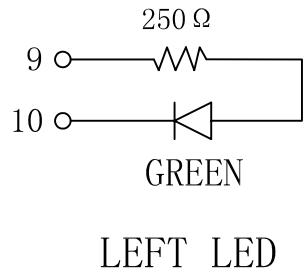
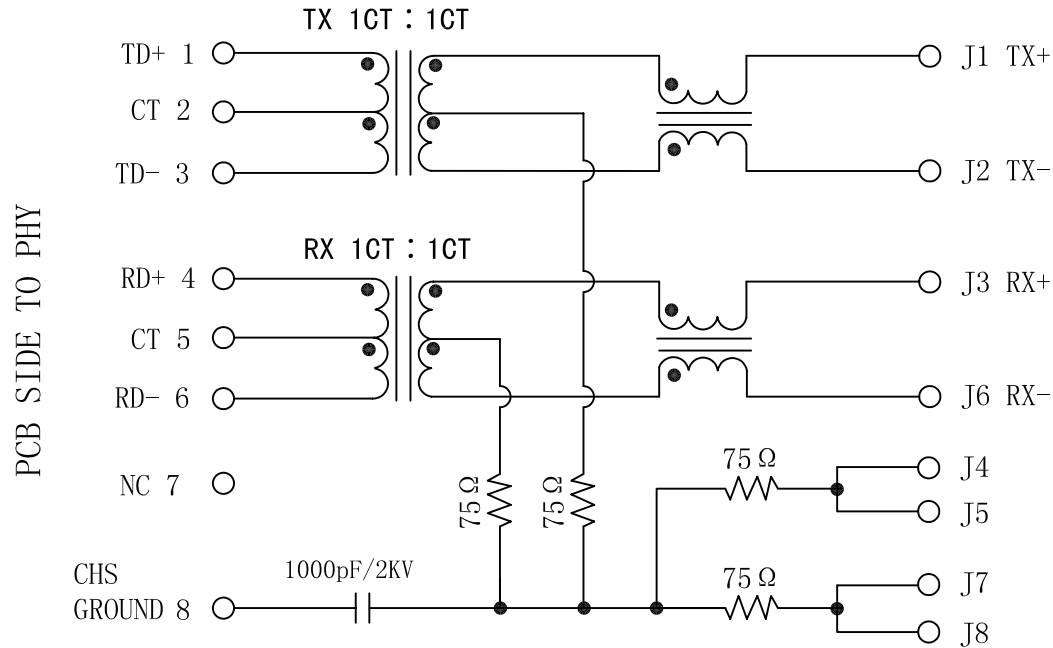


Schematic:

REV.	ECN NO.	DESCRIPTION	DATE	APPD
A	REL		2010/09/24	



Electrical Specifications @25°C

- Turns Ratio ($\pm 2\%$):
TX=1CT : 1CT RX=1CT : 1CT
- Inductance (100KHz, 100mVrms, 8mA DC Bias):
350uH Min
- Insertion Loss:
0.1-100MHz: -1.0dB Max
- Return Loss (dB Min):
1-30MHz: -18 40MHz: -16
50MHz: -14 60-80MHz: -12
- Crosstalk (dB Min):
30MHz: -45 60MHz: -40
100MHz: -35
- CMR (dB Min):
30MHz: -35 60MHz: -30
100MHz: -25
- Hipot: 1500Vrms Min
- Operating Temperature 0°C ~ 70°C.

X:X ±0.25	APPD:	LINK-PP INT'L TECHNOLOGY CO., LIMITED		
X:XX ±0.20	CHKD:	TITLE: RJ45 Connector with 10/100 Base-T Integrated Magnetics		
X:XXX ±0.05	DR: TOM	PART NO.: LPJ0012A73NL		
ANGLES ±1°	UNIT: mm	DWG NO.: LP10092408		
	SCALE: 2/1	SHEET: 1/2	REV: A	

