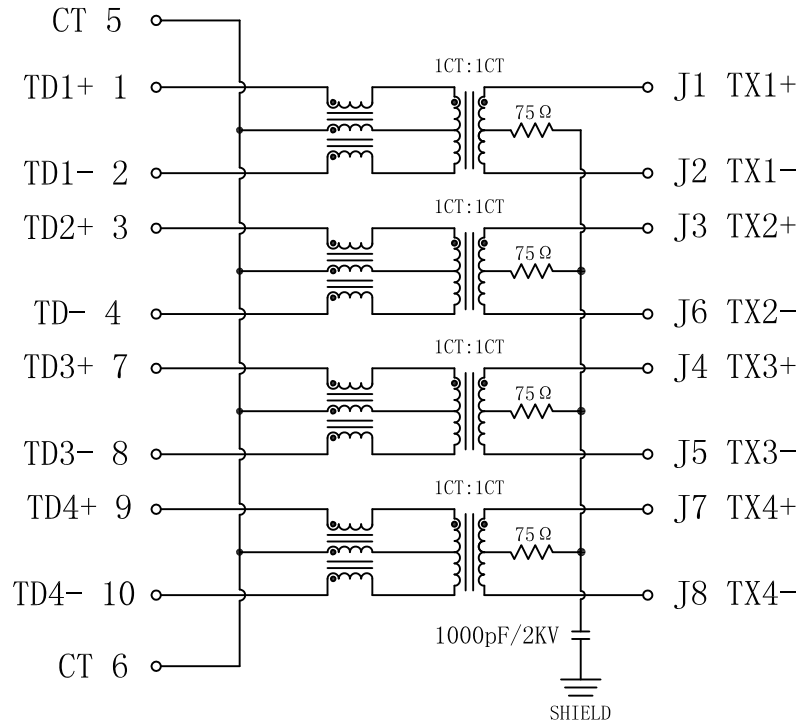


Schematic:

REV.	ECN NO.	DESCRIPTION	DATE	APPD
A	REL		2014/06/11	

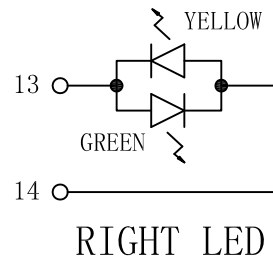
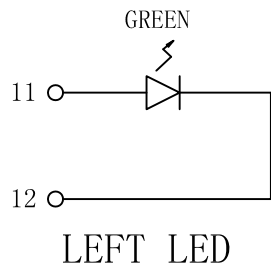
PCB CONNECTIONS



RJ45 CONNECTOR

Electrical Specifications @ 25°C

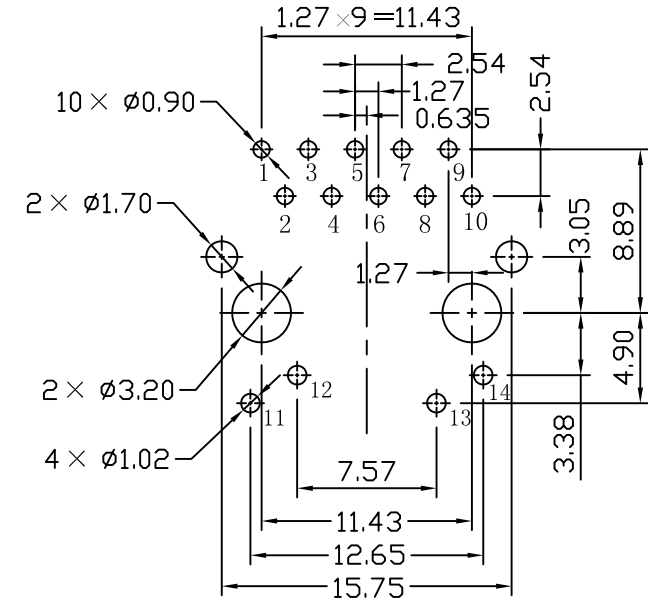
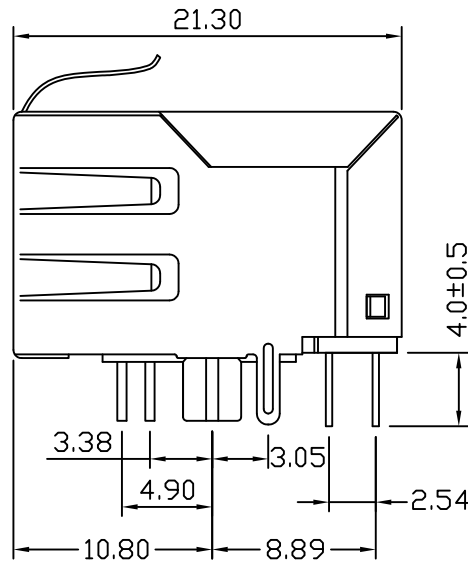
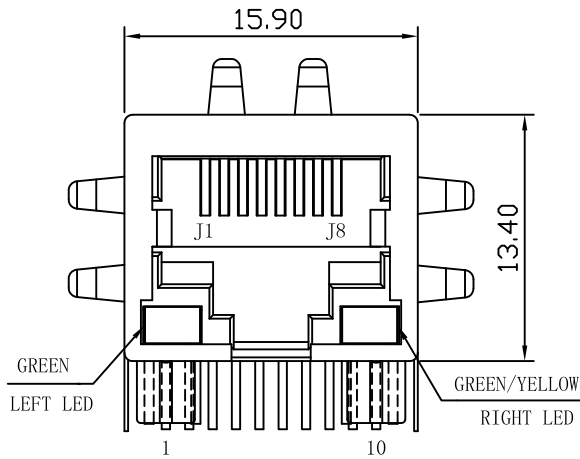
- Turns Ratio ( $\pm 5\%$ ):  
1CT : 1CT
- INDUCTANCE (@100KHz, 100mV, 8mA DC BIAS):  
J1-J2; J3-J6; J4-J5; J7-J8: 350uH min
- Insertion Loss:  
1~100MHz: -1.0dB Max  
100~125MHz: -1.2dB Max
- Return Loss (dB Min. load 100Ω):  
1~30MHz: -18                      30~60MHz: -16  
60~80MHz: -12                    80~100MHz: -10
- Crosstalk (dB Min):  
1~100MHz: -30
- Common Mode Rejection (dB Min):  
1~100MHz: -30
- Isolation Voltage: 1500Vrms
- Operating Temperature Range: 0°C ~ 70°C.



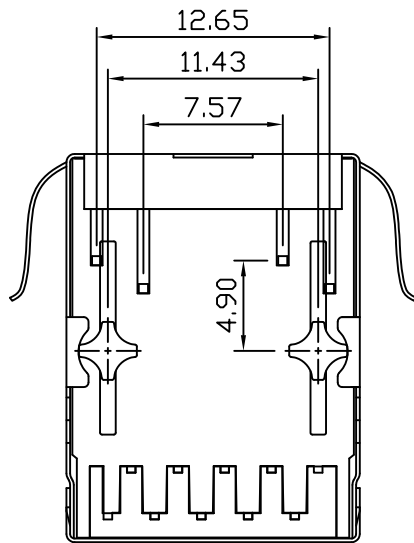
X:X	$\pm 0.30$	APPD:	LINK-PP INT'L TECHNOLOGY CO., LIMITED	
X:XX	$\pm 0.20$	CHKD:	TITLE: RJ45 Connector with 1000 Base-T Integrated Magnetics	
X:XXX	$\pm 0.05$	DR: TOM	PART NO.: LPJG0808A32NL	
ANGLES	$\pm 1^\circ$	UNIT: mm		
	SCALE: 2/1	SHEET: 1/2	REV: A	DWG NO.: LP14070702

# Mechanical:

REV.	ECN NO.	DESCRIPTION	DATE	APPD
A	REL		2014/07/07	



SUGGESTED PCB LAYOUT(TOP VIEW)



## NOTES:

1. Designed to support application, such as SOHO (ADSL modems), LAN-on-Motherboard (LOM), hub and Switches.
2. Meets IEEE 802.3 specification
3. Connector Materials:  
 Housing: Thermoplastic UL94V-0  
 Contact/Shield: Copper alloy  
 Shield plating: Nickel  
 Contact plating: Gold 6 micro-inches min. In contact area.
4. Wave solder tip temperature: 265°C Max  
 Wave solder tip temperature time: 5 Sec Max



X:X	±0.30	APPD:	LINK-PP INT'L TECHNOLOGY CO., LIMITED	
X:XX	±0.20	CHKD:	TITLE: RJ45 Connector with 1000 Base-T Integrated Magnetics	
X:XXX	±0.05	DR: TOM	PART NO.: LPJG0808A32NL	
ANGLES	±1°	UNIT: mm	DWG NO.: LP14070702	
	SCALE: 2/1	SHEET: 2/2	REV: A	