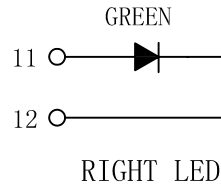
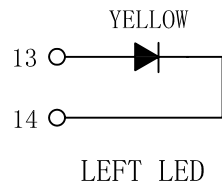
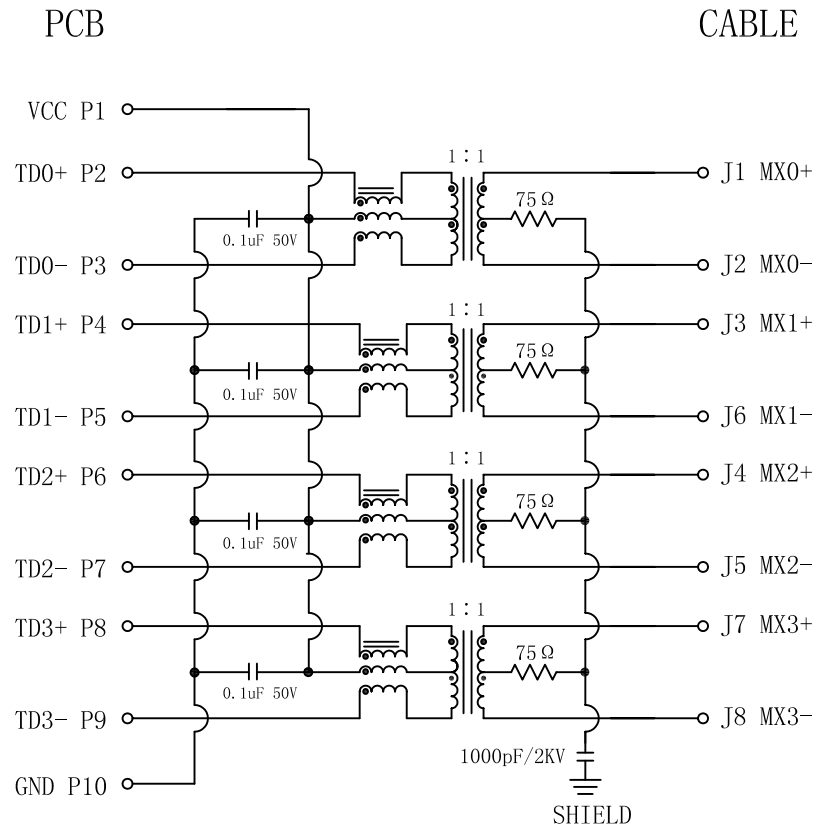


# Schematic:

REV.	ECN NO.	DESCRIPTION	DATE	APPD
A	REL		2010/12/07	



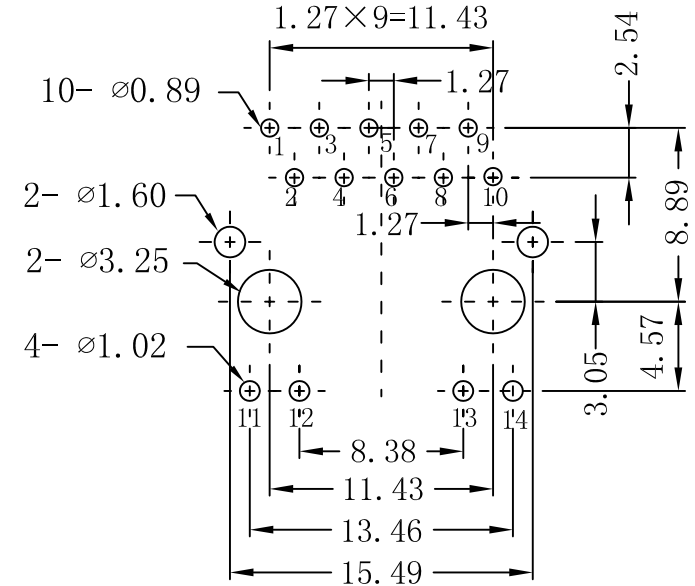
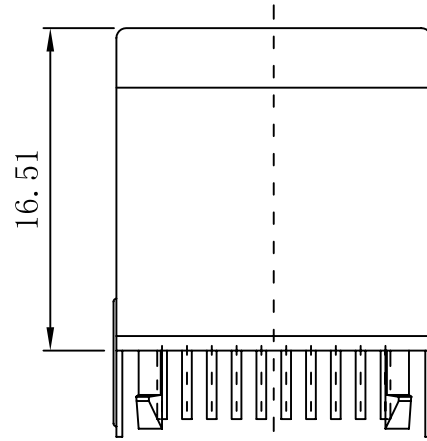
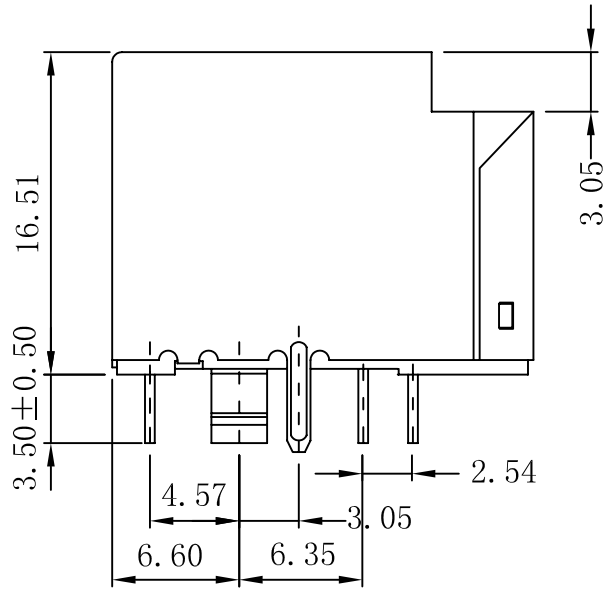
## ELECTRICAL SPECIFICATIONS@25°C

- Turn Ratio ( $\pm 2\%$ ):  
TX=1 : 1      RX=1 : 1
- Inductance OCL: 350uH Min  
@100KHz, 0.1V, 8mA DC Bias
- Insertion Loss:  
0.5-100MHz:-1.1dB Max
- Return Loss(dB Min):  
0.5-40MHz:-18  
40.1-100MHz:-[12-20LOG(f/80)]
- Cross talk(dB Min):  
0.5-40MHz:-35  
40.1-100MHz:-[33-20LOG(f/50)]
- Common Mode Rejection RATIO(CMRR):  
0.5-100MHz:-30dB Min
- Hipot Test: 1500Vrms Min
- Operating Temperature Range: 0°C TO 70°C

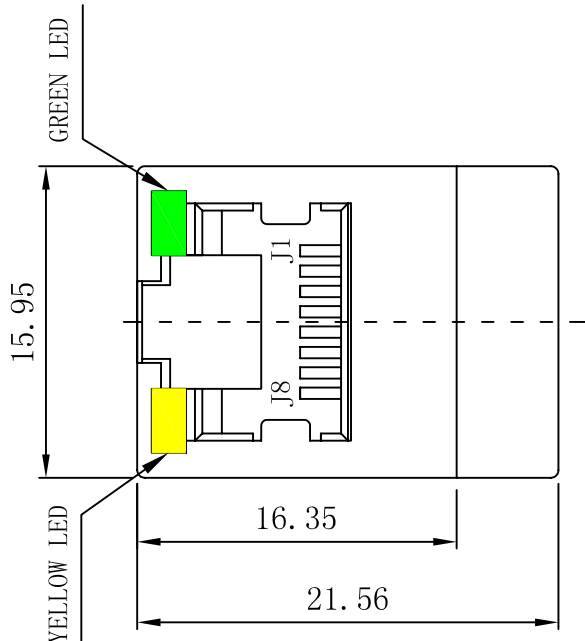
X:X	$\pm 0.20$	APPD:	LINK-PP INT'L TECHNOLOGY CO., LIMITED
X:XX	$\pm 0.10$	CHKD:	
X:XXX	$\pm 0.05$	DR: TOM	Title: Vertical RJ45 Connector With 1000 Magnetic
ANGLES	$\pm 1^\circ$	UNIT: mm	PART NO.: LPJD0711BDNL
	SCALE: 2/1	SHEET: 1/2	REV: A
			LP10120705

# Mechanical :

REV.	ECN NO.	DESCRIPTION	DATE	APPD
A	REL		2010/12/07	



SUGGESTED PCB LAYOUT (TOP VIEW)



## NOTES:

1. Designed to support application, such as SOHO (ADSL modems), LAN-on-Motherboard (LOM), hub and Switches.
2. Meets IEEE 802.3 specification
3. Connector Materials:  
 Housing: Thermoplastic UL94V-0  
 Contact/Shield: Copper alloy  
 Shield plating: Nickel  
 Contact plating: Gold 6 micro-inches min. In contact area.
4. Wave solder tip temperature: 260°C  
 Wave solder tip temperature time: 5 Sec Max



X:X	±0.20	APPD:	LINK-PP INT'L TECHNOLOGY CO., LIMITED
X:XX	±0.10	CHKD:	
X:XXX	±0.05	DR: TOM	Title: Vertical RJ45 Connector With 1000 Magnetic
ANGLES	±1°	UNIT: mm	PART NO.: LPJD0711BDNL
	SCALE: 2/1	SHEET: 2/2	REV: A DWG NO.: LP10120705