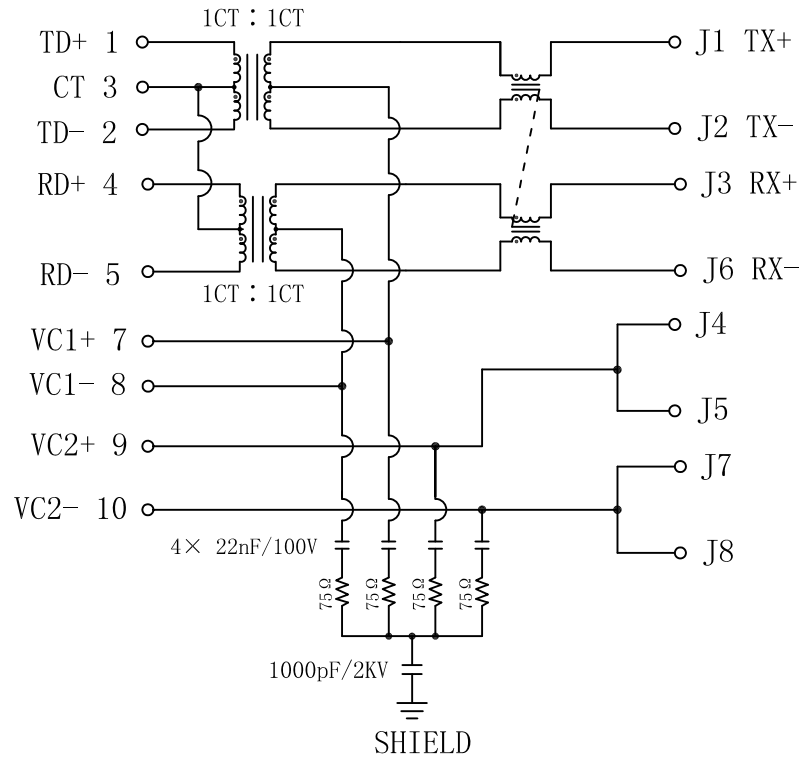


Schematic:

REV.	ECN NO.	DESCRIPTION	DATE	APPD
A	REL		2014-07-21	

PC BOARD CONNECTIONS



RJ45 CONNECTOR

Electrical Specifications @25°C

- Inductance (100KHz, 0.1V, 18mADC):
350uH Min
- Turns Ratio ($\pm 2\%$):
TX=1CT:1CT RX=1CT:1CT
- Insertion Loss:
1-100MHz: -1.0 dB Max
- Return Loss (dB Min):
1-30MHz: -18 30-45MHz: -16
45-60MHz: -14 60-80MHz: -12
- Crosstalk:
1-100MHz: -30dB Typ
- Common Mode Rejection:
1-100MHz: -30dB Min
- Hipot: 1500Vrms Min @60Hz
- Operating Temperature: 0°C ~ 70°C.



X:X	± 0.30	APPD:	LINK-PP INT'L TECHNOLOGY CO., LIMITED	
X:XX	± 0.25	CHKD:	TITLE: RJ45 Connector with 10/100 Base-T Integrated Magnetics For PoE Application	
X:XXX	± 0.05	DR: TOM	PART NO.: LPJ0162CNL	
ANGLES	$\pm 1^\circ$	UNIT: mm		
	SCALE: 2/1	SHEET: 2/2	REV: A	DWG NO.: LP14072140

