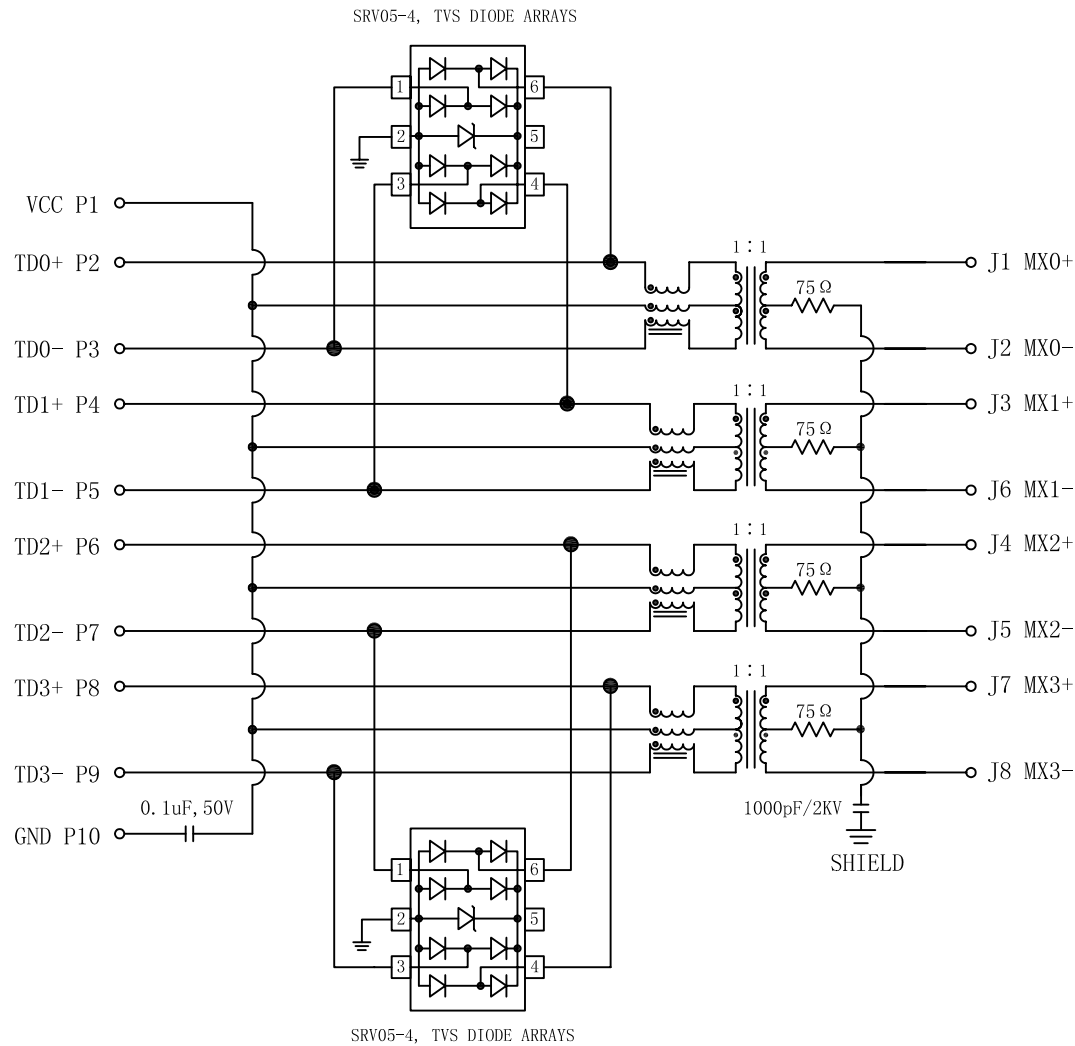


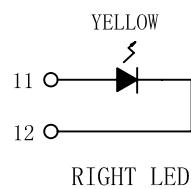
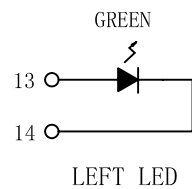
Schematic:

REV.	ECN NO.	DESCRIPTION	DATE	APPD
A	REL		2012/05/04	



ELECTRICAL SPECIFICATIONS@25°C

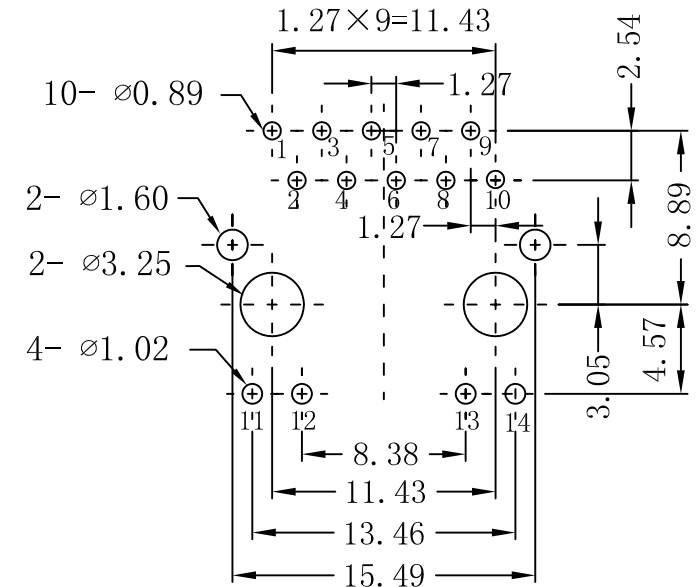
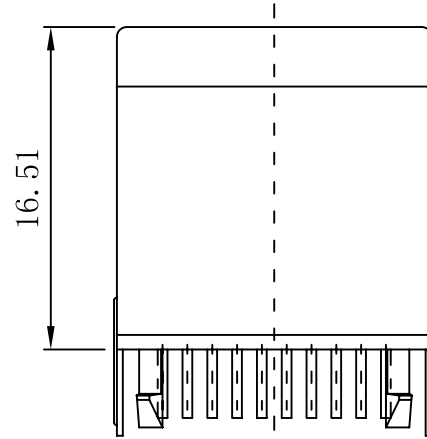
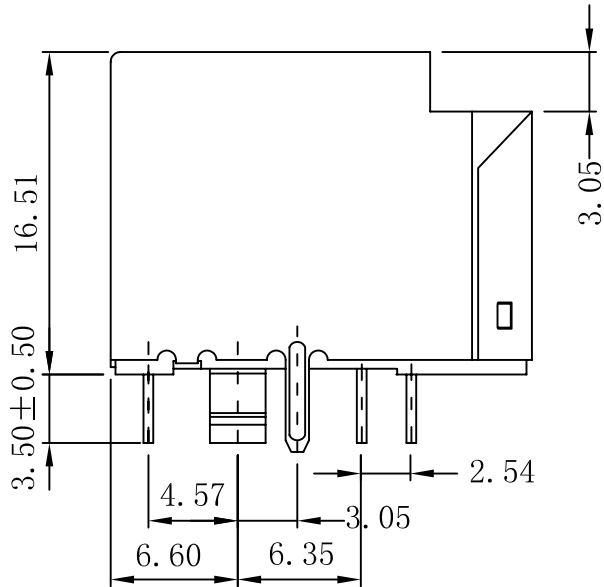
1. Turn Ratio: 1 : 1
2. Inductance OCL: 350uH Min @100KHz, 0.1V, 8mA DC Bias From -40°C TO +85°C, all four pairs
3. Insertion Loss:
0.5-100MHz:-1.1dB Max
4. Return Loss(dB Min) :
0.5-40MHz:-18
40.1-100MHz:-[12-20LOG(f/80)]
5. Cross talk(dB Min) :
0.5-40MHz:-35
40.1-100MHz:-[33-20LOG(f/50)]
6. Common Mode Rejection RATIO(CMRR) :
0.5-100MHz:-30dB Min
7. Hipot Test: 1500Vrms Min
8. Operating Temperature Range: -40°C TO +85°C



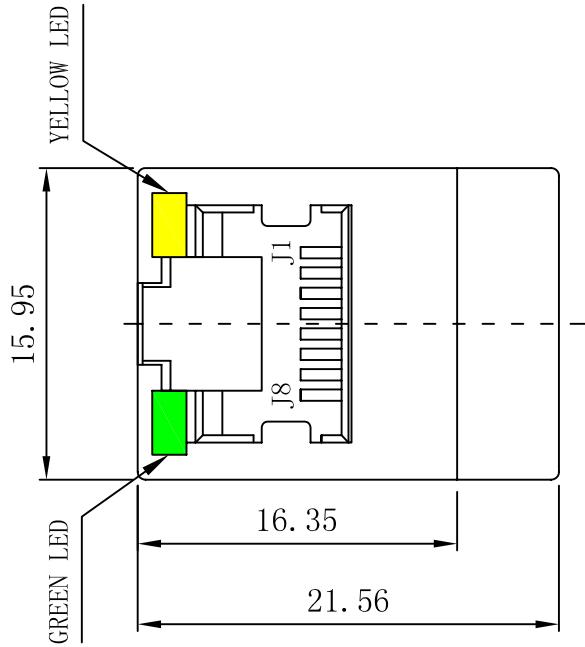
X:X	±0.20	APPD:	LINK-PP INT'L TECHNOLOGY CO., LIMITED
X:XX	±0.10	CHKD:	
X:XXX	±0.05	DR: TOM	Title: Vertical RJ45 Connector With 1000 Magnetic
ANGLES	±1°	UNIT: mm	PART NO. : LPJD4709BENL
	SCALE: 2/1	SHEET: 1/2	REV: A
			LP12050404

Mechanical :

REV.	ECN NO.	DESCRIPTION	DATE	APPD
A	REL		2012/05/04	



SUGGESTED PCB LAYOUT (TOP VIEW)



NOTES:

1. Designed to support application, such as SOHO (ADSL modems), LAN-on-Motherboard (LOM), hub and Switches.
2. Meets IEEE 802.3 specification
3. Connector Materials:
 Housing: Thermoplastic UL94V-0
 Contact/Shield: Copper alloy
 Shield plating: Nickel
 Contact plating: Gold 6 micro-inches min. In contact area.
4. Wave solder tip temperature: 260°C
 Wave solder tip temperature time: 5 Sec Max



X:X	±0.20	APPD:	LINK-PP INT'L TECHNOLOGY CO., LIMITED
X:XX	±0.10	CHKD:	
X:XXX	±0.05	DR: TOM	Title: Vertical RJ45 Connector With 1000 Magnetic
ANGLES	±1°	UNIT: mm	PART NO.: LPJD4709BENL
	SCALE: 2/1	SHEET: 2/2	REV: A DWG NO.: LP12050404