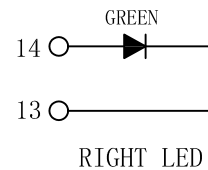
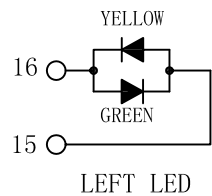
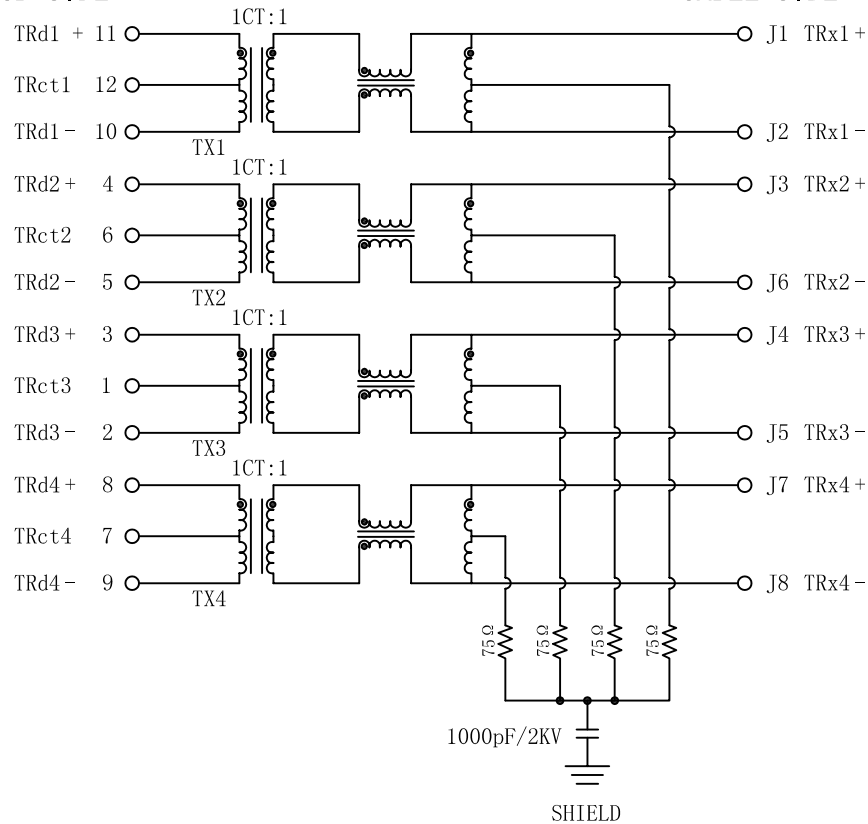


# Schematic:

REV.	ECN NO.	DESCRIPTION	DATE	APPD
A	REL		2012/08/14	

## PCB SIDE

## CABLE SIDE



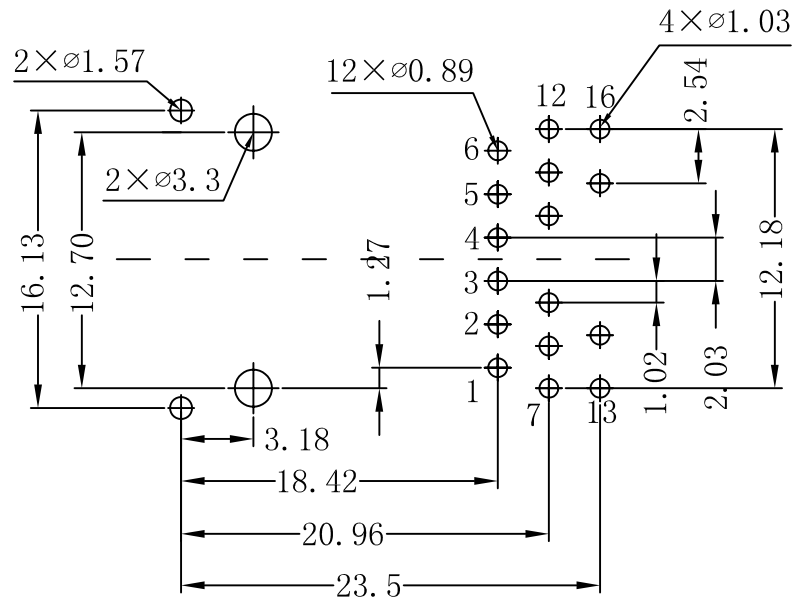
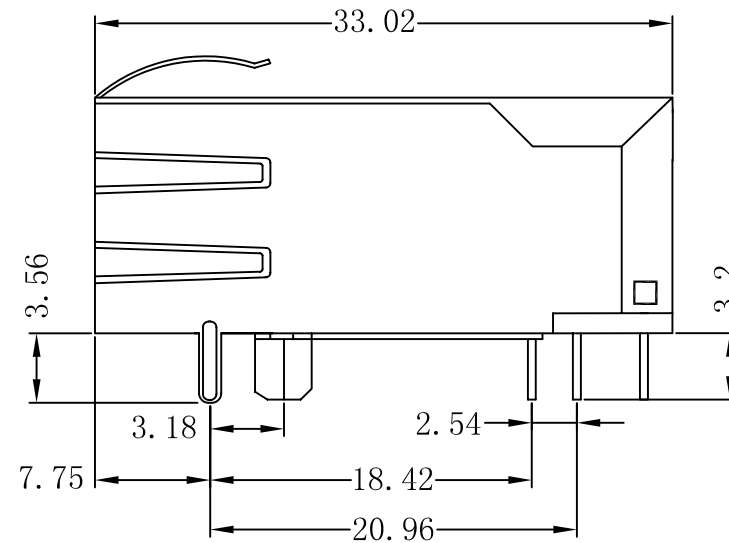
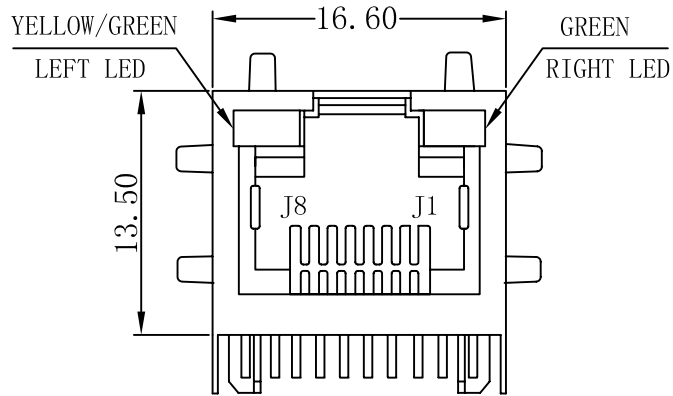
## Electrical Specifications @25°C

- Turns Ratio ( $\pm 2\%$ ):  
TX=1CT : 1      RX=1CT : 1
- Insertion Loss:  
1-100MHz: -1.0dB max
- Return Loss (dB min):  
1-10MHz: -20      30MHz: -16  
60-80MHz: -12      80-100MHz: -10
- Crosstalk (dB min):  
1-10MHz: -40      32-65MHz: -35  
65-100MHz: -30
- CMR (dB min):  
1-125MHz: -30      125-500MHz: -20
- Hipot: 1500Vrms @60Hz
- OCL: 350uH min  
@100KHz/0.1Vrms 8mA DC BIAS
- Operating Temperature: 0°C ~ 70°C.

X:X	$\pm 0.20$	APPD:	LINK-PP INT'L TECHNOLOGY CO., LIMITED
X:XX	$\pm 0.10$	CHKD:	
X:XXX	$\pm 0.05$	DR: TOM	Title: RJ45 Connector with 1000 Base-TX Integrated Magnetic
ANGLES	$\pm 1^\circ$	UNIT: mm	PART NO.: LPJK0071AINL
	SCALE: 2/1	SHEET: 1/2	REV: A      DWG NO.: LP12081406

# Mechanical:

REV.	ECN NO.	DESCRIPTION	DATE	APPD
A	REL		2012/08/14	



SUGGESTED PCB LAYOUT (TOP VIEW)

## NOTES:

1. Designed to support application, such as SOHO (ADSL modems), LAN-on-Motherboard (LOM), hub and Switches.
2. Meets IEEE 802.3 specification
3. Connector Materials:  
 Housing: Thermoplastic UL94V-0  
 Contact/Shield: Copper alloy  
 Shield plating: Nickel  
 Contact plating: Gold 6 micro-inches min. In contact area.
4. Wave solder tip temperature: 265°C Max  
 Wave solder tip temperature time: 5 Sec Max



X:X	±0.20	APPD:	LINK-PP INT'L TECHNOLOGY CO., LIMITED
X:XX	±0.10	CHKD:	
X:XXX	±0.05	DR: TOM	Title: RJ45 Connector with 1000 Base-TX Integrated Magnetic
ANGLES	±1°	UNIT: mm	PART NO.: LPJK0071AINL
	SCALE: 2/1	SHEET: 2/2	REV: A
			DWG NO.: LP12081406