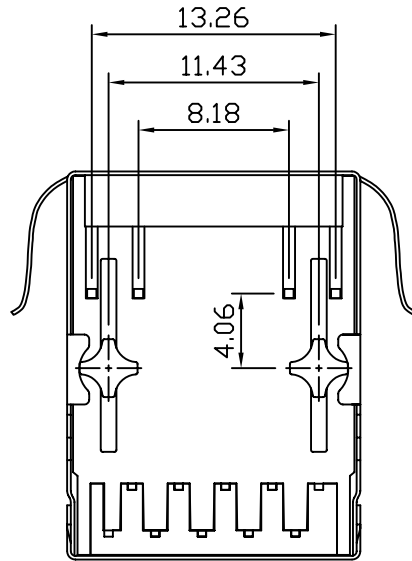
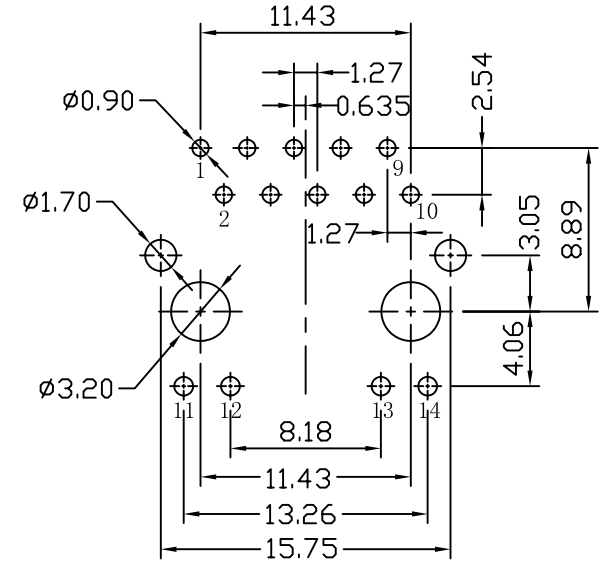
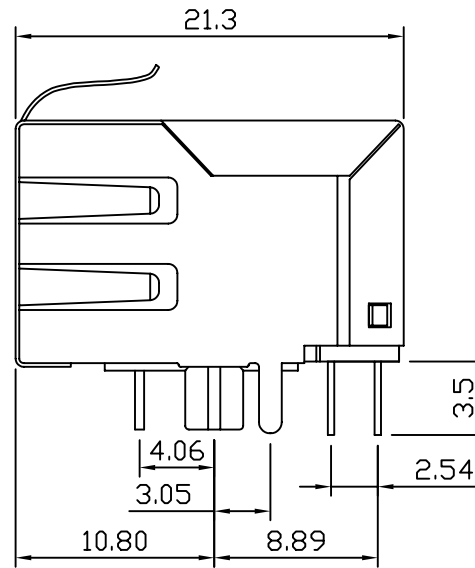
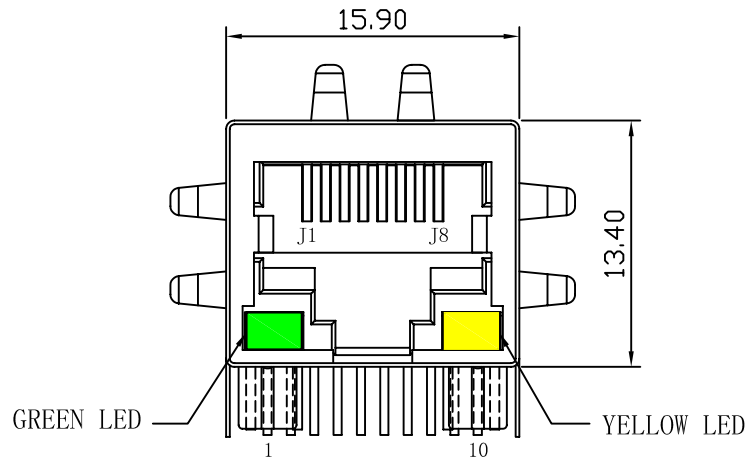


Mechanical:

REV.	ECN NO.	DESCRIPTION	DATE	APPD
A	REL		2010/08/05	



NOTES:

1. Designed to support application, such as SOHO (ADSL modems), LAN-on-Motherboard (LOM), hub and Switches.
2. Meets IEEE 802.3 specification
3. Connector Materials:
 Housing: Thermoplastic UL94V-0
 Contact/Shield: Copper alloy
 Shield plating: Nickel
 Contact plating: Gold 6 micro-inches min. In contact area.
4. Wave solder tip temperature: 265°C Max
 Wave solder tip temperature time: 5 Sec Max

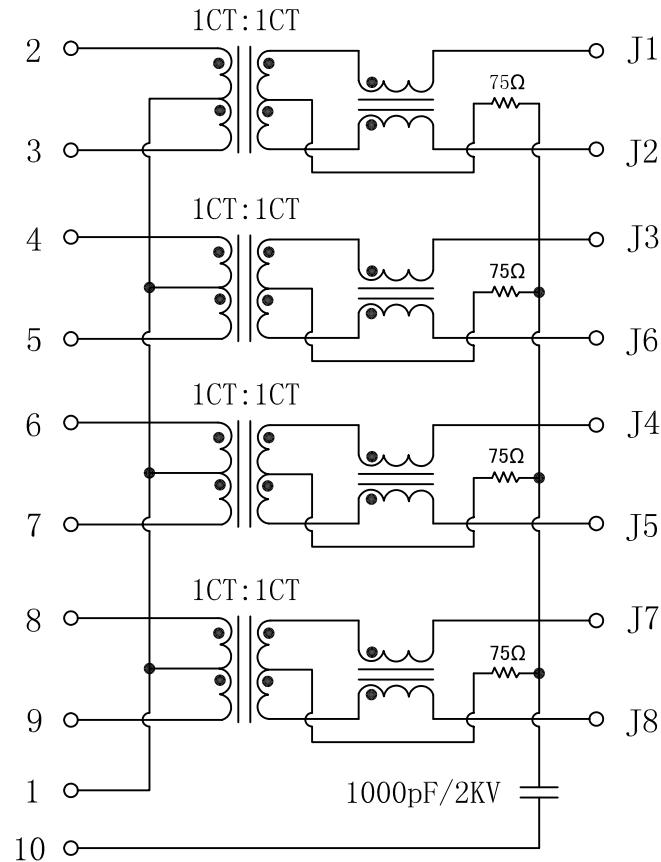


X:X	± 0.30	APPD:	LINK-PP INT'L TECHNOLOGY CO., LIMITED	
X:XX	± 0.20	CHKD:	TITLE: RJ45 Connector with 1000 Base-T Integrated Magnetics	
X:XXX	± 0.05	DR: TOM	PART NO.: LPJG0820GENL	
ANGLES	$\pm 1^\circ$	UNIT: mm	DWG NO.: LP10080502	
	SCALE: 2/1	SHEET: 1/2	REV: A	

Schematic:

REV.	ECN NO.	DESCRIPTION	DATE	APPD
A	REL		2010/08/05	

PCB CONNECTIONS

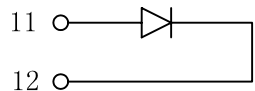


RJ45 CONNECTOR

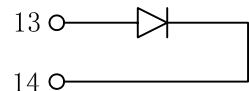
Electrical Specifications @ 25°C
unless otherwise noted:

- Inductance:
350uH min, 100KHz, 100mV, 8mADC,
J1-J2; J3-J6; J4-J5; J7-J8, LP.
- Return Loss (dB Min):
1-40MHz: -18 40-60MHz: -14
60-80MHz: -12 80-100MHz: -10
- Crosstalk:
1-100MHz: -30dB Min
- Insertion Loss:
1-100MHz: -1.0dB Max
- CMR:
1-100MHz: -35dB Min
- Turns Ratio:
TX=1CT:1CT RX=1CT:1CT
- Isolation Voltage: 1500V/60HZ
- Operating Temperature Range: 0°C-70°C.

GREEN/LEFT LED



YELLOW/RIGHT LED



X:X ±0.30	APPD:	LINK-PP INT'L TECHNOLOGY CO., LIMITED
X:XX ±0.20	CHKD:	
X:XXX ±0.05	DR: TOM	TITLE: RJ45 Connector with 1000 Base-T Integrated Magnetics
ANGLES ±1°	UNIT: mm	PART NO.: LPJG0820GENL
	SCALE: 2/1	SHEET: 2/2
	REV: A	DWG NO.: LP10080502