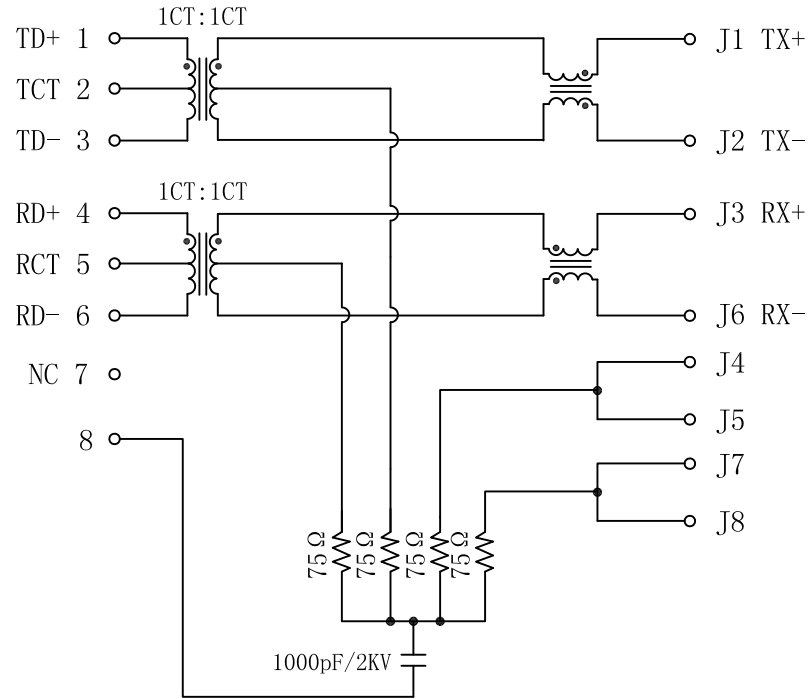


# Schematic:

REV.	ECN NO.	DESCRIPTION	DATE	APPD
A	REL		2014/03/21	

PCB CONNECTIONS



RJ45 CONNECTOR

## Electrical Specifications @25°C

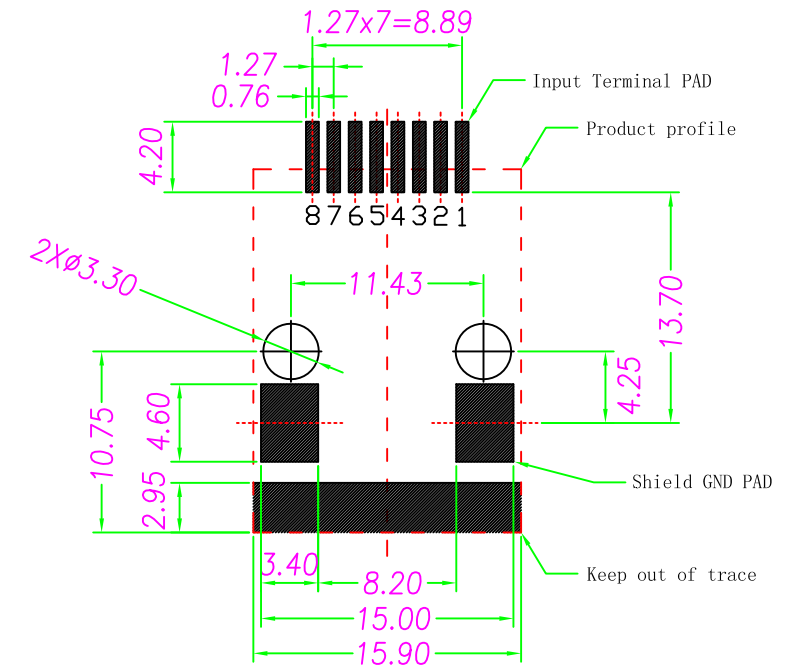
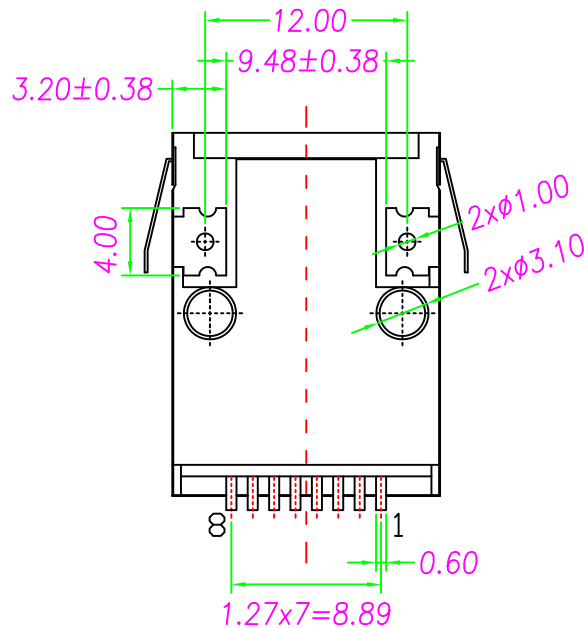
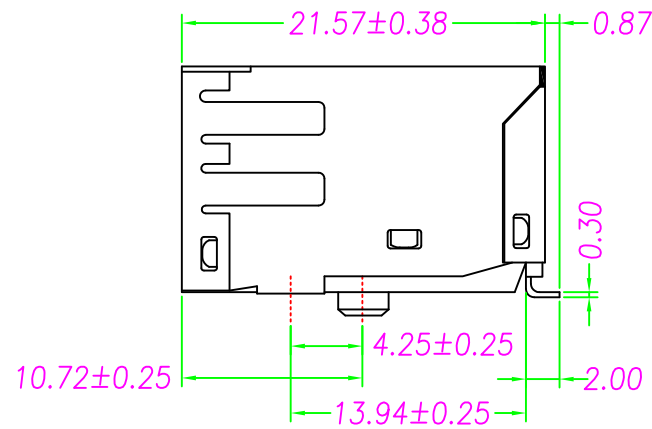
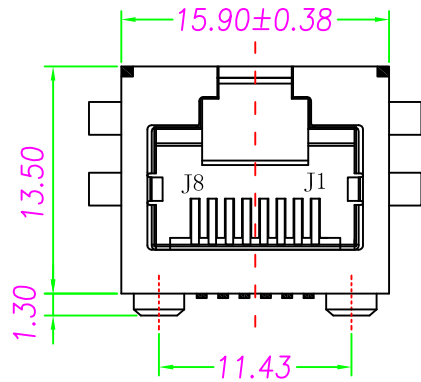
- Turns Ratio:  
TX=1CT:1CT      RX=1CT:1CT
- OCL: 350uH MIN  
@ 100KHz/100mVrms 8mA DC Bias
- Insertion Loss:  
1~100MHz:-1.0dB MAX
- Return Loss (dB MIN):  
1~30MHz:-18  
40MHz:-14  
50MHz:-12  
60~80MHz:-10
- Crosstalk (dB MIN):  
20MHz:-47  
40MHz:-40  
60MHz:-37  
80MHz:-35  
100MHz:-33
- Common Mode Rejection Ratio:  
1~100MHz:-30dB MIN
- Hipot: 1500Vrms MIN
- Operating Temperature range: -40°C ~+85°C.
- Storage Temperature range: -55°C ~+125°C.



X:X	±0.30	APPD:	LINK-PP INT'L TECHNOLOGY CO., LIMITED
X:XX	±0.20	CHKD:	
X:XXX	±0.10	DR: TOM	TITLE: Surface Mount 1×1 Tab-Up Jack With 10/100 Magnetic SMT
ANGLES	±1°	UNIT: mm	PART NO.: LPJ19712CNL
	SCALE: 2/1	SHEET: 1/2	REV: A      DWG NO.: LP14032121

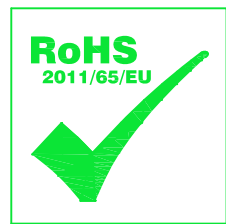
# Mechanical :

REV.	ECN NO.	DESCRIPTION	DATE	APPD
A	REL		2014/03/21	



SUGGESTED PCB LAYOUT (TOP VIEW)

- NOTES:
1. Designed to support application, such as SOHO (ADSL modems), LAN-on-Motherboard (LOM), hub and Switches.
  2. Meets IEEE 802.3 specification
  3. Connector Materials:  
 Housing: Thermoplastic UL94V-0  
 Contact/Shield: Copper alloy  
 Shield plating: Nickel  
 RJ-45 Contact plating: Gold 6 micro-inches min. In contact area
  4. Wave solder tip temperature and time: 265°C MAX, 5 Sec MAX.



X:X	±0.30	APPD:	LINK-PP INT'L TECHNOLOGY CO., LIMITED	
X:XX	±0.20	CHKD:	TITLE: Surface Mount 1x1 Tab-Up Jack With 10/100 Magnetic SMT	
X:XXX	±0.10	DR: TOM	PART NO.: LPJ19712CNL	
ANGLES	±1°	UNIT: mm		
	SCALE: 2/1	SHEET: 2/2	REV: A	DWG NO.: LP14032121