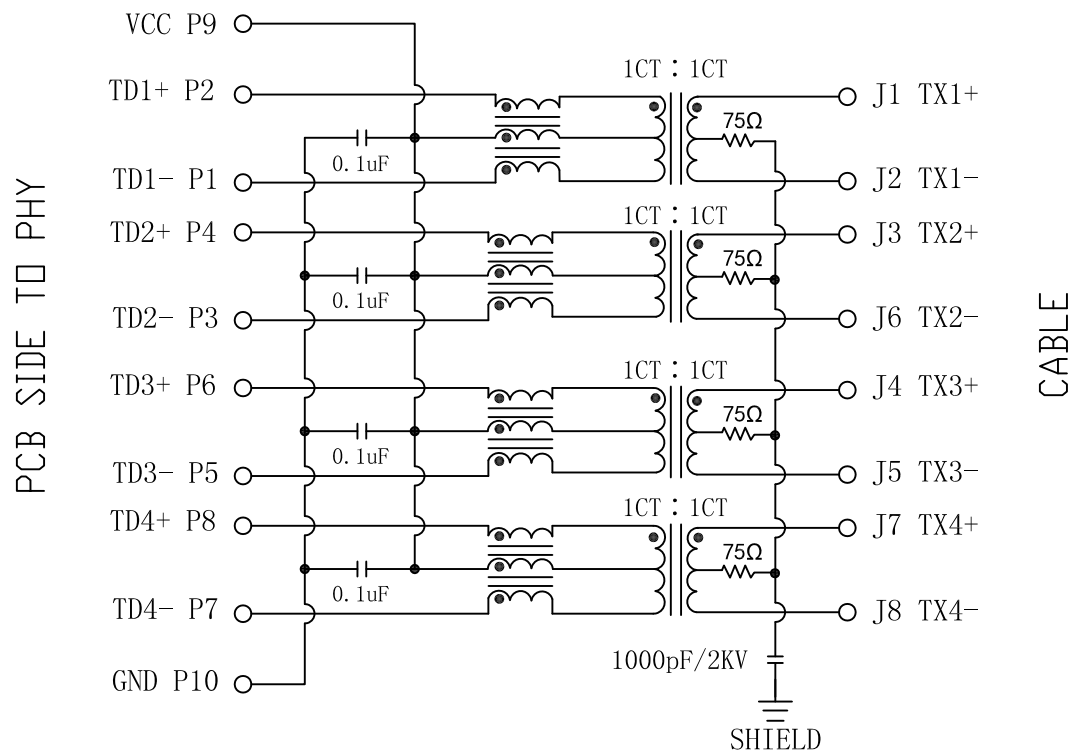


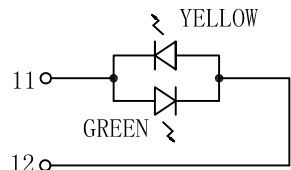
Schematic:

REV.	ECN NO.	DESCRIPTION	DATE	APPD
A	REL			



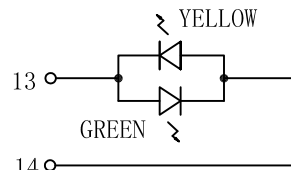
Electrical Specification @25°C

1. OCL: 350uH Min
@100KHz, 100mVrms, 8mA DC Bias
2. Turns Ratio: 1CT : 1CT
3. Insertion Loss:
0.5~100MHz: -1.1dB Max
4. Return Loss(dB Min):
0.5~30MHz: -18
30.1~60MHz: -18-20Log(f/30MHz)
60.1~80MHz: -12
5. Crosstalk(dB Min):
0.5~40MHz: -35
40.1~100MHz: -33-20Log(f/50MHz)
6. Common Mode Rejection Ratio(CMRR):
0.5~100MHz: -30dB Min
7. Hi-Pot: 1500Vrms @60Hz
8. Operating Temperature: -40°C ~ +85°C.



LEFT LED

LED POLARITY		COLOR
PIN 11	PIN 12	
+	-	GREEN
-	+	YELLOW



RIGHT LED

LED POLARITY		COLOR
PIN 13	PIN 14	
+	-	GREEN
-	+	YELLOW

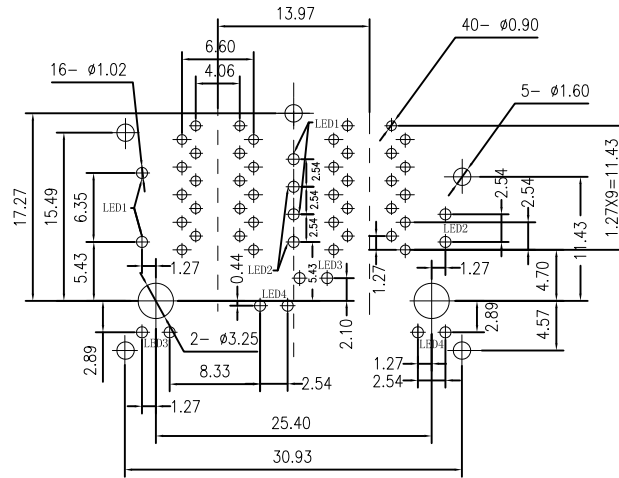
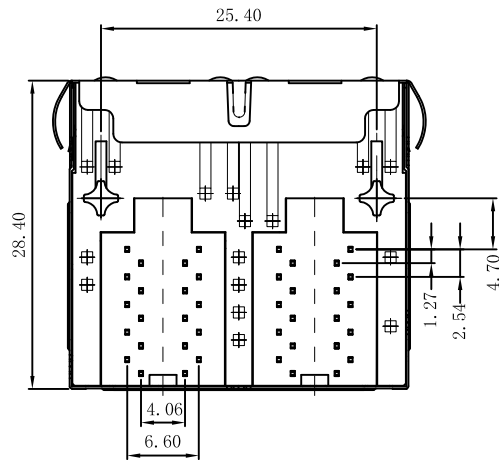


Emitting Color	λ p(nm)	VF@IF=20mA	IR @VR=5V
Green	565	1.8~2.6V	10 μ A max
Yellow	585	1.8~2.6V	10 μ A max

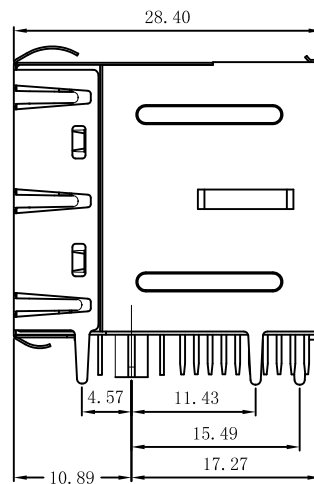
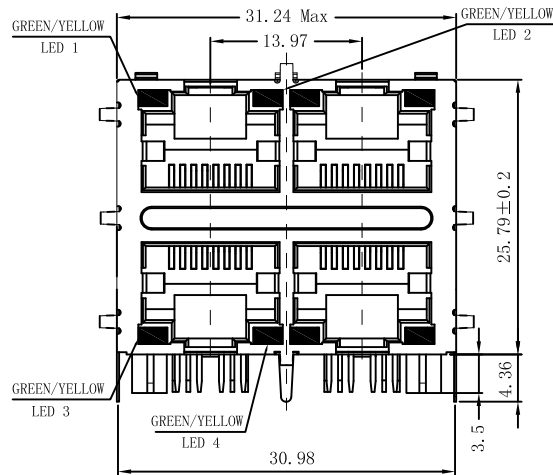
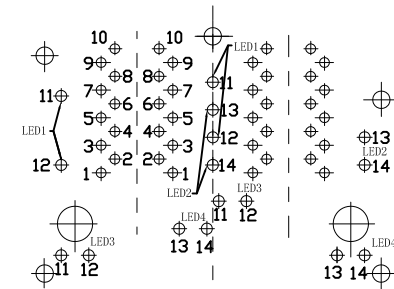
X:X	± 0.30	APPD:	LINK-PP INT'L TECHNOLOGY CO., LIMITED
X:XX	± 0.25	CHKD:	
X:XXX	± 0.05	DR: TOM	TITLE: RJ45 .Transformer. 1000 Base-T W/LED. 2x2 Port
ANGLES	$\pm 1^\circ$	UNIT: mm	PART NO.: LPJG27037A4NL
	SCALE: 2/1	SHEET: 1/2	REV: A
			DWG NO.: LP14042302

Mechanical :

REV.	ECN NO.	DESCRIPTION	DATE	APPD
A	REL		2013/08/05	



SUGGESTED PCB LAYOUT (TOP VIEW)



NOTES:

1. Designed to support application, such as SOHO (ADSL modems), LAN-on-Motherboard (LOM), hub and Switches.
2. Meets IEEE 802.3 specification
3. Connector Materials:
Housing: Thermoplastic UL94V-0
Contact/Shield: Copper alloy
Shield plating: Nickel
Contact plating: Gold 6 micro-inches min. In contact area.
4. Wave solder tip temperature: 265°C Max, 5 Sec Max.



X:X	±0.30	APPD:	LINK-PP INT'L TECHNOLOGY CO., LIMITED	
X:XX	±0.25	CHKD:	TITLE: RJ45 .Transformer. 1000 Base-T W/LED. 2×2 Port	
X:XXX	±0.05	DR: TOM	PART NO. : LPJG27037A4NL	
ANGLES	±1°	UNIT: mm		
	SCALE: 2/1	SHEET: 2/2	REV: A	DWG NO. : LP14042302