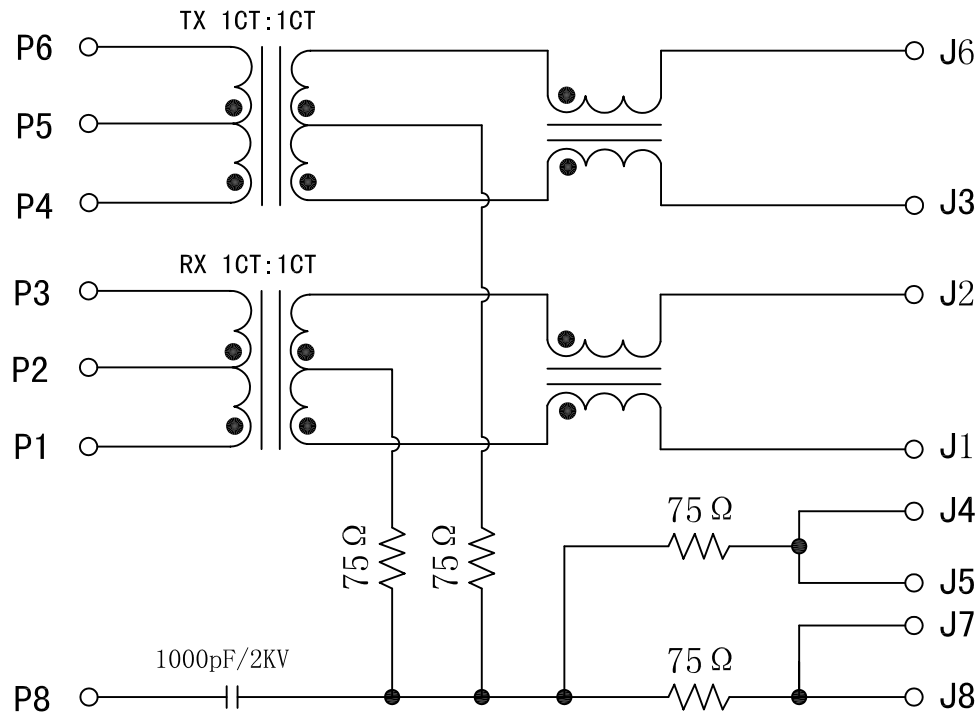


# Schematic:

REV.	ECN NO.	DESCRIPTION	DATE	APPD
A	REL		2010/11/05	



## Electrical Specifications @25°C

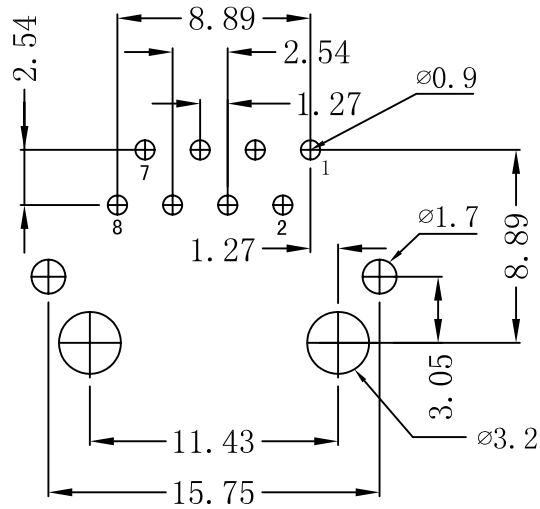
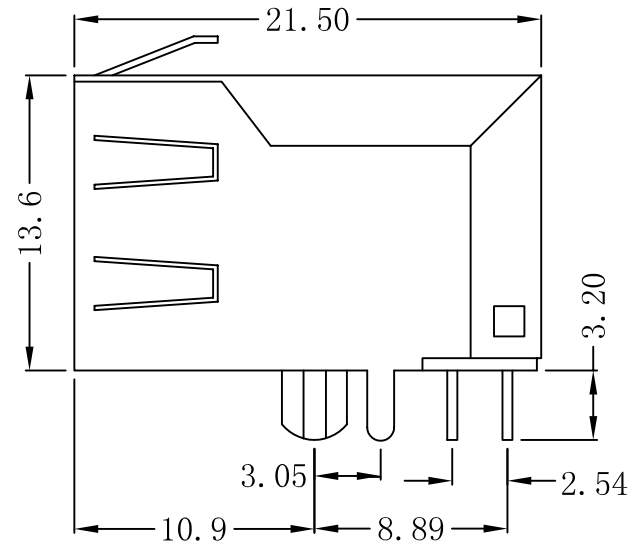
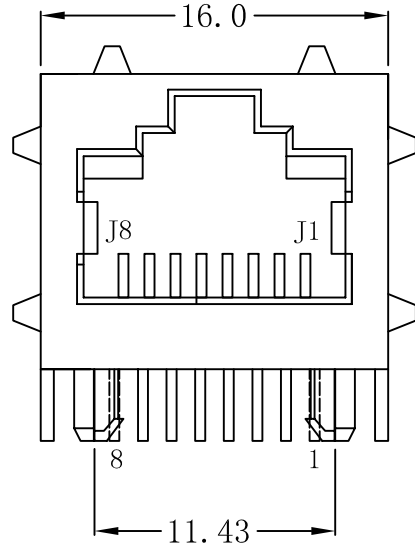
- Turns Ratio:  
TX=1CT:1CT      RX=1CT:1CT
- Inductance OCL: 350uH min  
@100KHz, 100mV, 8mAdc.
- Insertion Loss:  
1-100MHz:-1.0dB Max
- Return Loss(dB Min):  
1-30MHz:-16  
30-60MHz:-16-20 log(f/30MHz)  
60-80MHz:-10
- Crosstalk(dB Min):  
1-60MHz:-40      60-100MHz:-38
- Isolation Voltage:1500Vrms
- Operating Temperature:0~70°C



X:X	±0.20	APPD:	<i>LINK-PP INT'L TECHNOLOGY CO., LIMITED</i>	
X:XX	±0.10	CHKD:		
X:XXX	±0.05	DR: TOM		
ANGLES	±1°	UNIT: mm	PART NO.:	LPJ16212CNL
	SCALE: 2/1	SHEET: 2/2	REV: A	DWG NO: LP10110503

# Mechanical :

REV.	ECN NO.	DESCRIPTION	DATE	APPD
A	REL		2010/11/05	



SUGGESTED PCB LAYOUT (TOP VIEW)



## NOTES:

1. Designed to support application, such as SOHO (ADSL modems), LAN-on-Motherboard (LOM), hub and Switches.
2. Meets IEEE 802.3 specification
3. Connector Materials:  
 Housing: Thermoplastic UL94V-0  
 Contact/Shield: Copper alloy  
 Shield plating: Nickel  
 Contact plating: Gold 6 micro-inches min. In contact area.
4. Wave solder tip temperature: 265°C Max  
 Wave solder tip temperature time: 5 Sec Max

X:X	±0.20	APPD:	LINK-PP INT'L TECHNOLOGY CO., LIMITED
X:XX	±0.10	CHKD:	
X:XXX	±0.05	DR: TOM	Title: RJ45 Connector With 10/100 Base-TX Integrated Magnetic
ANGLES	±1°	UNIT: mm	PART NO.: LPJ16212CNL
	SCALE: 2/1	SHEET: 1/2	REV: A DWG NO: LP10110503