

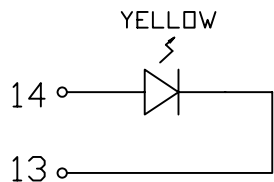
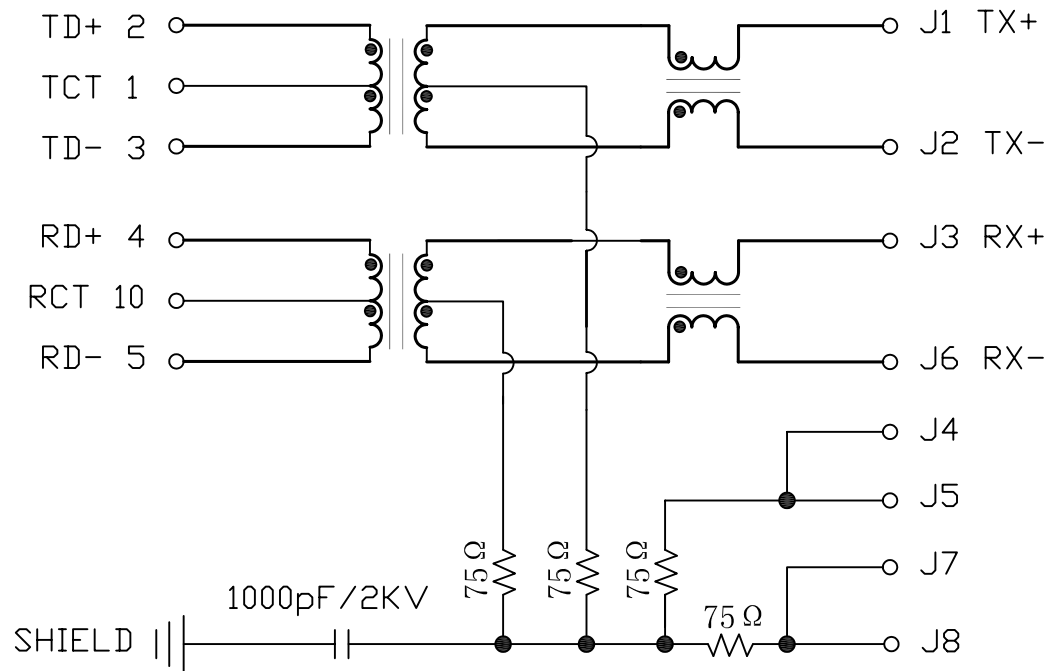
# Schematic:

REV.	ECN NO.	DESCRIPTION	DATE	APPD
A	REL		2010/06/29	

## Electrical Specifications:

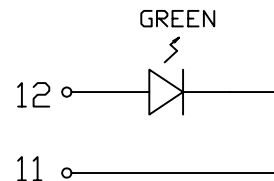
TEST NOTES (25±5°C)

- TR: (100KHz, 0.1V):  
TX=1CT : 1CT ±2%      RX=1CT : 1CT ±2%
- LX (100KHz, 100mV, 8mA, DC Bias):  
350uH MIN
- HIPOT: 1500VAC
- INSERTION LOSS:  
-1.0dB MAX @ 1.0MHz TO 100MHz
- RETURN LOSS:  
-18dB MIN @ 1MHz TO 30MHz  
-16dB MIN @ 30MHz TO 60MHz  
-12dB MIN @ 60MHz TO 80MHz
- CROSS TALK:  
-40dB MIN @ 1MHz TO 10MHz  
-35dB MIN @ 32MHz TO 60MHz  
-30dB MIN @ 60MHz TO 100MHz
- COMMON TO COMMON MODE REJECTION:  
-30dB MIN @ 1MHz TO 50MHz  
-20dB MIN @ 50MHz TO 150MHz
- OPERATING TEMPERATURE: 0°C ~ 70°C.



LEFT LED

LED POLARITY		COLOR
PIN 14	PIN 13	
+	-	YELLOW



RIGHT LED

LED POLARITY		COLOR
PIN 12	PIN 11	
+	-	GREEN



X:X	±0.30	APPD:	LINK-PP INT'L TECHNOLOGY CO., LIMITED
X:XX	±0.20	CHKD:	
X:XXX	±0.10	DR: TOM	TITLE: RJ45 10/100 Base-TX JACK/Dual USB Combo
ANGLES	±1°	UNIT: mm	PART NO.: LPJU5183BGNL
	SCALE: 2/1	SHEET: 1/2	REV: A      DWG NO.: LP10062908

