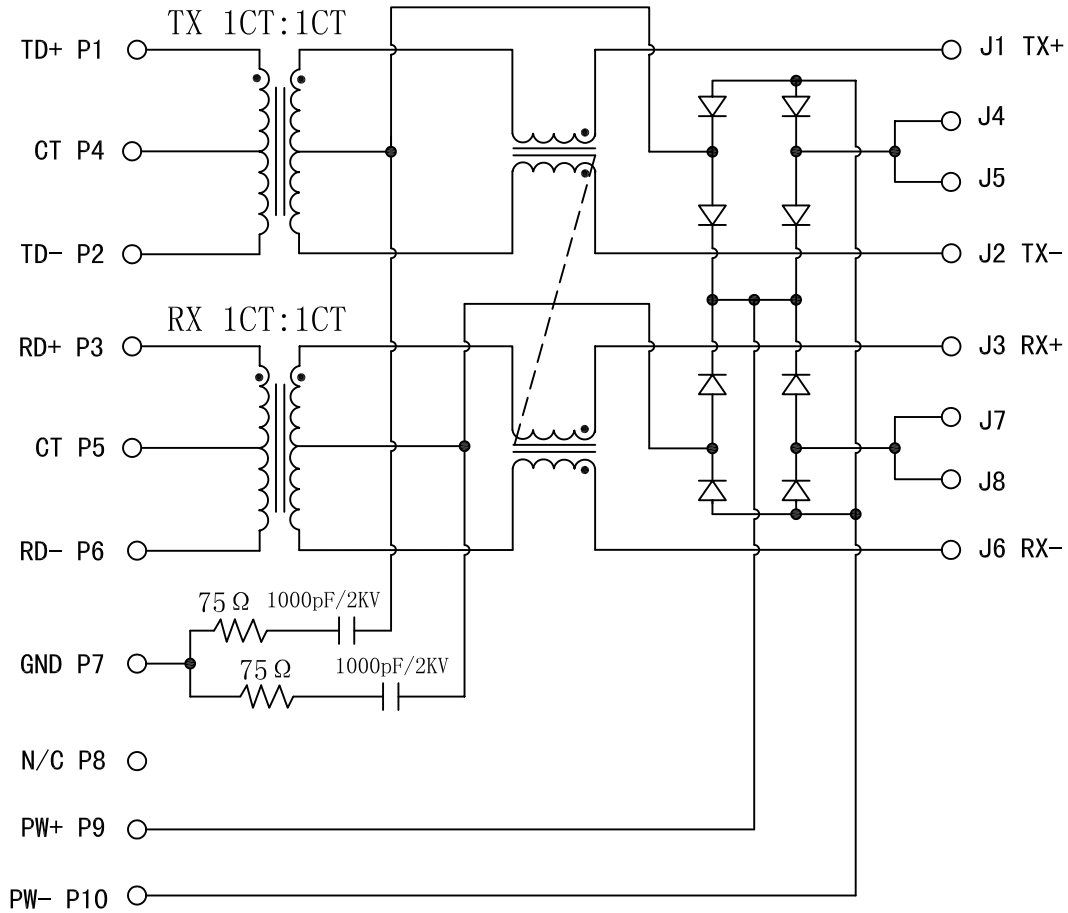


Schematic:

REV.	ECN NO.	DESCRIPTION	DATE	APPD
A	REL		08/05/2009	

PCB

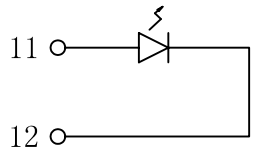
CABLE



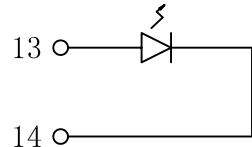
ELECTRICAL SPECIFICATIONS @25°C

- Turn Ratio: 1CT:1CT  $\pm 3\%$   
(P1-P2: J1-J2)  
(P3-P6: J3-J6)
- OCL (100KHz, 0.1Vrms, 8mA) :  
(P1-P2, P3-P6) 350uH Min
- Insertion Loss:  
0.1-100MHz: -1.1dB Max
- Return Loss:  
0.5-30MHz: -18dB Min  
40MHz: -15.5dB Min  
50MHz: -13.6dB Min  
60-80MHz: -12dB Min
- Cross talk:  
1-100MHz: -38dB Typ
- Common Mode Rejection:  
0.1-30MHz: -50dB Typ  
30-60MHz: -40dB Typ  
60-100MHz: -30dB Typ
- Isolation: 1500Vrms
- Operating Temperature: 0°C TO 70°C.

YELLOW/LEFT LED



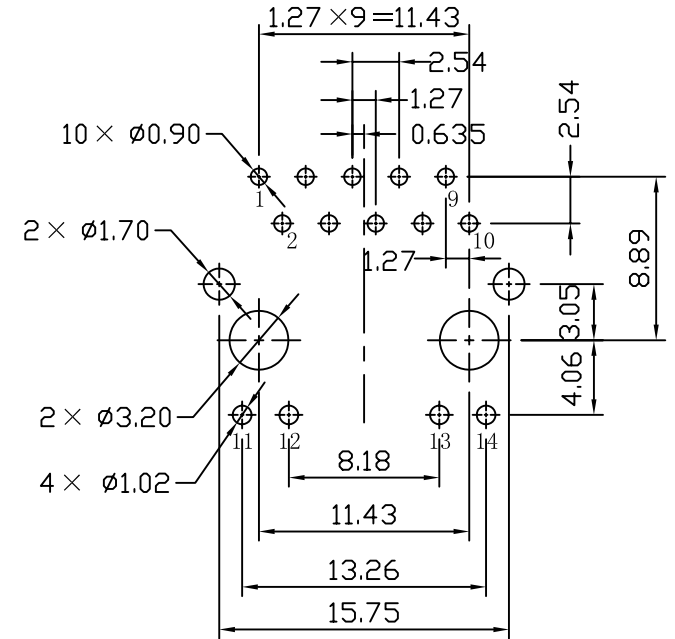
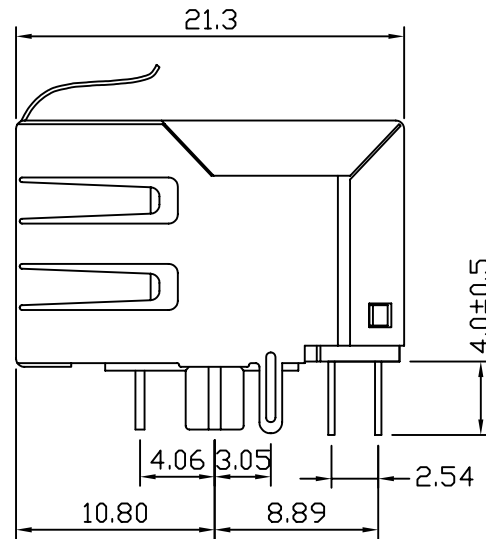
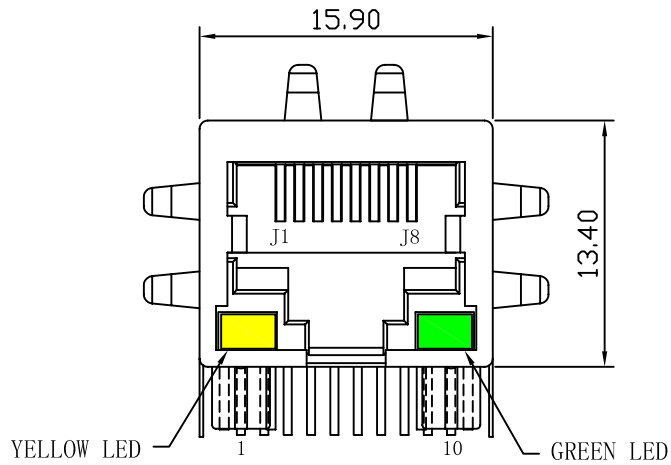
GREEN/RIGHT LED



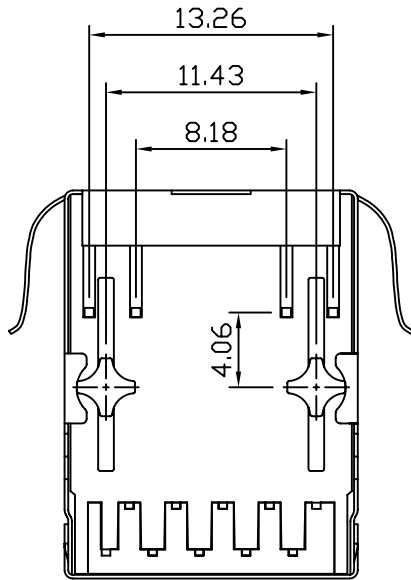
X:X $\pm 0.25$	APPD:	LINK-PP INT'L TECHNOLOGY CO., LIMITED
X:XX $\pm 0.10$	CHKD:	
X:XXX $\pm 0.05$	DR: TOM	TITLE: RJ45 Connector with 10/100 Base-TX Integrated Magnetics
ANGLES $\pm 1^\circ$	UNIT: mm	PART NO. : LPJ0112GDNL
	SCALE: 2/1	SHEET: 1/2
	REV: A	DWG NO. : LP09050807

Mechanical:

REV.	ECN NO.	DESCRIPTION	DATE	APPD
A	REL		08/05/2009	



SUGGESTED PCB LAYOUT (TOP VIEW)



NOTES:

1. Designed to support application, such as SOHO (ADSL modems), LAN-on-Motherboard (LOM), hub and Switches.
2. Meets IEEE 802.3 specification
3. Connector Materials:  
 Housing: Thermoplastic UL94V-0  
 Contact/Shield: Copper alloy  
 Shield plating: Nickel  
 Contact plating: Gold 6 micro-inches min. In contact area.
4. Wave solder tip temperature: 265°C Max  
 Wave solder tip temperature time: 5 Sec Max



X:X ±0.25	APPD:	LINK-PP INT'L TECHNOLOGY CO., LIMITED
X:XX ±0.10	CHKD:	
X:XXX ±0.05	DR: TOM	TITLE: RJ45 Connector with 10/100 Base-TX Integrated Magnetics
ANGLES ±1°	UNIT: mm	PART NO.: LPJ0112GDNL
	SCALE: 2/1	SHEET: 2/2
	REV: A	DWG NO.: LP09050807