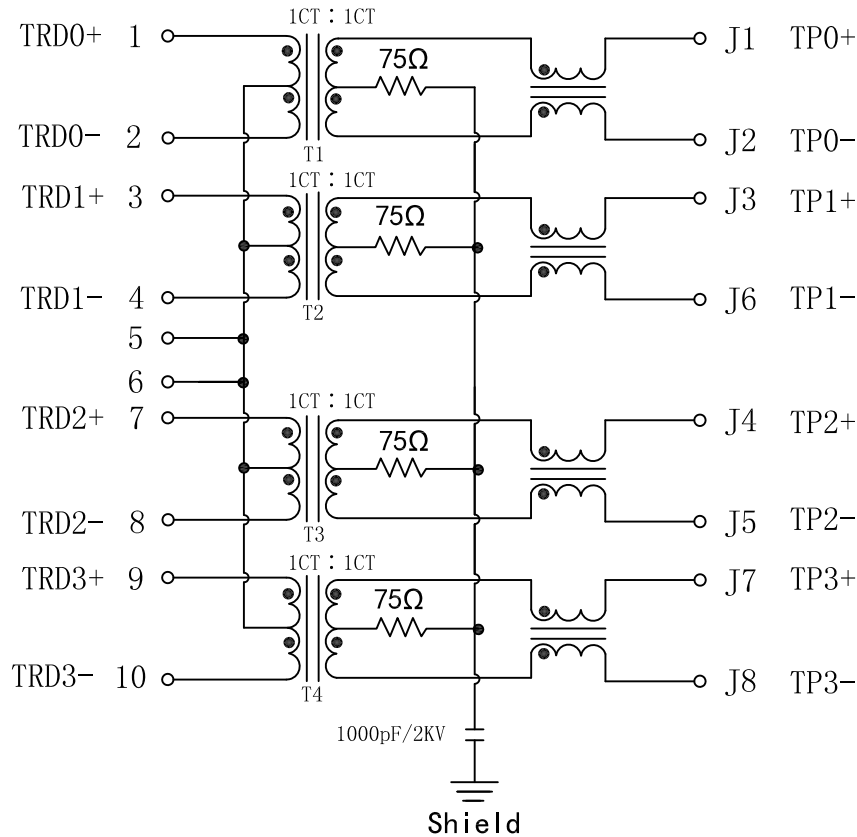


Schematic:

REV.	ECN NO.	DESCRIPTION	DATE	APPD
A	REL		2010/12/13	

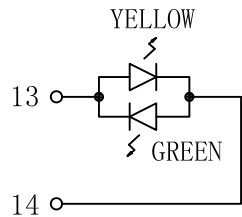
PCB CONNECTIONS



RJ45 CONNECTOR

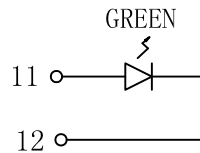
Electrical Specifications @25°C

- Turns Ratio ($\pm 2\%$):
TX=1CT:1CT RX=1CT:1CT
- OCL: 350uH Min
@100KHz 100mV With 8mA DC
- Insertion Loss:
1-100MHz:-1.2dB MAX
- Return Loss(dB MIN):
1-30MHz:-16 30-60MHz:-12
60-80MHz:-10
- Crosstalk(dB MIN):
1-30MHz:-40 30-60MHz:-35
60-100MHz:-30
- CMR(dB MIN):
1-60MHz:-43 60-100MHz:-35
- Hipot: 1500V AC 6S 1mA
- Operating Temperature: 0°C ~ 70°C.



LEFT LED

LED POLARITY		COLOR
PIN 13	PIN 14	
+	-	YELLOW
-	+	GREEN



RIGHT LED

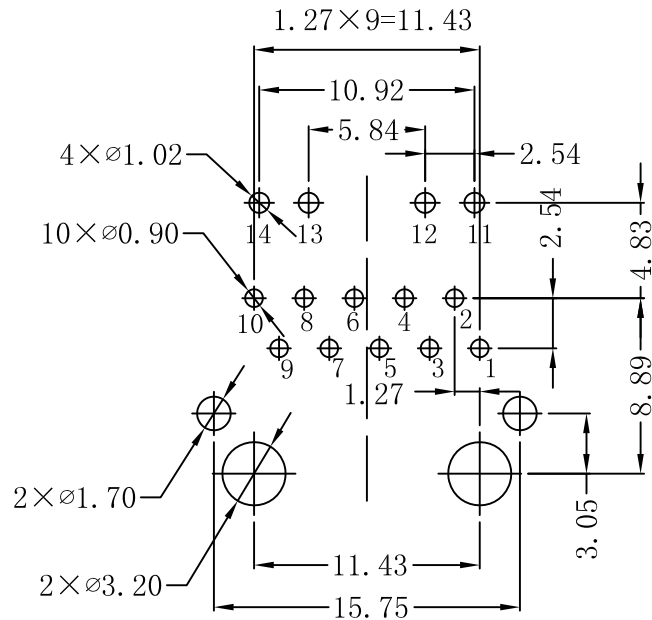
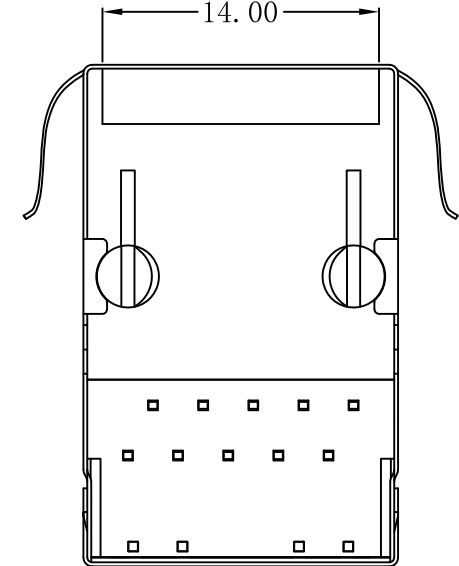
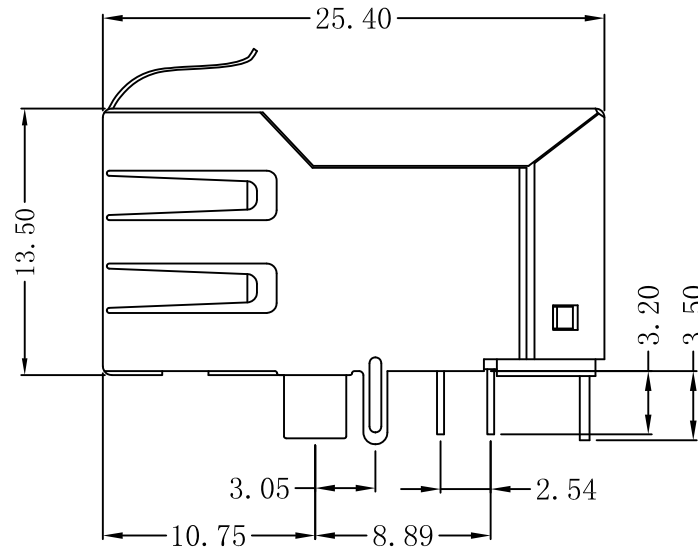
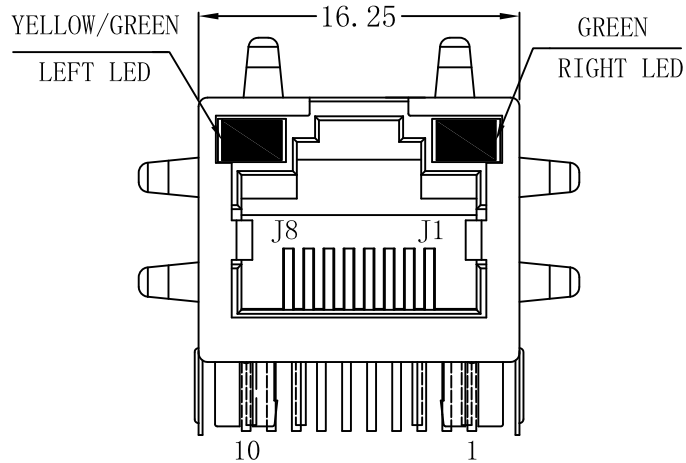
LED POLARITY		COLOR
PIN 11	PIN 12	
+	-	GREEN



X:X	± 0.20	APPD:	LINK-PP INT'L TECHNOLOGY CO., LIMITED
X:XX	± 0.10	CHKD:	
X:XXX	± 0.05	DR: TOM	Title: RJ45 Connector With 1000 Base-TX Integrated Magnetic
ANGLES	$\pm 1^\circ$	UNIT: mm	PART NO.: LPJG17301A9NL
	SCALE: 2/1	SHEET: 1/2	REV: A DWG NO.: LP10121318

Mechanical :

REV.	ECN NO.	DESCRIPTION	DATE	APPD
A	REL		2010/12/13	



SUGGESTED PCB LAYOUT (TOP VIEW)

NOTES:

1. Designed to support application, such as SOHO (ADSL modems), LAN-on-Motherboard (LOM), hub and Switches.
2. Meets IEEE 802.3 specification
3. Connector Materials:
 Housing: Thermoplastic UL94V-0
 Contact/Shield: Copper alloy
 Shield plating: Nickel
 Contact plating: Gold 6 micro-inches min. In contact area.
4. Wave solder tip temperature: 265°C Max
 Wave solder tip temperature time: 5 Sec Max



X:X	±0.20	APPD:	LINK-PP INT'L TECHNOLOGY CO., LIMITED
X:XX	±0.10	CHKD:	
X:XXX	±0.05	DR: TOM	Title: RJ45 Connector With 1000 Base-TX Integrated Magnetic
ANGLES	±1°	UNIT: mm	PART NO.: LPJG17301A9NL
	SCALE: 2/1	SHEET: 2/2	REV: A
			DWG NO.: LP10121318