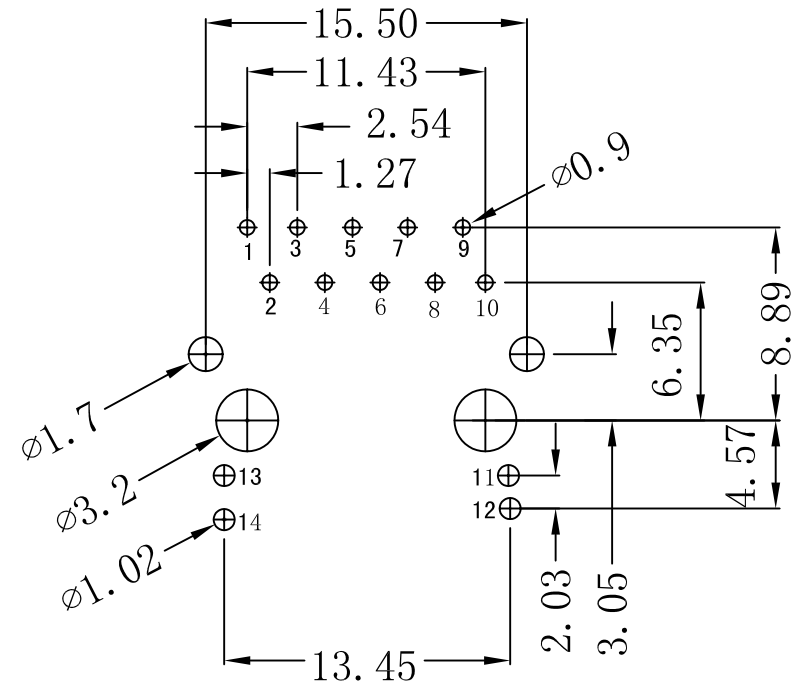
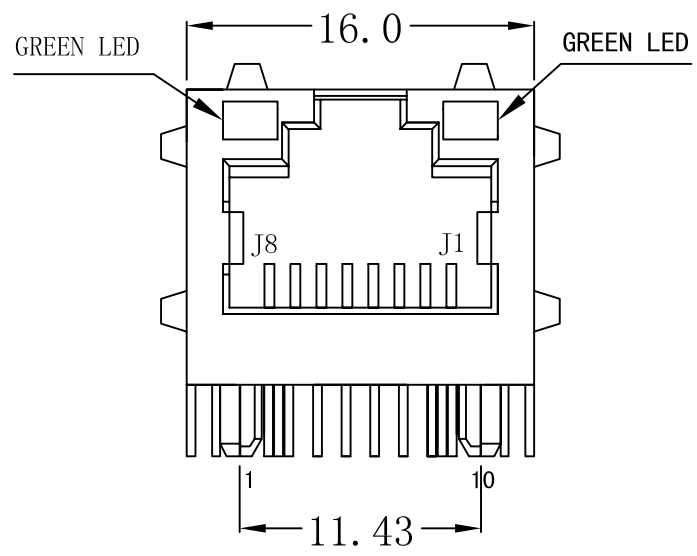
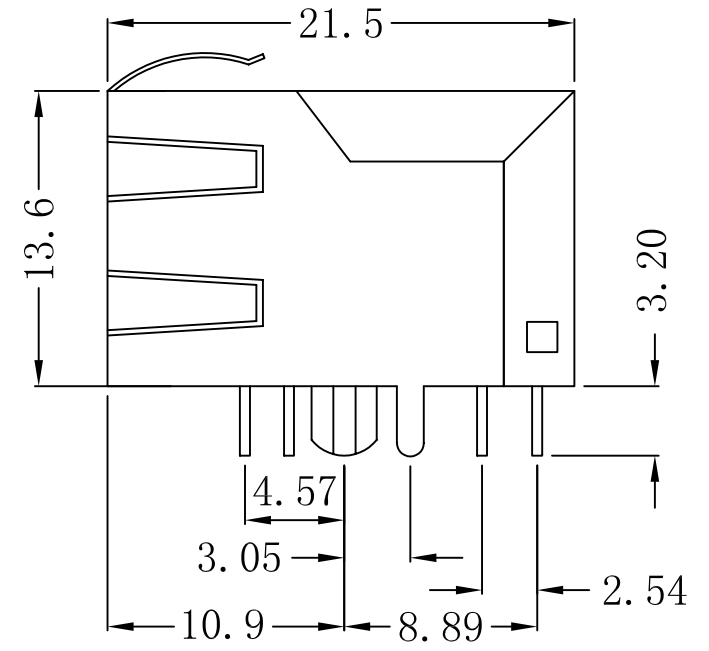


Mechanical:

REV.	ECN NO.	DESCRIPTION	DATE	APPD
A	REL		10/09/2009	



Suggested PCB Layout (TOP VIEW)



NOTES:

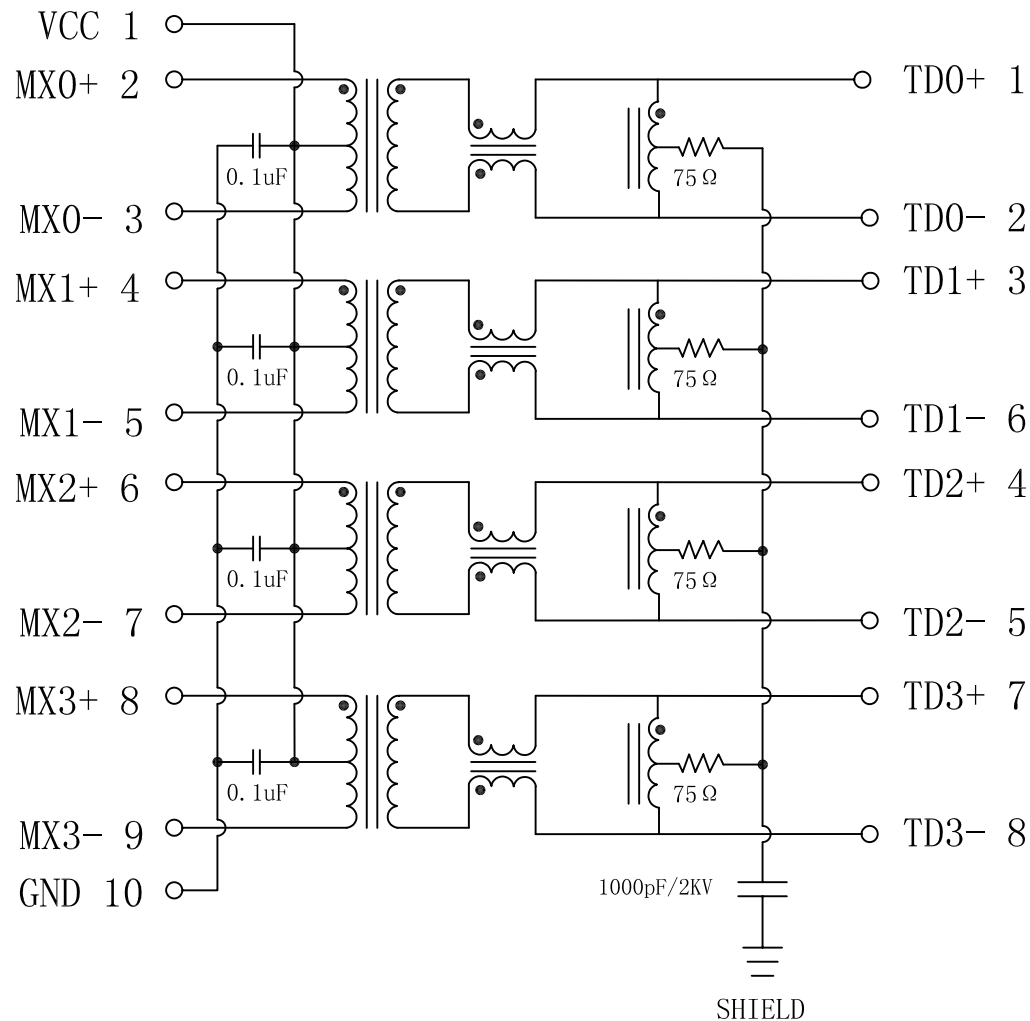
1. Designed to support application, such as SOHO (ADSL modems), LAN-on-Motherboard (LOM), hub and Switches.
2. Meets IEEE 802.3 specification
3. Connector Materials:
 Housing: Thermoplastic UL94V-0
 Contact/Shield: Copper alloy
 Shield plating: Nickel
 Contact plating: Gold 6 micro-inches min. In contact area.
4. Wave solder tip temperature: 265°C Max
 Wave solder tip temperature time: 5 Sec Max



X:X	±0.20	APPD:	LINK-PP INT'L TECHNOLOGY CO., LIMITED
X:XX	±0.10	CHKD:	
X:XXX	±0.05	DR: TOM	<i>Title:</i> RJ45 Connector With 1000 Base-TX Integrated Magnetic
ANGLES	±1°	UNIT: mm	PART NO.: LPJG16533AZNL
	SCALE: 2/1	SHEET: 1/2	REV: A DWG NO.: LP09091005

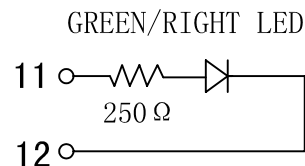
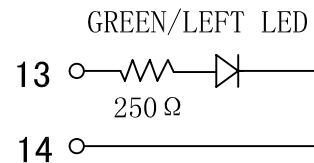
Schematic:

REV.	ECN NO.	DESCRIPTION	DATE	APPD
A	REL		10/09/2009	



Electrical Specification @25°C

- Open Circuit Inductance (OCL):
350uH Min @100KHz, 0.1Vrms, 8mA DC Bias
- Turns Ratio (CHIP:CABLE):
1:1 all four pairs
- Insertion Loss:
0.5-100MHz:-1.1dB Max
- Return Loss:
0.5-40MHz:-18dB Min
40.1-100MHz:-12-20LOG(f/80) dB Min
- Cross Talk:
0.5-40MHz:-35dB Min
40.1-100MHz:-33-20LOG(f/50) dB Min
- Common Mode Rejection Ratio (CMRR):
0.5-100MHz:-30dB Min
- Isolation (@60Hz): 1500Vrms
- Operating Temperature: 0~70°C.



X:X	±0.20	APPD:	LINK-PP INT'L TECHNOLOGY CO., LIMITED	
X:XX	±0.10	CHKD:	Title: RJ45 Connector With 1000 Base-TX Integrated Magnetic	
X:XXX	±0.05	DR: TOM		
ANGLES	±1°	UNIT: mm	PART NO.:	LPJG16533AZNL
	SCALE: 2/1	SHEET: 2/2	REV: A	DWG NO.: LP09091005