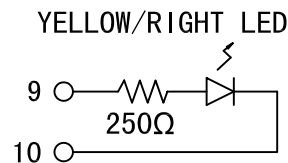
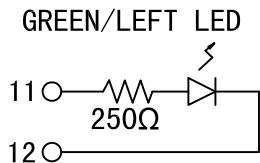
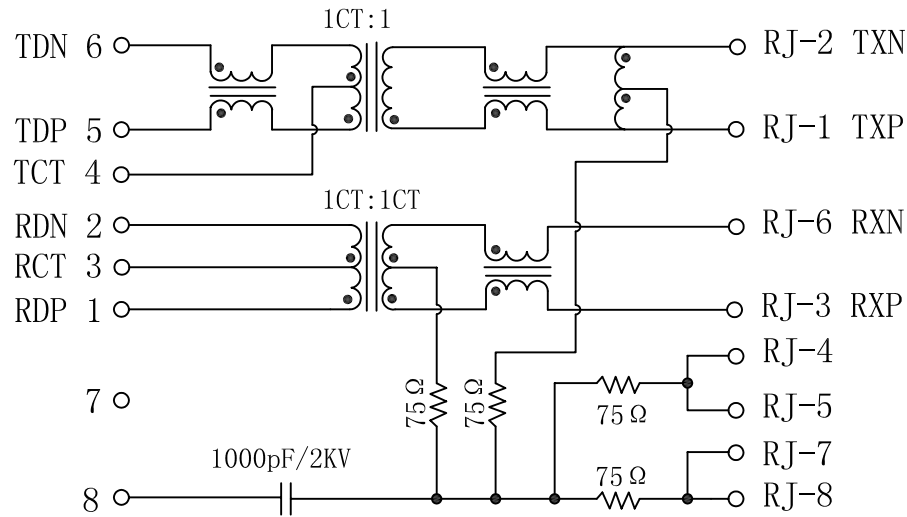


Schematic:

REV.	ECN NO.	DESCRIPTION	DATE	APPD
A	REL		08/11/2008	



Electrical Specifications @25°C

- Impedance: 100 OHMS
- Turns Ratio:
TX=1CT : 1 RX=1CT : 1CT
- Inductance OCL: 350uH Min
@100KHz, 0.1Vrms, 8mA DC Bias.
- Insertion Loss:
0.5MHz-100MHz: -1.1dB Max
- Return Loss(dB Min):
0.5-30MHz: -18
30.1-60MHz: -[18-20log(f/30)]
60.1-80MHz: -12
- Crosstalk(dB Min):
0.5-40MHz: -35
40.1-100MHz: -[33-20log(f/50)]
- Common Mode Rejection Ratio:
0.5-100MHz: -30dB Min
- Isolation Voltage: 1500Vrms
- Operating Temperature: 0°C ~ 70°C.



X:X	±0.20	APPD:	LINK-PP INT'L TECHNOLOGY CO., LIMITED	
X:XX	±0.10	CHKD:	TITLE.: RJ45 Connector With 10/100 Base-TX Integrated Magnetic TAB-UP	
X:XXX	±0.05	DR: TOM		
ANGLES	±1°	UNIT: mm	PART NO.: LPJ16115A28NL	
	SCALE: 2/1	SHEET: 1/2	REV: A	DWG NO: LP09090212

