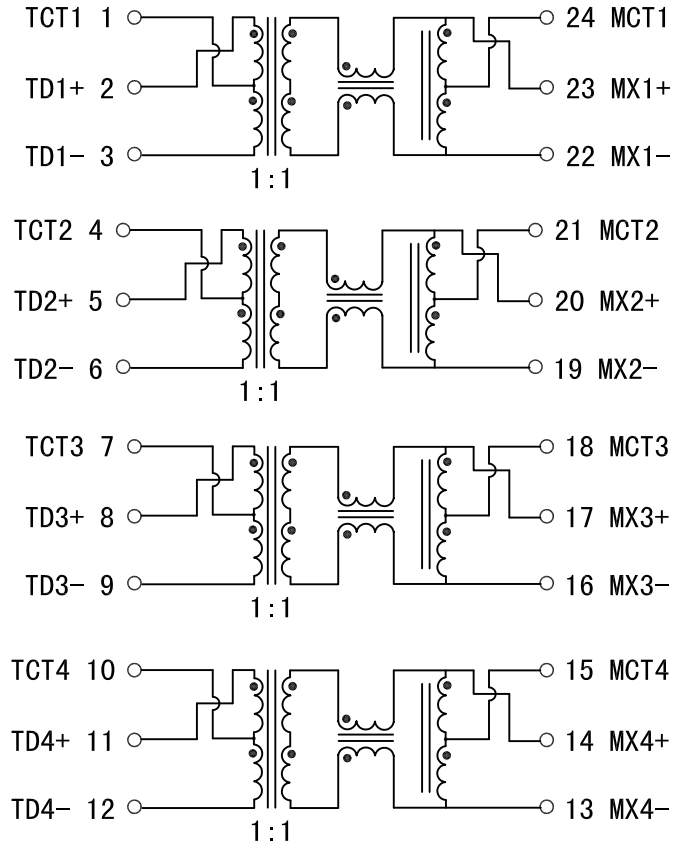


# Schematic:

| REV. | ECN NO. | DESCRIPTION | DATE       | APPD |
|------|---------|-------------|------------|------|
| A    | REL     |             | 24/09/2009 |      |



## Electrical Specification @25°C

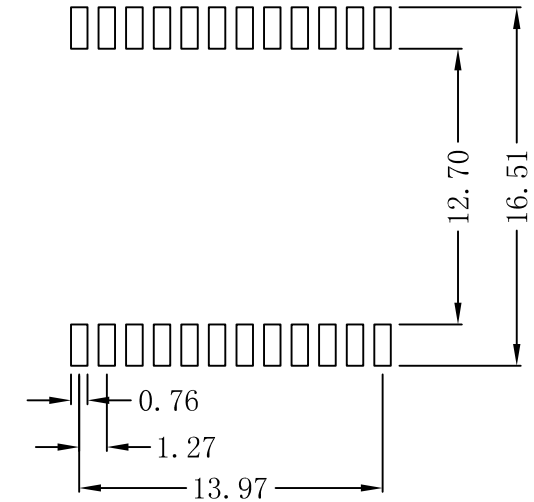
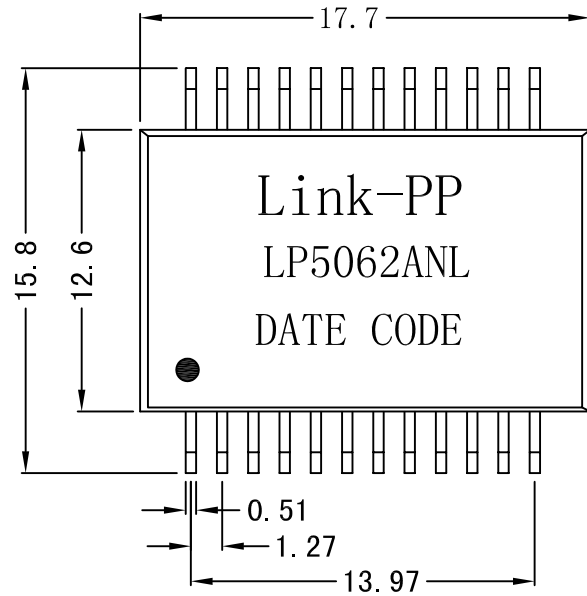
- Turns Ratio:  
TX=1 : 1      RX=1 : 1
- Insertion Loss (dB MAX):  
0.1MHz:-1.1      100MHz:-1.0  
125MHz:-2.0
- Return Loss (dB MIN @100 Ω ±15%):  
30MHz:-18      60MHz:-12  
80MHz:-12      100MHz:-10
- Crosstalk (dB MIN):  
30MHz:-43      60MHz:-37  
100MHz:-33
- Isolation Voltage: 1500Vrms MIN
- Operating Temperature: -40°C ~ +85°C.



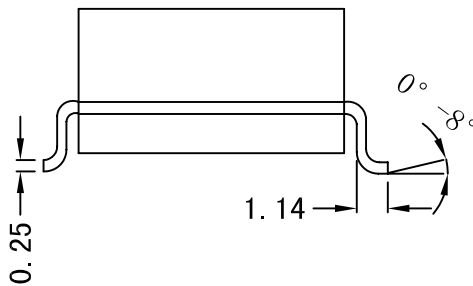
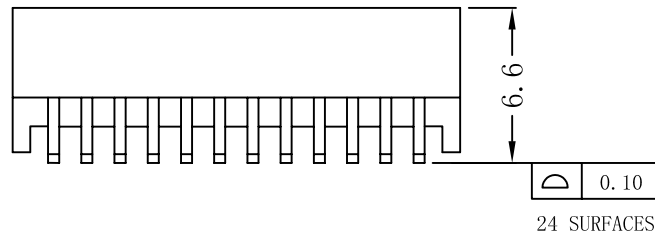
|        |            |            |   |                      |
|--------|------------|------------|---|----------------------|
| X:X    | ±0.20      | APPD:      | LINK-PP INT'L TECHNOLOGY CO., LIMITED     |                      |
| X:XX   | ±0.10      | CHKD:      | <i>Title:</i> 1000Base-T Magnetic Modules |                      |
| X:XXX  | ±0.05      | DR: TOM    |   |                      |
| ANGLES | ±1°        | UNIT: mm   | PART NO. : LP5062ANL                      |                      |
|        | SCALE: 2/1 | SHEET: 1/2 | REV: A                                    | DWG NO. : LP09092405 |

**Mechanical:**

| REV. | ECN NO. | DESCRIPTION | DATE       | APPD |
|------|---------|-------------|------------|------|
| A    | REL     |             | 24/09/2009 |      |



SUGGESTED PAD LAYOUT



NOTES:

1. Designed to support application, such as SOHO (ADSL modems), LAN-on-Motherboard (LOM), hub and Switches.
2. With various Turns Ratios.
3. 350uH min OCL with 8mA bias current.
4. RoHS "NL" peak solder rating 245°C.



|        |            |            |                                       |                     |
|--------|------------|------------|---------------------------------------|---------------------|
| X:X    | ±0.20      | APPD:      | LINK-PP INT'L TECHNOLOGY CO., LIMITED |                     |
| X:XX   | ±0.10      | CHKD:      | Title: 1000Base-T Magnetic Modules    |                     |
| X:XXX  | ±0.05      | DR: TOM    | PART NO.: LP5062ANL                   |                     |
| ANGLES | ±1°        | UNIT: mm   |                                       |                     |
|        | SCALE: 2/1 | SHEET: 2/2 | REV: A                                | DWG NO.: LP09092405 |