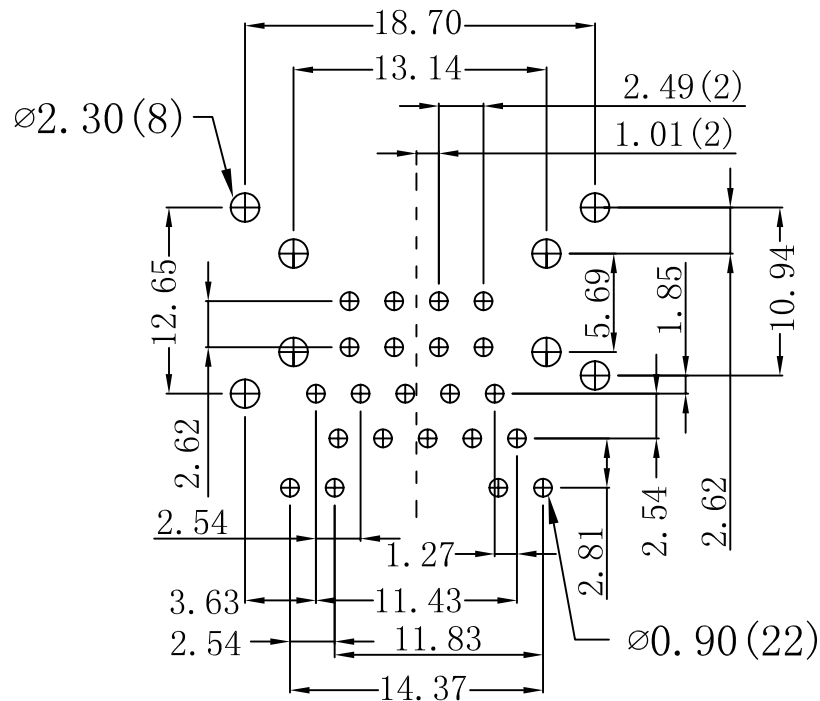
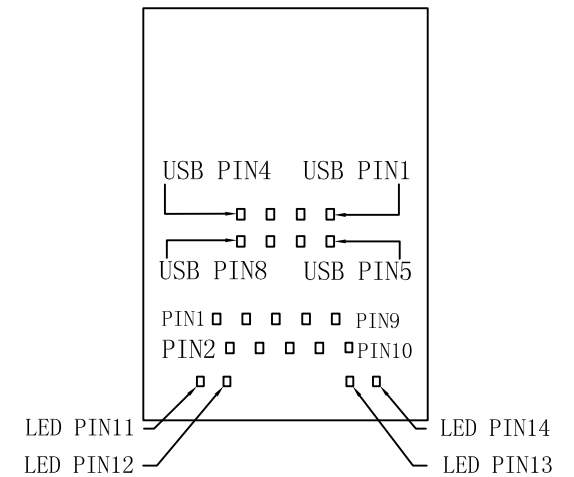
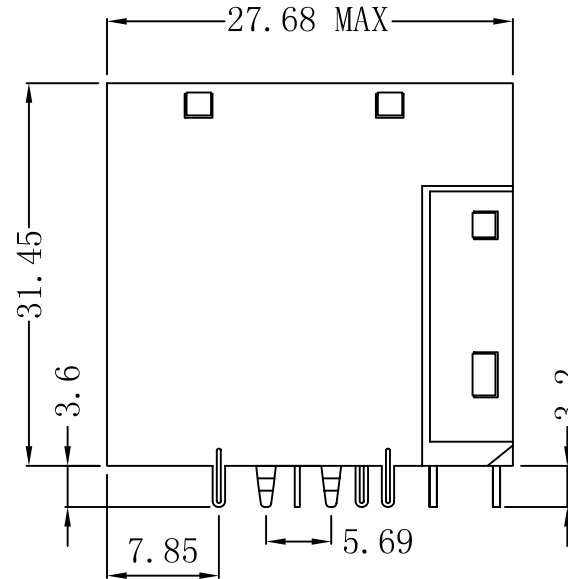
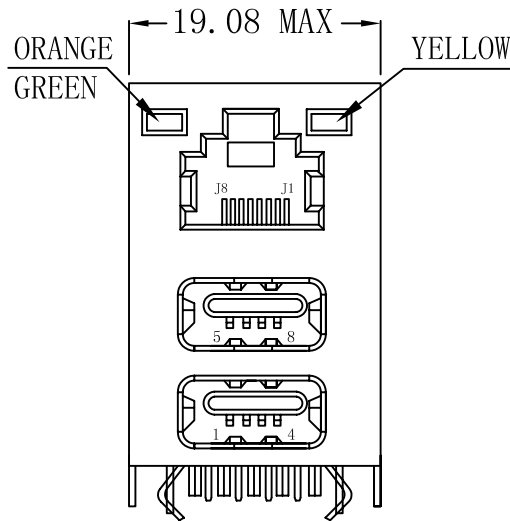


# Mechanical:

REV.	ECN NO.	DESCRIPTION	DATE	APPD
A	REL		09/01/2009	



SUGGESTED PCB LAYOUT (TOP VIEW)

## NOTES:

1. Designed to support application, such as SOHO (ADSL modems), LAN-on-Motherboard (LOM), hub and Switches.
2. Meets IEEE 802.3 specification
3. Connector Materials:  
 Housing: Thermoplastic UL94V-0  
 Contact/Shield: Copper alloy  
 Shield plating: Nickel  
 RJ-45 Contact plating: Gold 6 micro-inches min. In contact area  
 USB Contact plating: Gold Flash.
4. Wave peak temperature: 260°C, 5Sec.

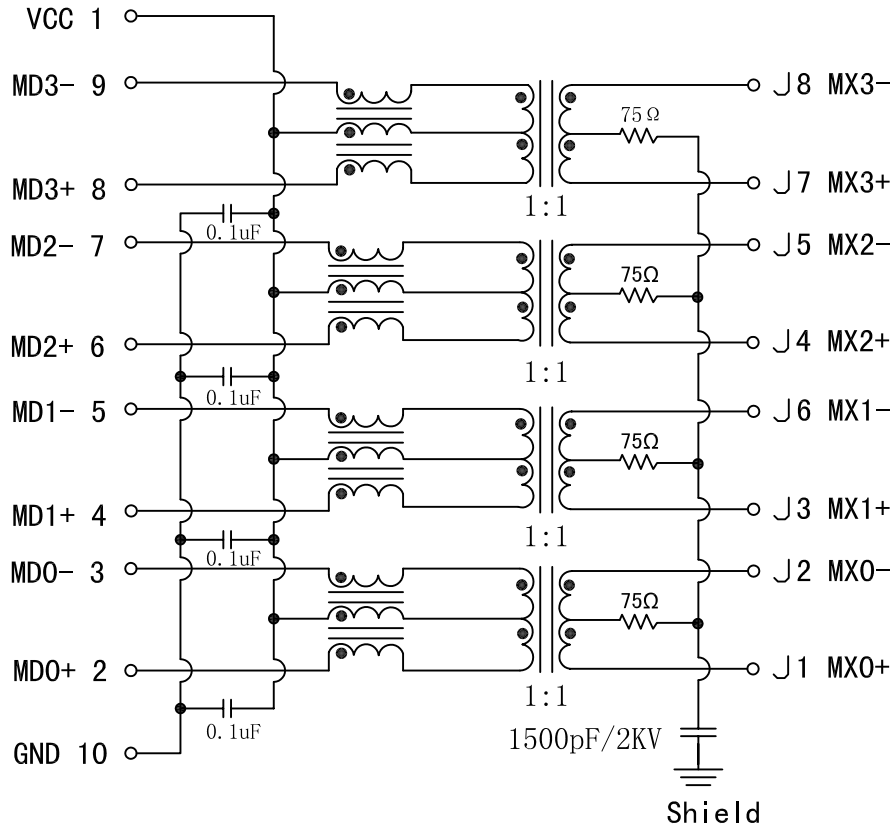


X:X	±0.30	APPD:	LINK-PP INT'L TECHNOLOGY CO., LIMITED	
X:XX	±0.20	CHKD:	TITLE: RJ45 10/100/1000BASE-TX JACK/ Dual USB Combo	
X:XXX	±0.10	DR: TOM	PART NO.: LPJU5303BONL	
ANGLES	±1°	UNIT: mm	DWG NO.: TRC09010901	
	SCALE: 2/1	SHEET: 1/2	REV: A	

# Schematic:

REV.	ECN NO.	DESCRIPTION	DATE	APPD
A	REL		09/01/2009	

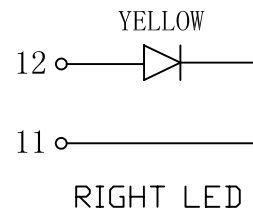
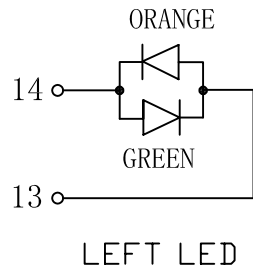
PCB Connections to PHY



CABLE

Electrical Specifications: @25°C

- TR: (100KHZ, 0.1V):  
TX=1CT:1 ±2%; RX=1CT:1 ±2%
- LX: (100KHZ, 100mV, 8mA, DC Bias)  
350uH min
- HIPOT: 1500Vrms MIN
- INSERTION LOSS:  
-1.0dB MAX @ 1.0MHz TO 100MHz
- RETURN LOSS (@100Ω ±15Ω):  
-18dB TYP @ 1MHz TO 10MHz  
-16dB TYP @ 30MHz  
-12dB TYP @ 60MHz TO 80MHz
- CROSS TALK:  
-40dB MIN @ 1MHz TO 10MHz  
-35dB MIN @ 32MHz TO 60MHz  
-30dB MIN @ 60MHz TO 100MHz
- COMMON MODE REJECTION:  
-30dB TYP @ 1MHz TO 50MHz  
-20dB TYP @ 50MHz TO 150MHz
- Operating Temperature: 0°C ~+70°C.



X:X	±0.30	APPD:	LINK-PP INT'L TECHNOLOGY CO., LIMITED	
X:XX	±0.20	CHKD:	TITLE: RJ45 10/100/1000BASE-TX JACK/ Dual USB Combo	
X:XXX	±0.10	DR: TOM	PART NO.: LPJU5303BONL	
ANGLES	±1°	UNIT: mm		
	SCALE: 2/1	SHEET: 2/2	REV: A	DWG NO.: TRC09010901