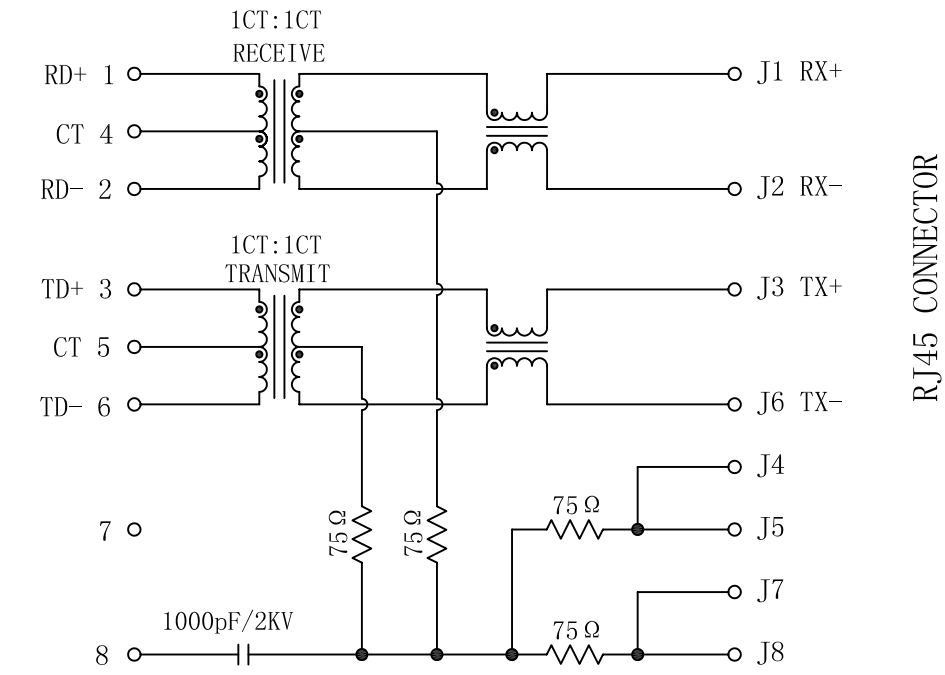


# Schematic :

REV.	ECN NO.	DESCRIPTION	DATE	APPD
A	REL		2010/11/02	

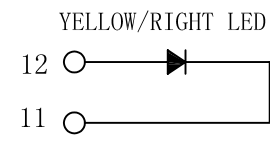
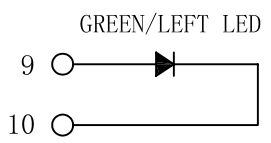
PC BOARD CONNECTIONS



RJ45 CONNECTOR

Electrical Specifications: @25°C

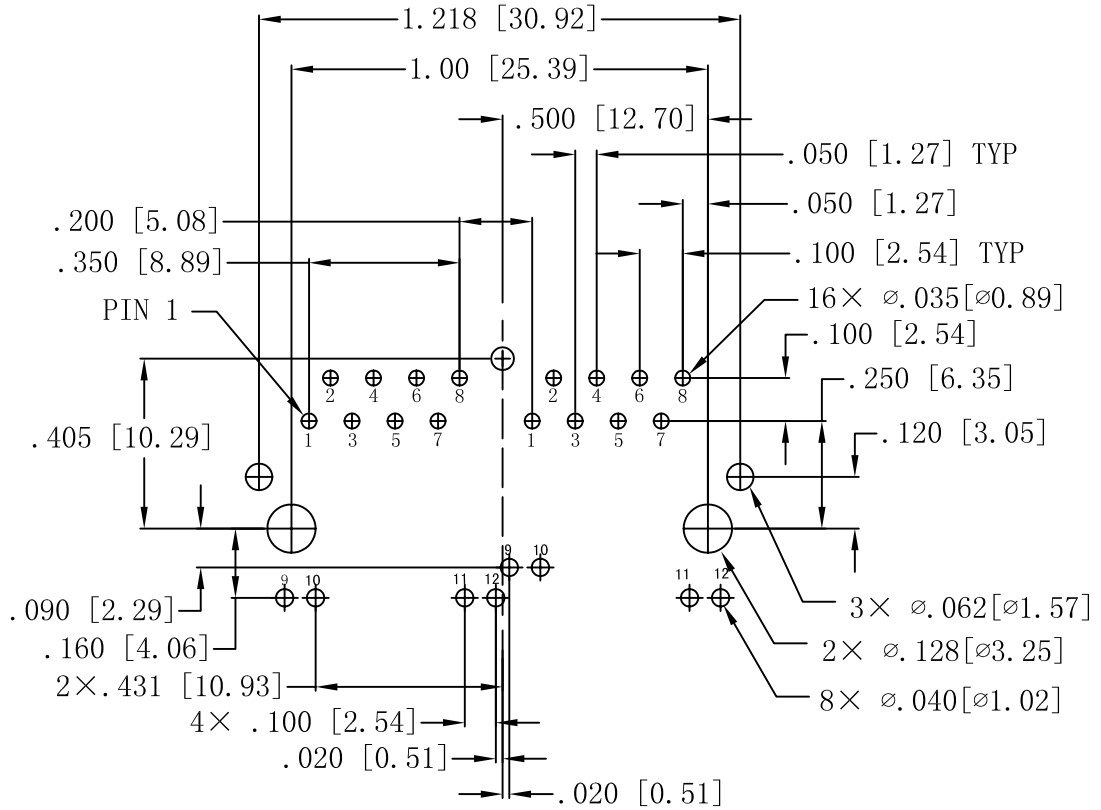
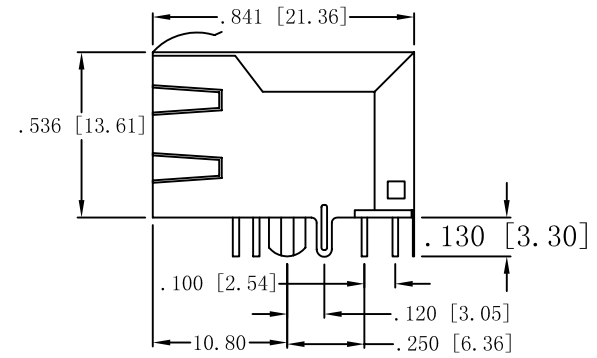
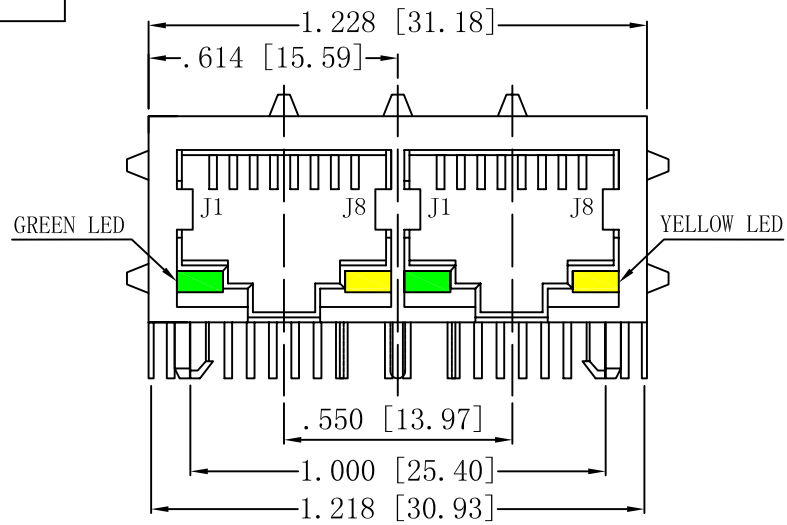
- Turns Ratio ( $\pm 2\%$ ) :  
TX=1CT:1CT      RX=1CT:1CT
- Insertion Loss:  
1-100MHz:-1.2dB Max
- Return Loss(dB Min):  
1-10MHz:-18      30MHz:-16  
60-100MHz:-12
- Crosstalk:  
1-100MHz:-30dB Min
- CMR:  
1-50MHz:-30dB Min  
50-130MHz:-20dB Min
- OCL: 350uH min  
@100KHz 100mV 8mA DC bias current.
- Isolation Voltage:1500V
- Operating Temperature:0-70°C



X:X	$\pm 0.20$	APPD:	LINK-PP INT'L TECHNOLOGY CO., LIMITED
X:XX	$\pm 0.10$	CHKD:	
X:XXX	$\pm 0.05$	DR: TOM	
ANGLES	$\pm 1^\circ$	UNIT: Inches/mm	Part No.: LPJ26204ABNL
	SCALE: 2/1	SHEET: 2/2	REV: A      DWG: LP10110201

# Mechanical:

REV.	ECN NO.	DESCRIPTION	DATE	APPD
A	REL		2010/11/02	



SUGGESTED PCB LAYOUT (TOP VIEW)

## NOTES:

1. Designed to support application, such as SOHO (ADSL modems), LAN-on-Motherboard (LOM), hub and Switches.
2. Meets IEEE 802.3 specification
3. Connector Materials:  
 Housing: Thermoplastic UL94V-0  
 Contact/Shield: Copper alloy  
 Shield plating: Nickel  
 Contact plating: Gold 6 micro-inches min. In contact area.
4. Wave solder tip temperature: 265°C Max  
 Wave solder tip temperature time: 5 Sec Max



X:X	±0.20	APPD:	LINK-PP INT'L TECHNOLOGY CO., LIMITED	
X:XX	±0.10	CHKD:	Title: RJ45 Connector With 10/100 Base-TX Integrated Magnetic	
X:XXX	±0.05	DR: TOM		
ANGLES	±1°	UNIT: Inches/mm	PART NO.: LPJ26204ABNL	
	SCALE: 2/1	SHEET: 1/2	REV: A	DWG: LP10110201