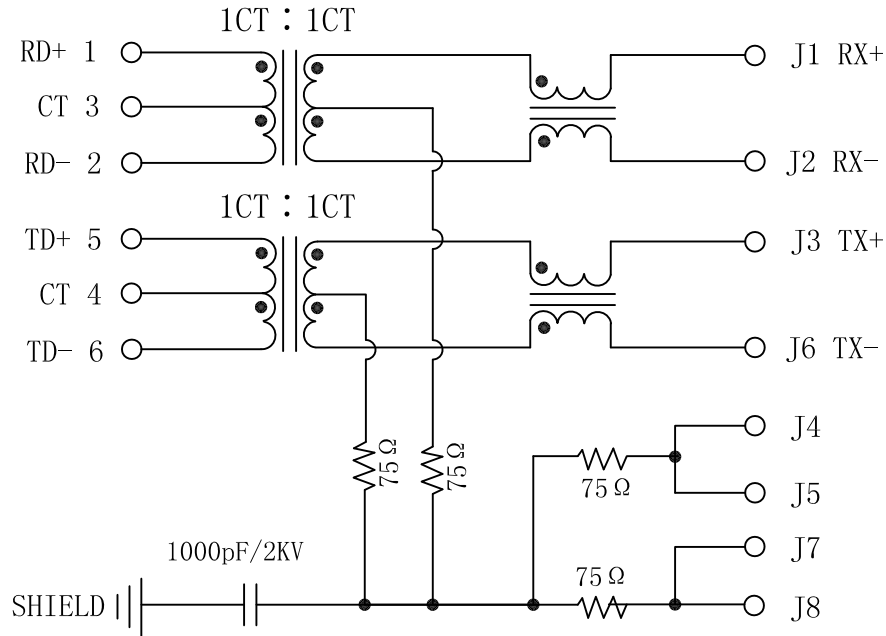


# Schematic:

REV.	ECN NO.	DESCRIPTION	DATE	APPD
A	REL		2013/12/04	

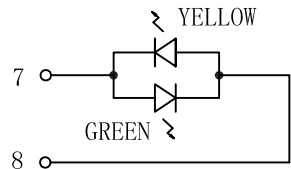
PCB SIDE TO PHY



CABLE

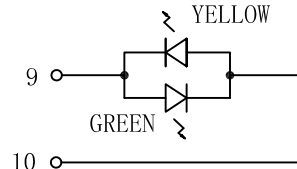
## Electrical Specification @25°C

- Turns Ratio( $\pm 2\%$ ):  
(P1-P3) : (J1-J2) = 1:1  
(P4-P6) : (J3-J6) = 1:1
- Inductance: 350uH Min  
@0.1V, 0.1MHz, 8mA DC Bias
- Insertion Loss:  
0.1-100MHz: -1.2dB Max
- Return Loss(dB Min):  
1-30MHz: -18  
30-80MHz: -12
- Crosstalk(dB Typ):  
1-100MHz: -40
- Common to Mode Rejection:  
30-100MHz: -35dB Min
- Hipot: 1500Vrms
- Operating Temperature: 0°C ~ +70°C.



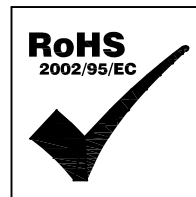
LEFT LED

LED POLARITY		COLOR
PIN 7	PIN 8	
+	-	GREEN
-	+	YELLOW



RIGHT LED

LED POLARITY		COLOR
PIN 9	PIN 10	
+	-	GREEN
-	+	YELLOW

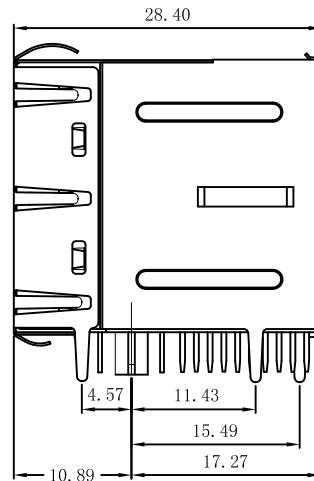
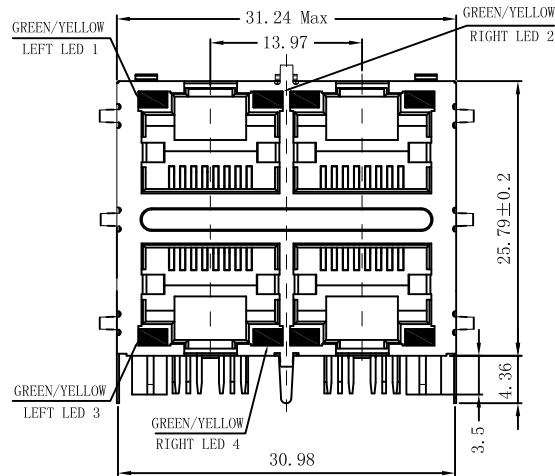


Emitting Color	$\lambda$ p(nm)	VF@IF=20mA	IR @VR=5V
Green	565	1.8~2.6V	20 $\mu$ A max
Yellow	585	1.8~2.6V	20 $\mu$ A max

X:X	$\pm 0.20$	APPD:	<b>LINK-PP</b> LINK-PP INT'L TECHNOLOGY CO., LIMITED
X:XX	$\pm 0.10$	CHKD:	
X:XXX	$\pm 0.05$	DR: TOM	TITLE: RJ45 .Transformer. 10/100 Base-T W/LED. 2x2 Port
ANGLES	$\pm 1^\circ$	UNIT: mm	PART NO.: LPJ27003-9A4NL
	SCALE: 2/1	SHEET: 1/2	REV: A
			DWG NO.: LP13120406

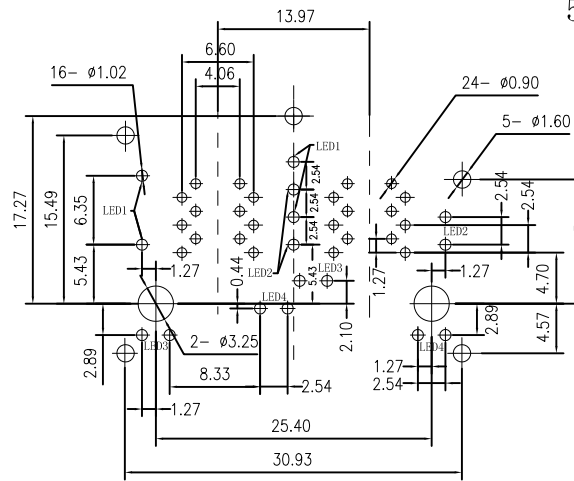
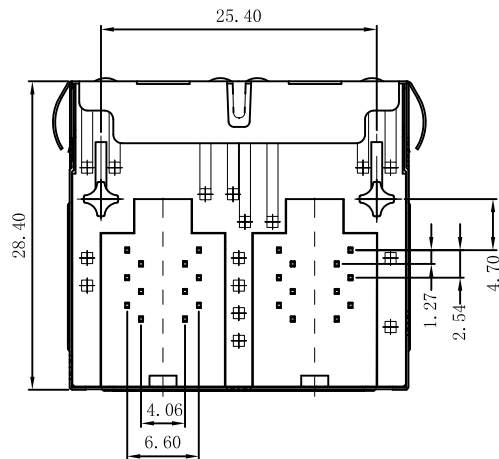
# Mechanical :

REV.	ECN NO.	DESCRIPTION	DATE	APPD
A	REL		2013/12/04	

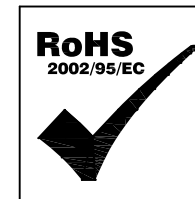


## NOTES:

1. Designed to support application, such as SOHO (ADSL modems), LAN-on-Motherboard (LOM), hub and Switches.
2. Meets IEEE 802.3af specification
3. PoE rating: 15W, 350mA, 48V (For PoE Products only)
4. Connector Materials:  
 Housing: Thermoplastic UL94V-0  
 Contact/Shield: Copper alloy  
 Shield plating: Nickel  
 Contact plating: Gold 50 micro-inches min. In contact area.
5. Wave solder tip temperature: 265°C Max  
 Wave solder tip temperature time: 5 Sec Max



SUGGESTED PCB LAYOUT (TOP VIEW)



X:X	±0.20	APPD:	<b>LINK-PP</b>	
X:XX	±0.10	CHKD:	LINK-PP INT'L TECHNOLOGY CO., LIMITED	
X:XXX	±0.05	DR: TOM	TITLE: RJ45 .Transformer. 10/100 Base-T W/LED. 2×2 Port	
ANGLES	±1°	UNIT: mm	PART NO. : LPJ27003-9A4NL	
	SCALE: 2/1	SHEET: 2/2	REV: A	DWG NO. : LP13120406