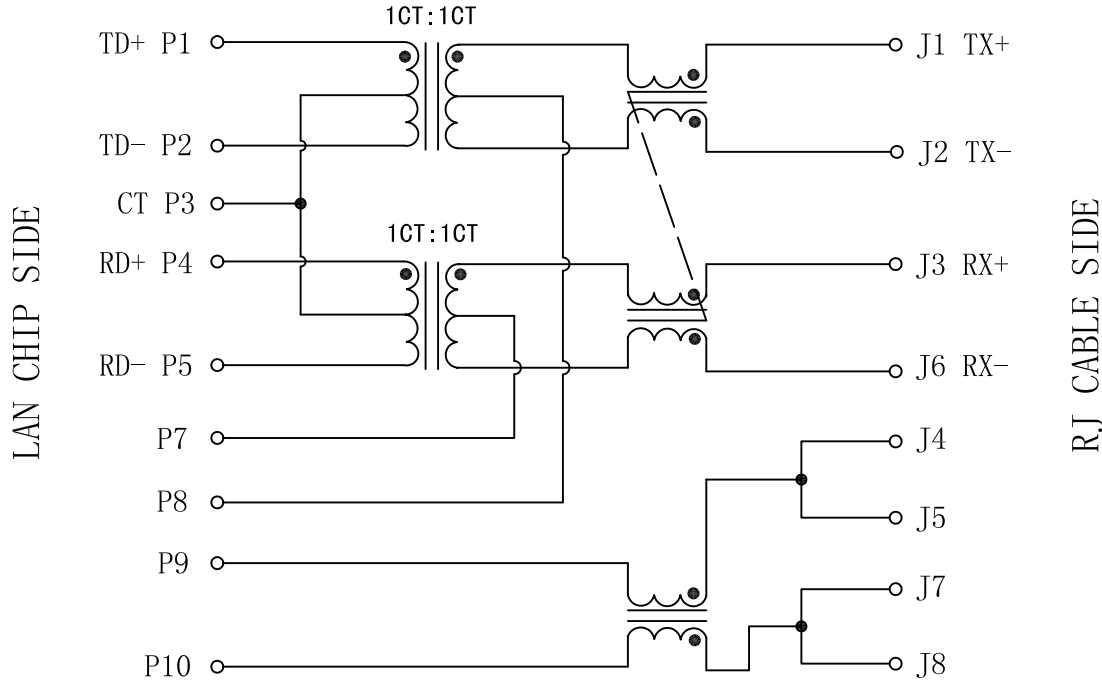


Schematic:

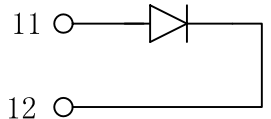
REV.	ECN NO.	DESCRIPTION	DATE	APPD
A	REL		31/11/2009	



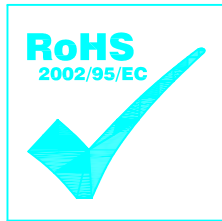
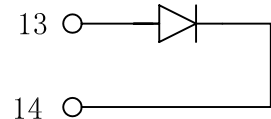
Electrical Specifications @25°C

- Turns Ratio:
TX=1CT:1CT RX=1CT:1CT
- Inductance: 350uH MIN
@100KHz, 0.1Vrms, 8mA DC bias
- Insertion Loss:
0.1~100MHz:-1.1dB MAX
- Return Loss(dB MIN):
0.5~30MHz:-18 40MHz:-15.5
50MHz:-13.6 60~80MHz:-12
- Crosstalk:
0.1~100MHz:-38 dB TYP
- Common Mode Rejection(dB MIN):
0.1~30MHz:-50 30~60MHz:-40
60~100MHz:-30
- Hipot: 1500Vrms
- Operating Temperature: -40~+85°C.

GREEN/LEFT LED



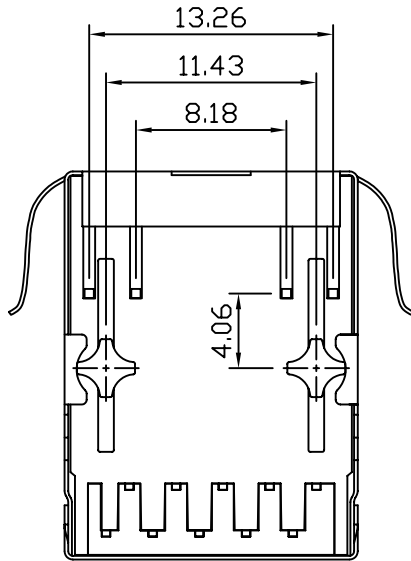
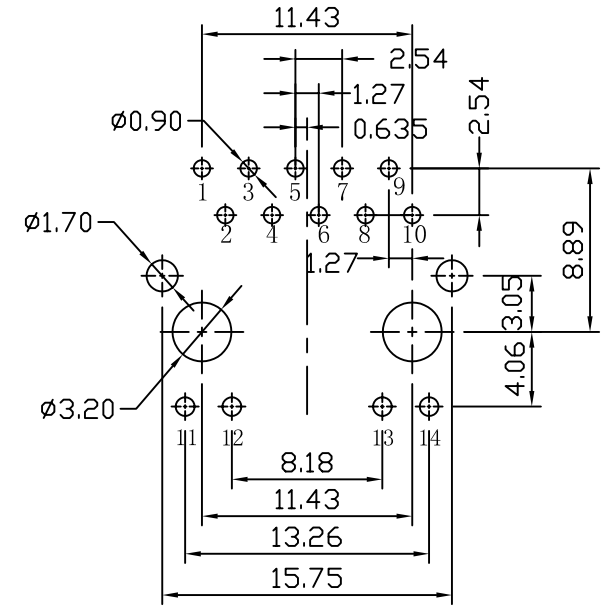
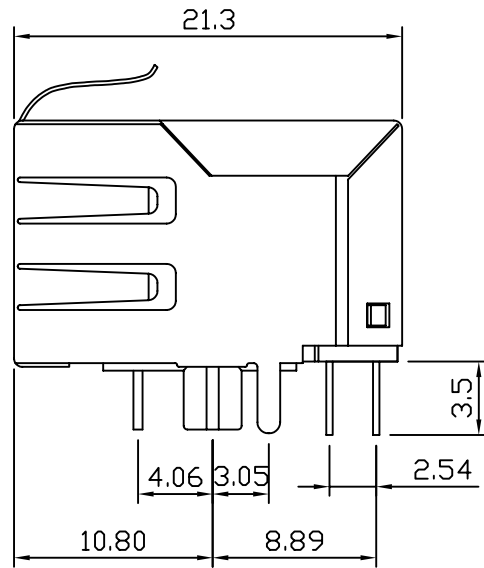
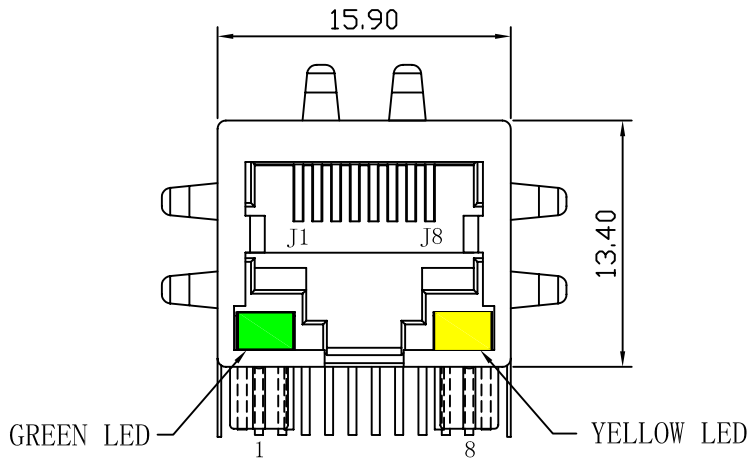
YELLOW/RIGHT LED



X:X ±0.25	APPD:	LINK-PP INT'L TECHNOLOGY CO., LIMITED
X:XX ±0.10	CHKD:	
X:XXX ±0.05	DR: TOM	
ANGLES ±1°	UNIT: mm	TITLE: RJ45 Connector with 10/100 Base-TX Integrated Magnetics
		PART NO.: LPJ4519GENL
	SCALE: 2/1	SHEET: 1/2
	REV: A	DWG NO.: LP09111306

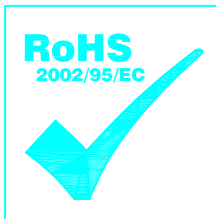
Mechanical:

REV.	ECN NO.	DESCRIPTION	DATE	APPD
A	REL		13/11/2009	



NOTES:

1. Designed to support application, such as SOHO (ADSL modems), LAN-on-Motherboard (LOM), hub and Switches.
2. Meets IEEE 802.3 specification
3. Connector Materials:
 Housing: Thermoplastic UL94V-0
 Contact/Shield: Copper alloy
 Shield plating: Nickel
 Contact plating: Gold 6 micro-inches min. In contact area.
4. Wave solder tip temperature: 265°C Max
 Wave solder tip temperature time: 5 Sec Max



X:X ±0.25	APPD:	LINK-PP INT'L TECHNOLOGY CO., LIMITED
X:XX ±0.10	CHKD:	
X:XXX ±0.05	DR: TOM	TITLE: RJ45 Connector with 10/100 Base-TX Integrated Magnetics
ANGLES ±1°	UNIT: mm	PART NO.: LPJ4519GENL
	SCALE: 2/1	SHEET: 2/2
	REV: A	DWG NO.: LP09111306