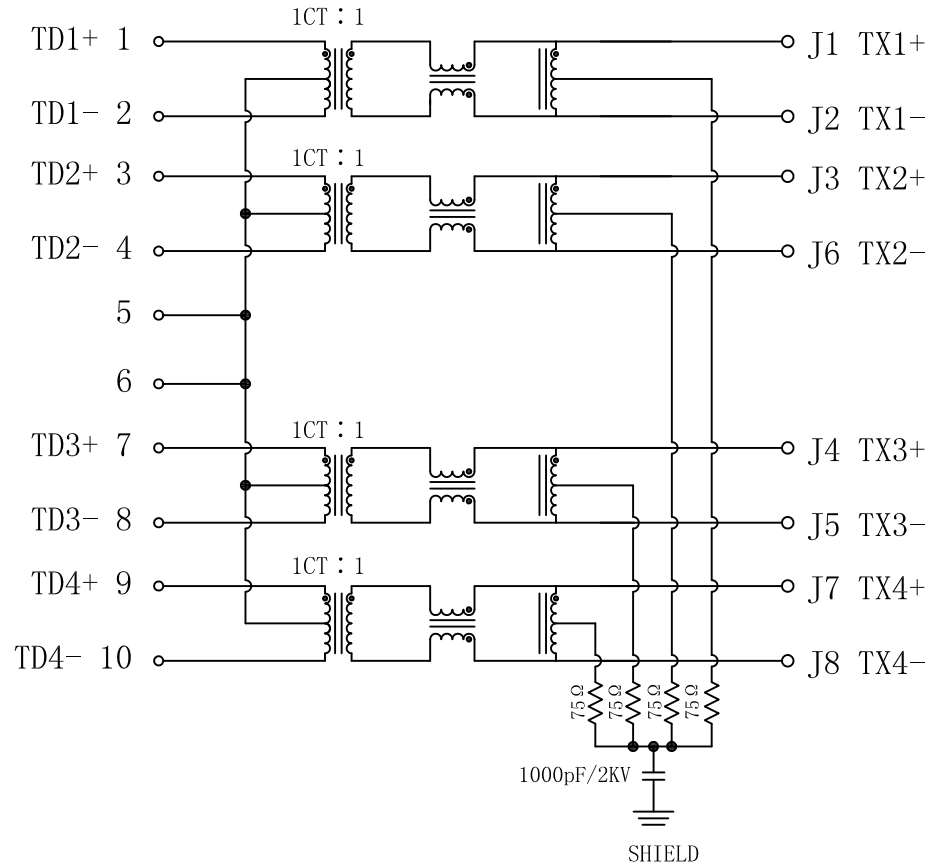


Schematic:

REV.	ECN NO.	DESCRIPTION	DATE	APPD
A	REL		2010/07/21	

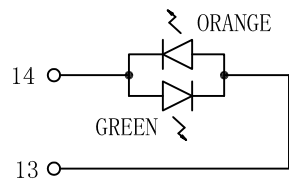
PCB CONNECTIONS



RJ45 CONNECTOR

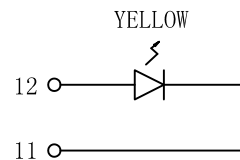
ELECTRICAL SPECIFICATIONS @25°C

- Turn Ratio($\pm 2\%$):
1CT : 1
- Inductance OCL: 350uH MIN
@100KHz, 0.1V, 8mA DC Bias
- Insertion Loss:
-1.0dB MAX @ 1~100MHz
-1.2dB MAX @ 100~125MHz
- Return Loss(@100 Ω):
-18dB MIN @ 1~30MHz
-16dB MIN @ 30~60MHz
-12dB MIN @ 60~80MHz
-10dB MIN @ 80~100MHz
- Cross talk:
-30dB MIN @ 1~100MHz
- Common Mode Rejection:
-30dB MIN @ 1~100MHz
- Hipot Test: 1500Vrms MIN
- Operating Temperature: 0 TO 70°C.



LEFT LED

LED POLARITY		COLOR
PIN 13	PIN 14	
+	-	ORANGE
-	+	GREEN



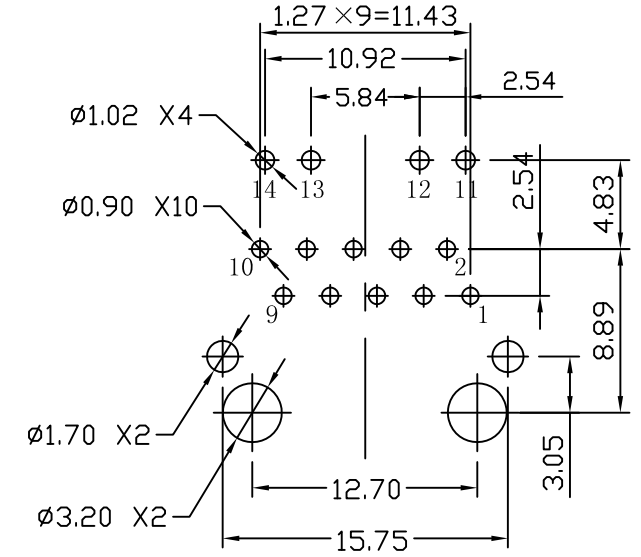
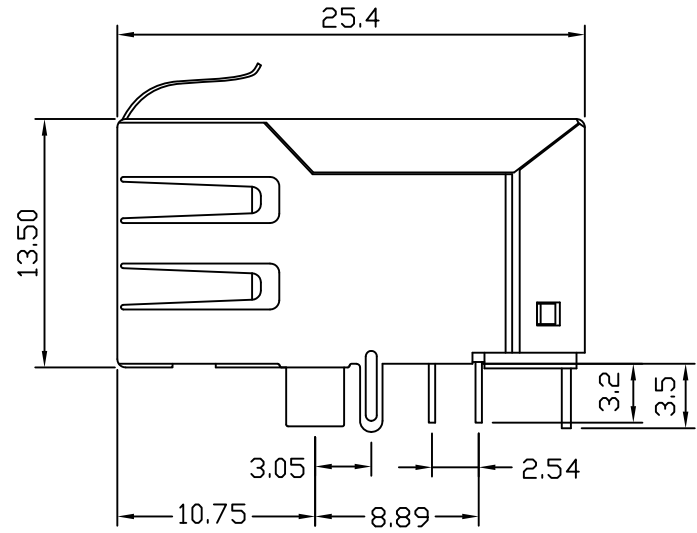
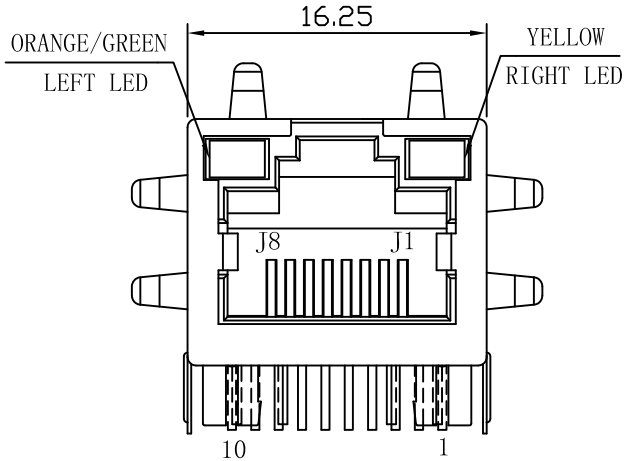
RIGHT LED

LED POLARITY		COLOR
PIN 11	PIN 12	
-	+	YELLOW

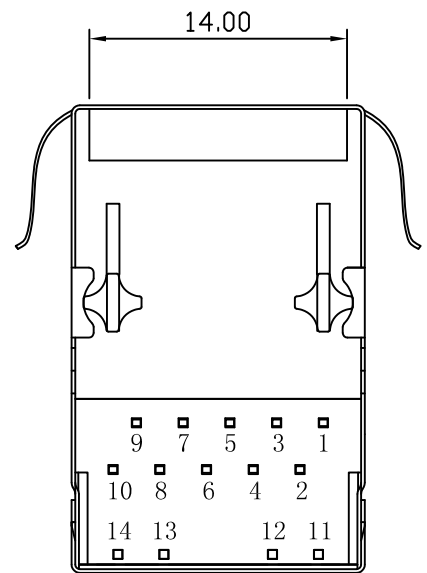
X:X	± 0.30	APPD:	LINK-PP INT'L TECHNOLOGY CO., LIMITED	
X:XX	± 0.25	CHKD:	TITLE: RJ45 Connector with 1000 Base-T Integrated Magnetics	
X:XXX	± 0.05	DR: TOM	PART NO.: LPJG17305-1AONL	
ANGLES	$\pm 1^\circ$	UNIT: mm	DWG NO.: LP10072116	
		SCALE: 2/1	SHEET: 1/2	REV: A

Mechanical:

REV.	ECN NO.	DESCRIPTION	DATE	APPD
A	REL		2010/07/21	



SUGGESTED PCB LAYOUT (TOP VIEW)



NOTES:

1. Designed to support application, such as SOHO (ADSL modems), LAN-on-Motherboard (LOM), hub and Switches.
2. Meets IEEE 802.3 specification
3. Connector Materials:
 Housing: Thermoplastic UL94V-0
 Contact/Shield: Copper alloy
 Shield plating: Nickel
 Contact plating: Gold 6 micro-inches min. In contact area.
4. Wave solder tip temperature: 265°C Max, 5 Sec Max.



X:X ±0.30	APPD:	LINK-PP INT'L TECHNOLOGY CO., LIMITED
X:XX ±0.25	CHKD:	
X:XXX ±0.05	DR: TOM	TITLE: RJ45 Connector with 1000 Base-T Integrated Magnetics
ANGLES ±1°	UNIT: mm	PART NO.: LPJG17305-1AONL
	SCALE: 2/1	SHEET: 2/2
	REV: A	DWG NO.: LP10072116