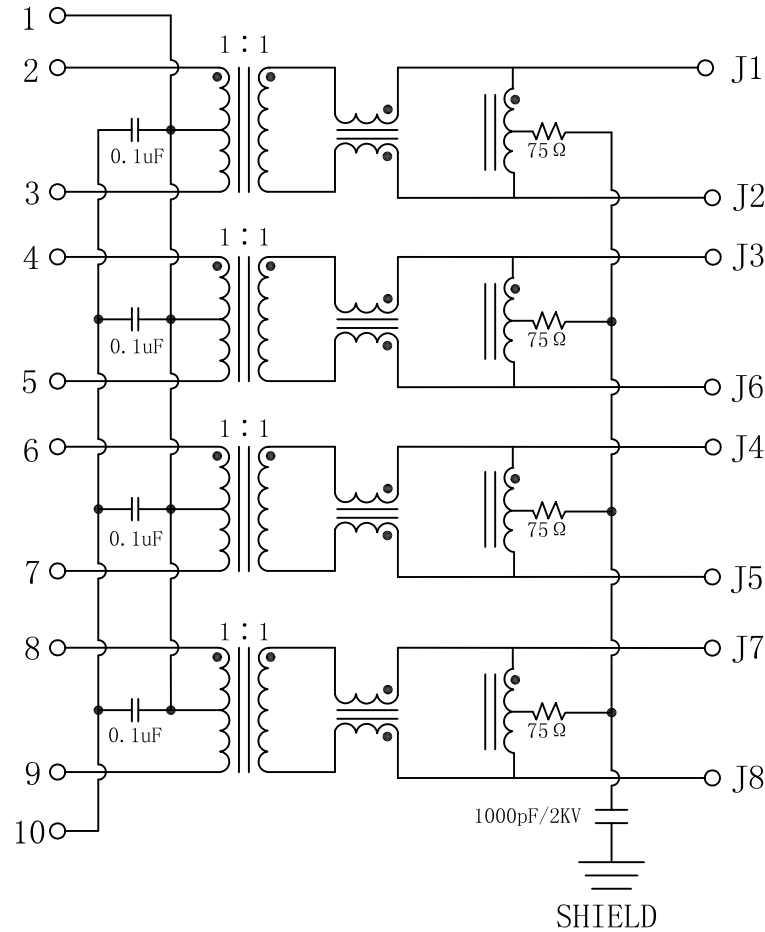


Schematic:

| REV. | ECN NO. | DESCRIPTION | DATE | APPD |
|------|---------|-------------|------------|------|
| A | REL | | 2008/07/09 | |

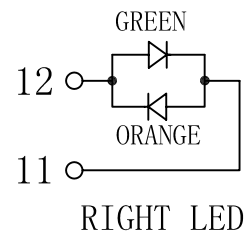
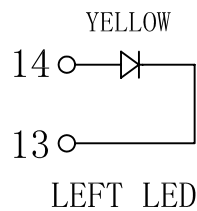
PC BOARD CONNECTIONS



RJ45 CONNECTOR

Electrical Specifications @25°C

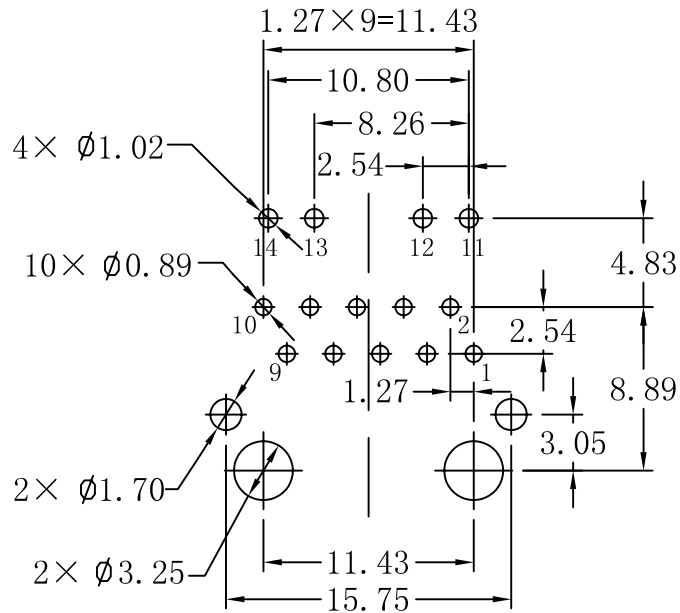
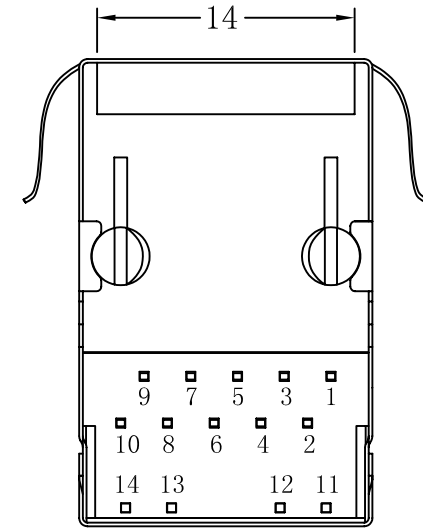
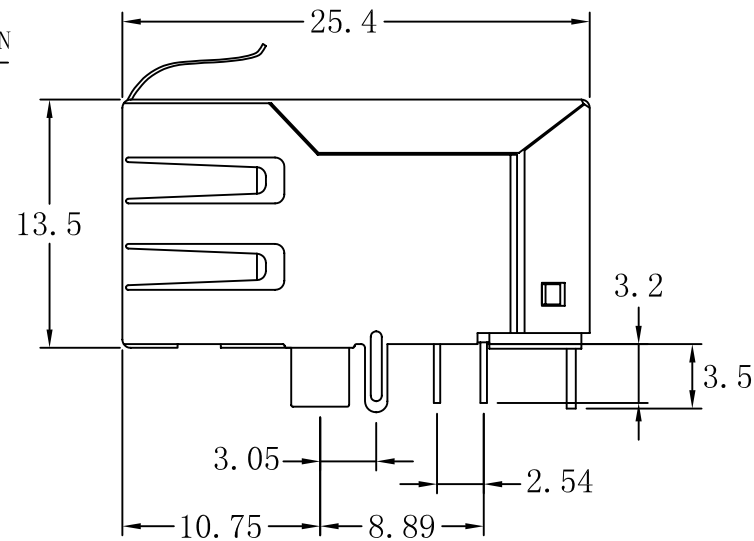
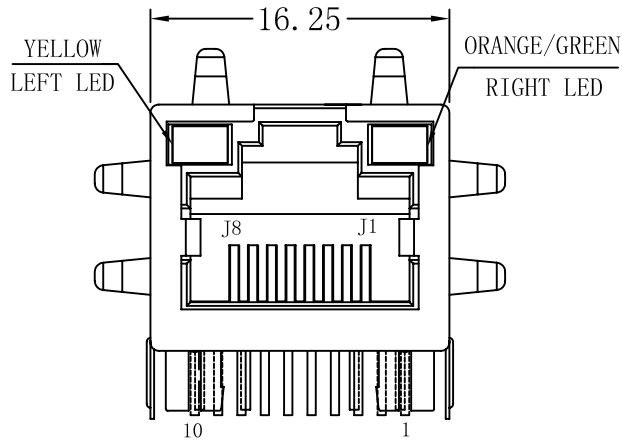
- Turns Ratio:
TX=1:1 RX=1:1
- Insertion Loss:
0.1-100MHz: -1.0dB Max
- Return Loss:
1-30MHz:-18dB Min
30-60MHz:-16dB Min
60-80MHz:-12dB Min
60-100MHz:-10dB Min
- Crosstalk:
1-100MHz:-25dB Min
- Common Mode Rejection:
1-100MHz:-30dB Min
- Inductance: 350uH Min
@100KHz, 0.1V, 8mA DC Bias
- Hi-Pot : 1500VAC/0.5mA
- Operating Temperature: 0°C~70°C.



| | | | | |
|--------|------------|------------|---|--|
| X:X | ±0.25 | APPD: | LINK-PP INT'L TECHNOLOGY CO., LIMITED | |
| X:XX | ±0.20 | CHKD: | TITLE: RJ45 Connector with 1000 Base-T Integrated Magnetics | |
| X:XXX | ±0.05 | DR: TOM | PART NO. : LPJG17333ASNL | |
| ANGLES | ±1° | UNIT: mm | DWG NO. : LP08070912 | |
| | SCALE: 2/1 | SHEET: 1/2 | REV: A | |

Mechanical:

| REV. | ECN NO. | DESCRIPTION | DATE | APPD |
|------|---------|-------------|------------|------|
| A | REL | | 2008/07/09 | |



SUGGESTED PCB LAYOUT(TOP VIEW)



NOTES:

1. Designed to support application, such as SOHO (ADSL modems), LAN-on-Motherboard (LOM), hub and Switches.
2. Meets IEEE 802.3 specification
3. Connector Materials:
Housing: Thermoplastic UL94V-0
Contact/Shield: Copper alloy
Shield plating: Nickel
Contact plating: Gold 6 micro-inches min. In contact area.
4. Wave solder tip temperature: 265°C Max.
Wave solder tip temperature time: 5 Sec Max

| | | |
|-------------|------------|---|
| X:X ±0.25 | APPD: | LINK-PP INT'L TECHNOLOGY CO., LIMITED |
| X:XX ±0.20 | CHKD: | |
| X:XXX ±0.05 | DR: TOM | TITLE: RJ45 Connector with 1000 Base-T Integrated Magnetics |
| ANGLES ±1° | UNIT: mm | PART NO.: LPJG17333ASNL |
| | SCALE: 2/1 | SHEET: 2/2 |
| | REV: A | DWG NO.: LP08070912 |