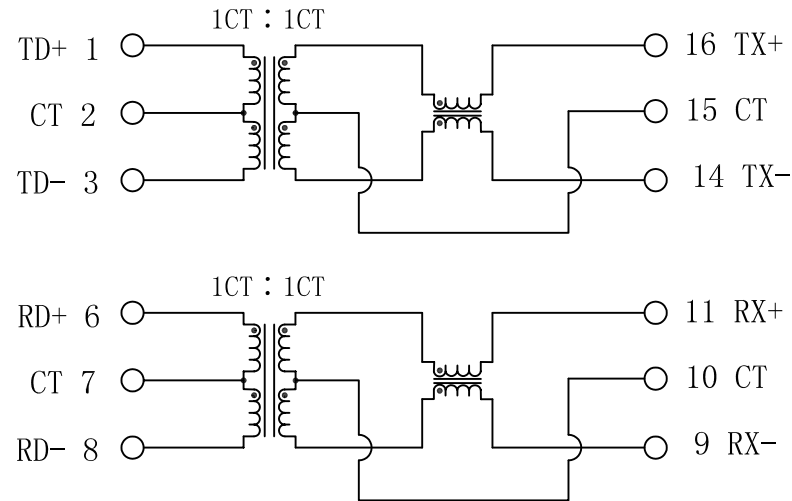


# Schematic:

REV.	ECN NO.	DESCRIPTION	DATE	APPD
A	REL		2010/06/02	



## Electrical Specifications @25°C

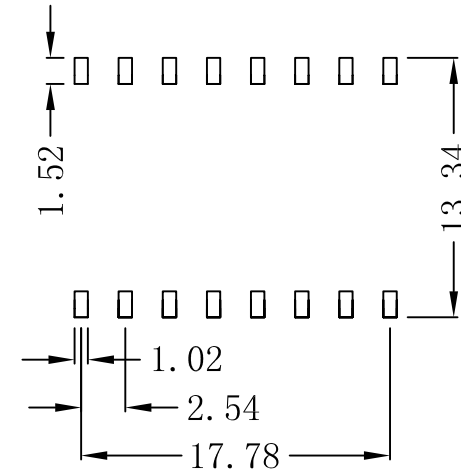
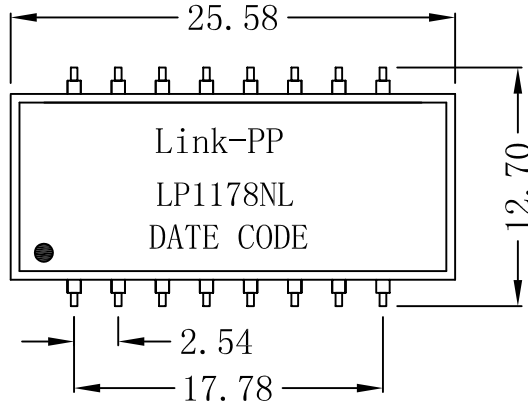
- Insertion Loss:  
0.1-100MHz: -1.5dB MAX
- Return Loss (dB MIN @100Ω):  
1-30MHz: -18      40MHz: -13.5  
50MHz: -11.5      60-80MHz: -10
- Crosstalk (dB TYP):  
30MHz: -50      60MHz: -40  
100MHz: -40
- DCMR (dB MIN):  
30MHz: -42      60MHz: -37  
100MHz: -33
- Hipot: 1500Vrms MIN
- Operating Temperature: -40°C ~ +85°C.



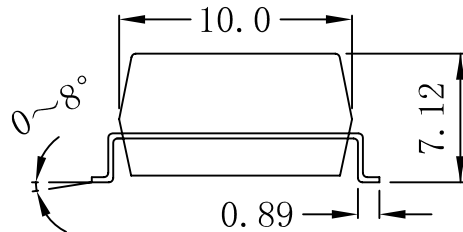
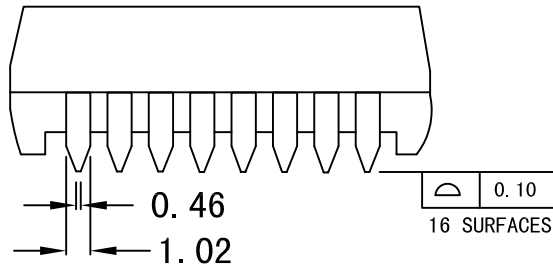
X:X	±0.20	APPD:	LINK-PP INT'L TECHNOLOGY CO., LIMITED	
X:XX	±0.10	CHKD:	Title: 10/100Base-T Single Port Transformer Modules	
X:XXX	±0.05	DR: TOM	PART NO.: LP1178NL	
ANGLES	±1°	UNIT: mm		
	SCALE: 2/1	SHEET: 1/2	REV: A	DWG NO.: LP10060201

# Mechanical :

REV.	ECN NO.	DESCRIPTION	DATE	APPD
A	REL		2010/06/02	



SUGGESTED PAD LAYOUT



## NOTES:

1. Designed to support application, such as SOHO (ADSL modems), LAN-on-Motherboard (LOM), hub and Switches.
2. With various Turns Ratios.
3. 350uH min OCL with 8mA bias current.
4. RoHS "NL" peak solder rating 245°C.

X:X	±0.20	APPD:	LINK-PP INT'L TECHNOLOGY CO., LIMITED	
X:XX	±0.10	CHKD:	Title: 10/100Base-T Single Port Transformer Modules	
X:XXX	±0.05	DR: TOM	PART NO. : LP1178NL	
ANGLES	±1°	UNIT: mm		
SCALE: 2/1		SHEET: 2/2		REV: A
		DWG NO. : LP10060201		