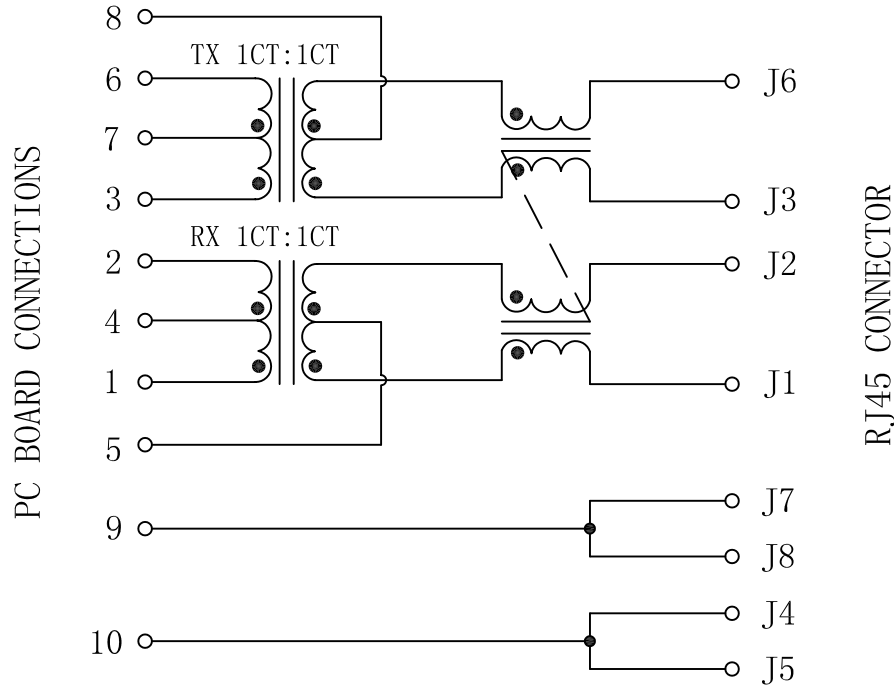


# Schematic:

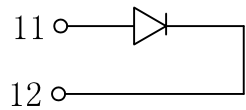
REV.	ECN NO.	DESCRIPTION	DATE	APPD
A	REL		11/10/2009	



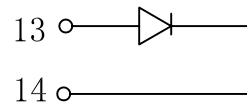
## Electrical Specifications @25°C

- Inductance: 350uH Min
- Turns Ratio ( $\pm 3\%$ ) :  
TX=1CT:1CT      RX=1CT:1CT
- Insertion Loss:  
1-100MHz:-1.2dB Max
- Return Loss (dB Min):  
1-30MHz:-16      40MHz:-14  
50MHz:-13      60-80MHz:-12
- Crosstalk (dB Min):  
30MHz:-43      60MHz:-37  
100MHz:-33
- Differential to common mode rejection:  
30MHz:-50dB Min  
60MHz:-43dB Min  
100MHz:-35dB Min
- Isolation Voltage: 1500Vrms
- Operating Temperature Range: -40°C ~ +85°C.

GREEN/LEFT LED



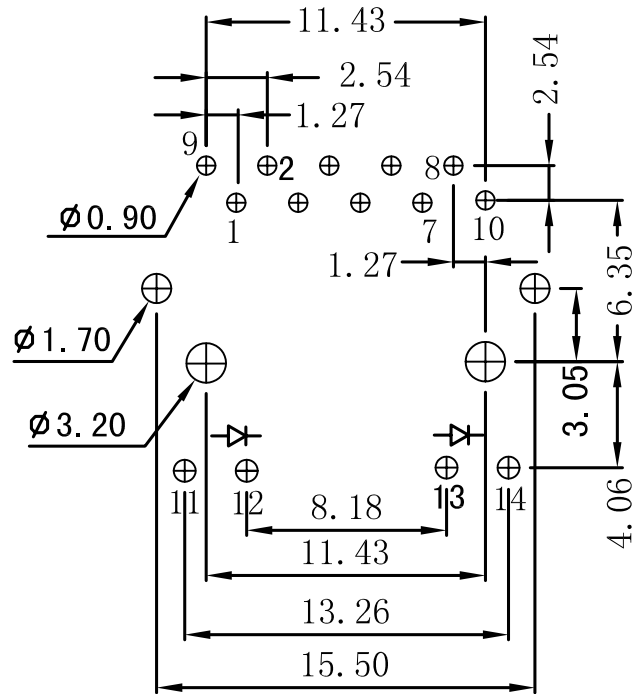
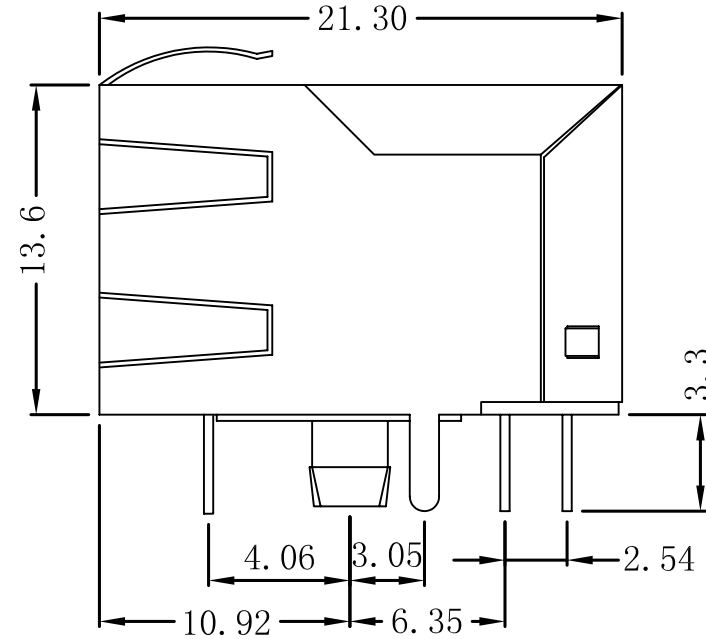
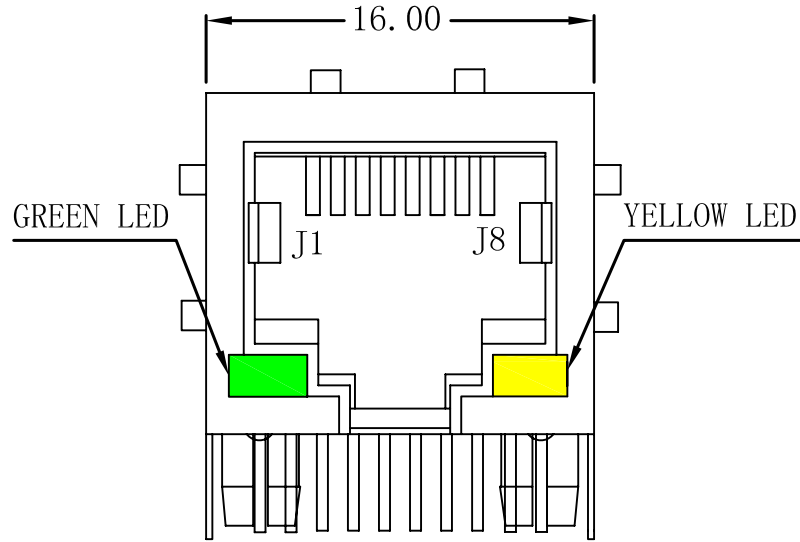
YELLOW/RIGHT LED



X:X	$\pm 0.20$	APPD:	LINK-PP INT'L TECHNOLOGY CO., LIMITED	
X:XX	$\pm 0.10$	CHKD:	Title: RJ45 Connector with 10/100 Base-TX Integrated VoIP Magnetic	
X:XXX	$\pm 0.05$	DR: TOM		
ANGLES	$\pm 1^\circ$	UNIT: mm	PART NO.:	LPJ4514GENL
	SCALE: 2/1	SHEET: 1/2	REV: A	DWG NO.: LP09101101

# Mechanical :

REV.	ECN NO.	DESCRIPTION	DATE	APPD
A	REL		11/10/2009	



SUGGESTED PCB LAYOUT (TOP VIEW)

## NOTES:

1. Designed to support application, such as SOHO (ADSL modems), LAN-on-Motherboard (LOM), hub and Switches.
2. Meets IEEE 802.3 specification
3. Connector Materials:  
Housing: Thermoplastic UL94V-0  
Contact/Shield: Copper alloy  
Shield plating: Nickel  
Contact plating: Gold 6 micro-inches min. In contact area.
4. Designed to handle 600mA DC for PoE.
5. Wave solder tip temperature: 265°C Max  
Wave solder tip temperature time: 5 Sec Max



X:X	±0.20	APPD:	LINK-PP INT'L TECHNOLOGY CO., LIMITED
X:XX	±0.10	CHKD:	
X:XXX	±0.05	DR: TOM	Title: RJ45 Connector with 10/100 Base-TX Integrated VoIP Magnetic
ANGLES	±1°	UNIT: mm	PART NO.: LPJ4514GENL
	SCALE: 2/1	SHEET: 2/2	REV: A DWG NO.: LP09101101