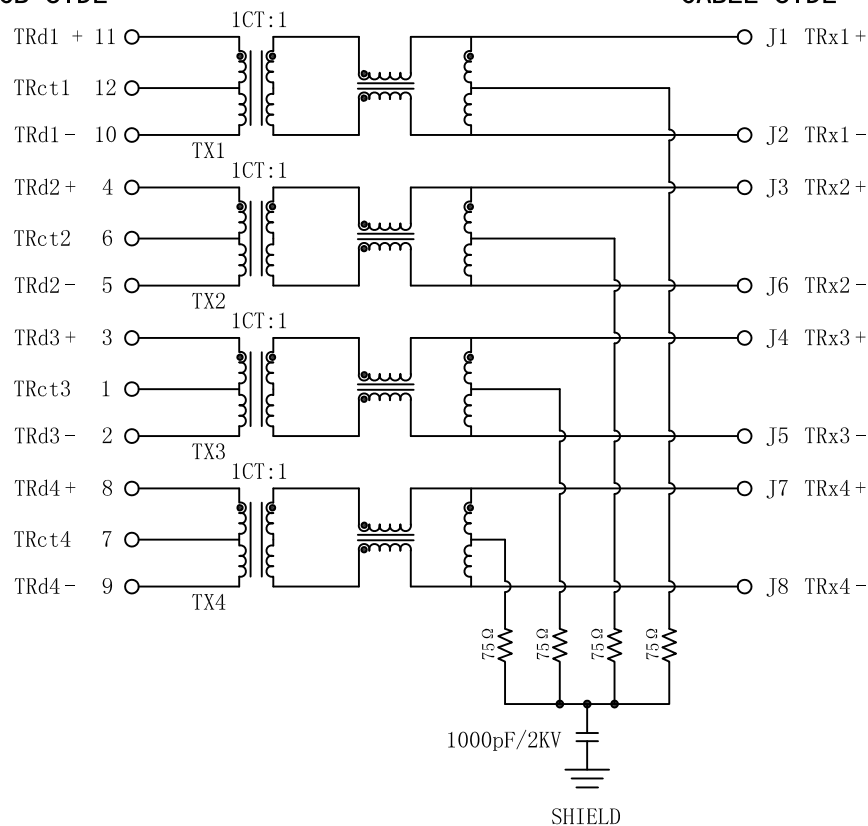


Schematic:

REV.	ECN NO.	DESCRIPTION	DATE	APPD
A	REL		2012/08/14	

PCB SIDE

CABLE SIDE



Electrical Specifications @25°C

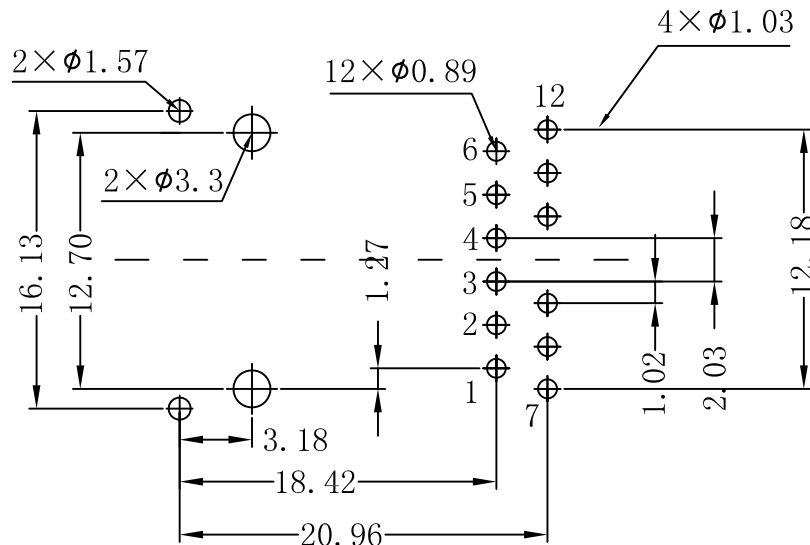
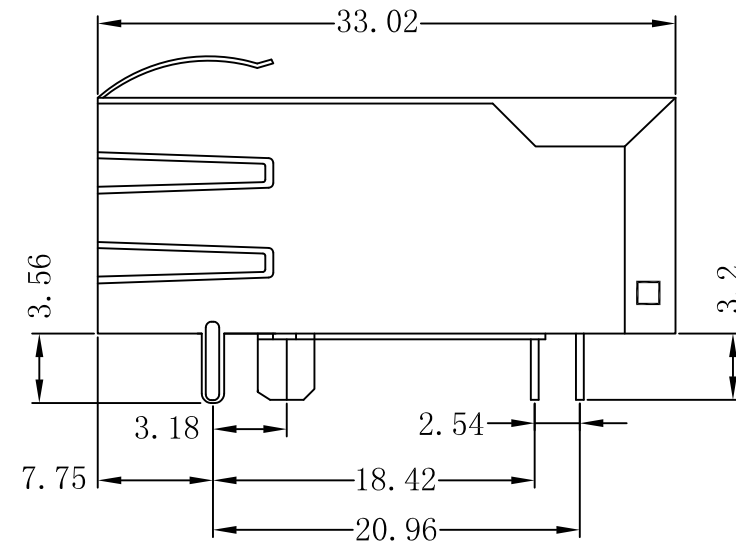
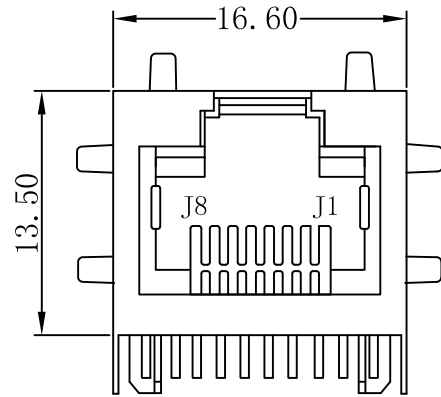
- Turns Ratio($\pm 2\%$): 1CT : 1
- Insertion Loss:
1-100MHz:-1.0dB Max
- Return Loss(dB Min):
1-10MHz:-20 30MHz:-16
60-80MHz:-12 80-100MHz:-10
- Crosstalk(dB Min):
1-10MHz:-40 32-65MHz:-35
65-100MHz:-30
- CMR(dB Min):
1-125MHz:-30 125-500MHz:-20
- Hipot: 1500Vrms @60Hz
- OCL: 350uH Min
@100KHz/0.1Vrms 8mA DC BIAS
- Operating Temperature: -40°C ~ +85°C.



X:X	± 0.30	APPD:	LINK-PP INT'L TECHNOLOGY CO., LIMITED
X:XX	± 0.25	CHKD:	
X:XXX	± 0.05	DR: TOM	TITLE: RJ45 Connector with 1000 Base-TX Integrated Magnetic
ANGLES	$\pm 1^\circ$	UNIT: mm	PART NO.: LPJK4071CNL
	SCALE: 2/1	SHEET: 1/2	REV: A DWG NO.: LP12081420

Mechanical :

REV.	ECN NO.	DESCRIPTION	DATE	APPD
A	REL		2012/08/14	



SUGGESTED PCB LAYOUT(TOP VIEW)

NOTES:

1. Designed to support application, such as SOHO (ADSL modems), LAN-on-Motherboard (LOM), hub and Switches.
2. Meets IEEE 802.3 specification
3. Connector Materials:
Housing: Thermoplastic UL94V-0
Contact/Shield: Copper alloy
Shield plating: Nickel
Contact plating: Gold 6 micro-inches min. In contact area.
4. Wave solder tip temperature: 265°C Max, 5 Sec Max



X:X	±0.30	APPD:	LINK-PP INT'L TECHNOLOGY CO., LIMITED
X:XX	±0.25	CHKD:	TITLE: RJ45 Connector with 1000 Base-TX Integrated Magnetic
X:XXX	±0.05	DR: TOM	PART NO.: LPJK4071CNL
ANGLES	±1°	UNIT: mm	
	SCALE: 2/1	SHEET: 2/2	REV: A DWG NO.: LP12081420