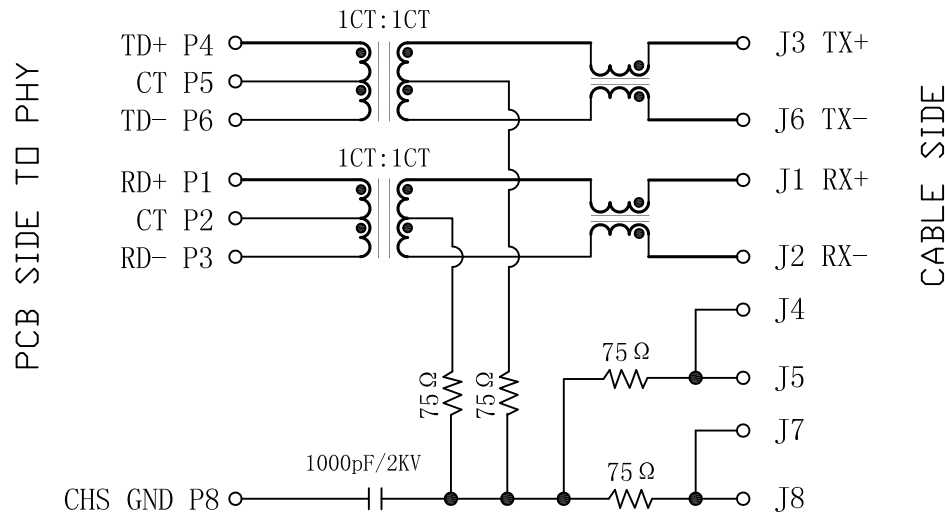


# Schematic:

REV.	ECN NO.	DESCRIPTION	DATE	APPD
A	REL		2010/03/25	



## Electrical Specifications @25°C

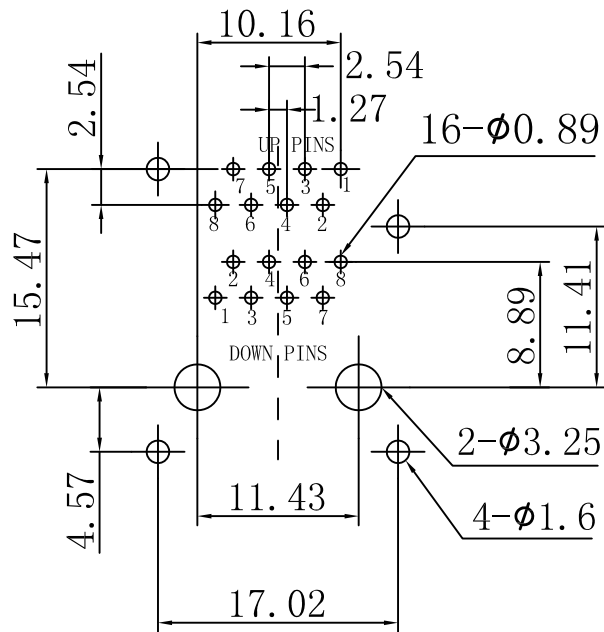
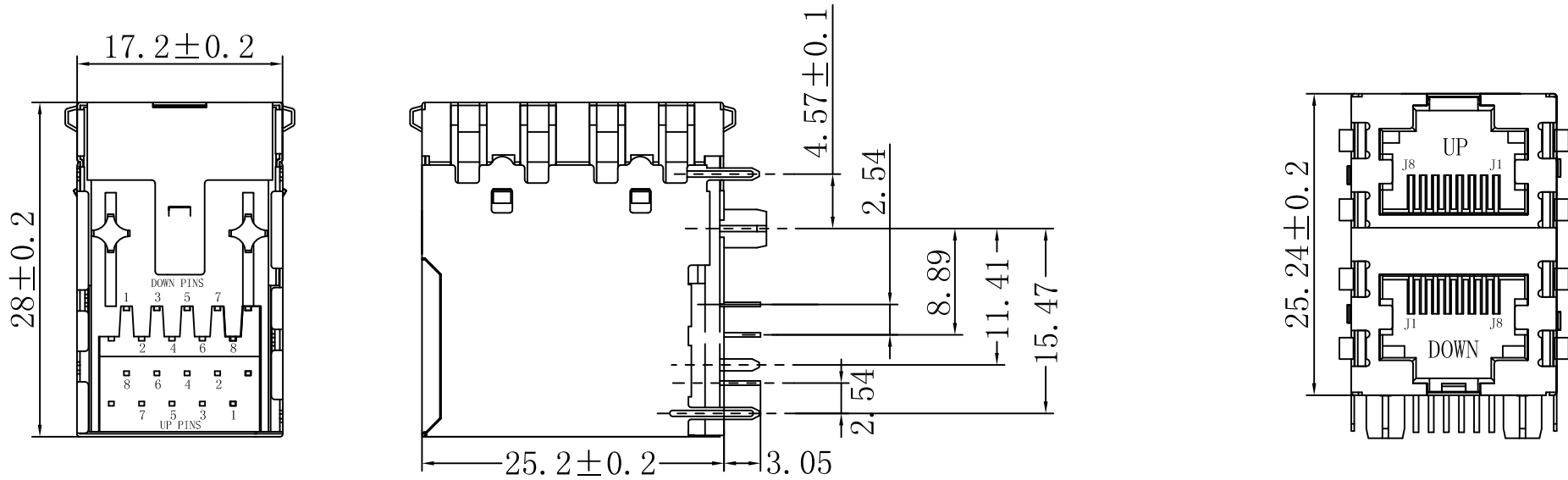
- Turns Ratio ( $\pm 3\%$ ):  
TX=1CT:1CT      RX=1CT:1CT
- Inductance: 350uH MIN  
@100KHz, 0.1V, 8mA DC BIAS
- Insertion Loss:  
1-65MHz:      -1.0dB MAX
- Return Loss ( $100 \Omega \pm 15 \Omega$ ):  
1-10MHz:      -20dB MIN  
10-30MHz:     -16dB MIN  
30-60MHz:     -12dB MIN  
60-80MHz:     -12dB MIN
- Crosstalk:  
1-30MHz:      -40dB MIN  
30-60MHz:     -35dB MIN  
60-100MHz:    -30dB MIN
- Common Mode Rejection:  
1-50MHz:      -30dB MIN  
50-150MHz:    -20dB MIN
- Hipot: 1500Vrms
- Operating Temperature:  $-40^\circ\text{C} \sim +85^\circ\text{C}$ .



X:X	$\pm 0.20$	APPD:	LINK-PP INT'L TECHNOLOGY CO., LIMITED	
X:XX	$\pm 0.10$	CHKD:	TITLE: RJ45 10/100 Base-T Transformer 2x1	
X:XXX	$\pm 0.05$	DR: TOM	PART NO.: LPJ17202CNL	
ANGLES	$\pm 1^\circ$	UNIT: mm		
	SCALE: 2/1	SHEET: 1/2	REV: A	DWG NO.: LP10032506

# Mechanical:

REV.	ECN NO.	DESCRIPTION	DATE	APPD
A	REL		2010/03/25	



SUGGESTED PCB LAYOUT (TOP VIEW)

## NOTES:

1. Designed to support application, such as SOHO (ADSL modems), LAN-on-Motherboard (LOM), hub and Switches.
2. Meets IEEE 802.3 specification
3. Connector Materials:  
 Housing: Thermoplastic UL94V-0  
 Contact/Shield: Copper alloy  
 Shield plating: Nickel  
 Contact plating: Gold 6 micro-inches min. In contact area.
4. Wave solder tip temperature: 265°C Max  
 Wave solder tip temperature time: 5 Sec Max



X:X	±0.20	APPD:	LINK-PP INT'L TECHNOLOGY CO., LIMITED	
X:XX	±0.10	CHKD:	TITLE: RJ45 10/100 Base-T Transformer 2×1	
X:XXX	±0.05	DR: TOM	PART NO.: LPJ17202CNL	
ANGLES	±1°	UNIT: mm	SHEET: 2/2	
		SCALE: 2/1	REV: A	DWG NO.: LP10032506