

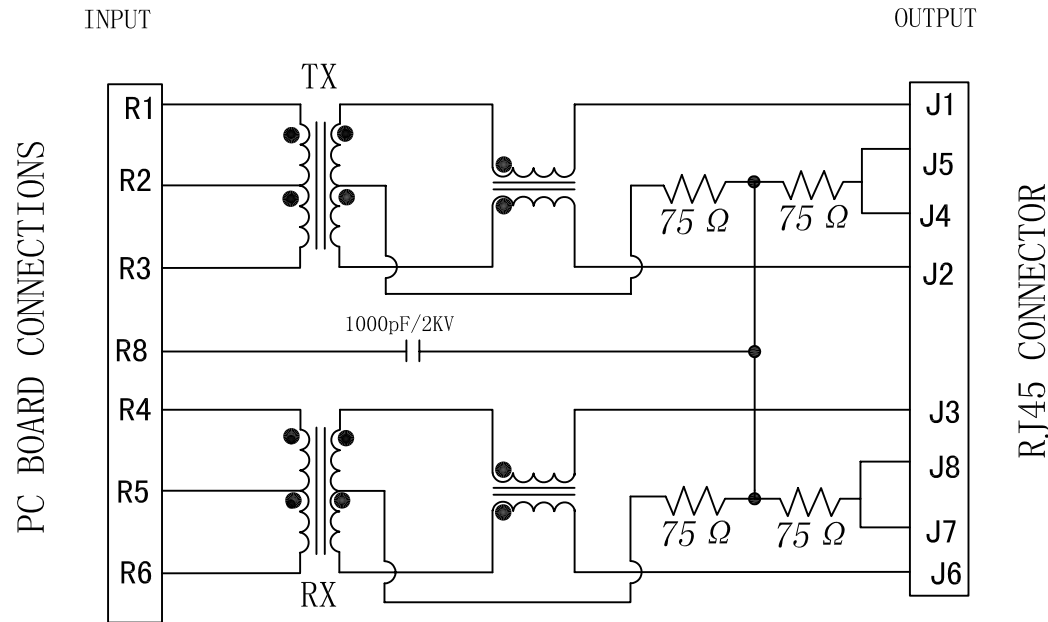
Schematic:

| REV. | ECN NO. | DESCRIPTION | DATE | APPD |
|------|---------|-------------|------------|------|
| A | REL | | 2010/07/08 | |

Electrical Specification:

TEST NOTES (25±5°C)

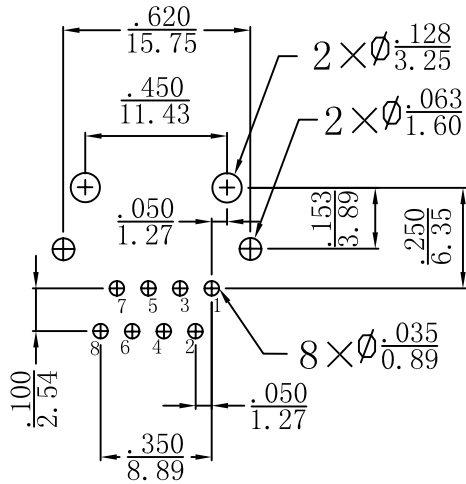
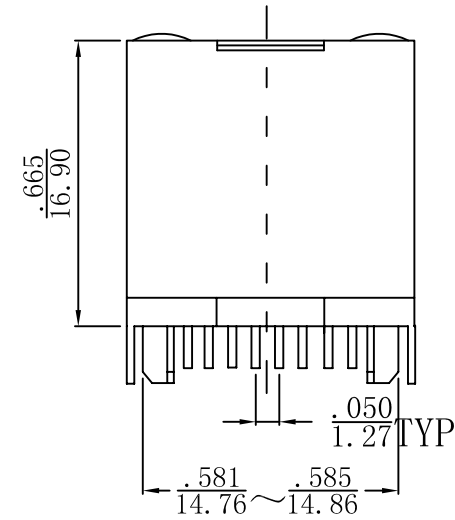
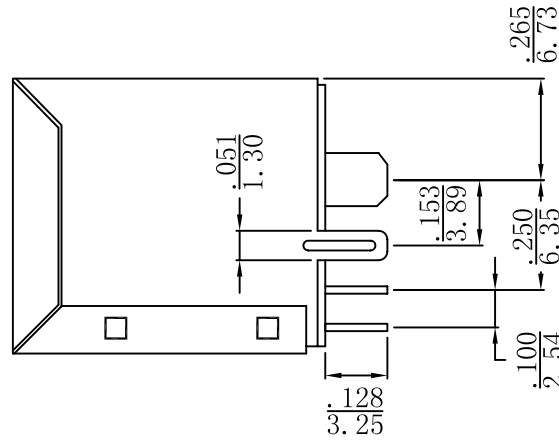
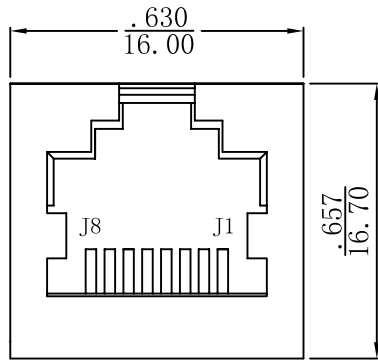
- TR: (100KHZ, 0.1V);
TX=1:1±2% RX=1:1±2%
- LX: (100KHZ, 100mV, 8mA, DC Bias)
PINS: (R1-R3), (R4-R6)=350uH MIN
- Transmitter filter & Receiver filter Type:
Balance low pass 100Ω impedance
- HIPOT:
Input (R1-R3) TO Output (C1-C2): 1500VAC 60sec
Input (R4-R6) TO Output (C3-C6): 1500VAC 60sec
- INSERTION LOSS:
-1.0dB MAX @ 1.0MHz TO 100MHz
- RETURN LOSS:
-18dB MIN @ 1.0MHz TO 30MHz
-16dB MIN @ 30MHz TO 60MHz
-12dB MIN @ 60MHz TO 80MHz
- CROSS TALK:
-30dB MIN @1.0MHz TO 100MHz
- COMMON MODE REJECTION:
-30dB MIN @1.0MHz TO 100MHz
- OPERATING TEMPERATURE: -40°C ~+85°C.



| | | | |
|--------|------------|-----------------|--|
| X:X | ±0.20 | APPD: | LINK-PP INT'L TECHNOLOGY CO., LIMITED |
| X:XX | ±0.10 | CHKD: | |
| X:XXX | ±0.05 | DR: TOM | Title: Vertical RJ45 Connector With 10/100 Magnetic |
| ANGLES | ±1° | UNIT: Inches/mm | PART NO.: LPJD4012DNL |
| | SCALE: 2/1 | SHEET: 2/2 | REV: A DWG NO.: LP10070804 |

Mechanical :

| REV. | ECN NO. | DESCRIPTION | DATE | APPD |
|------|---------|-------------|------------|------|
| A | REL | | 2010/07/08 | |



SUGGESTED PCB LAYOUT (TOP VIEW)

NOTES:

1. Designed to support application, such as SOHO (ADSL modems), LAN-on-Motherboard (LOM), hub and Switches.
2. Meets IEEE 802.3 specification
3. Connector Materials:
Housing: Thermoplastic UL94V-0
Contact/Shield: Copper alloy
Shield plating: Nickel
Contact plating: Gold 6 micro-inches min. In contact area.
4. Wave solder tip temperature: 265°C Max
Wave solder tip temperature time: 5 Sec Max



| | | | |
|--------|------------|-----------------|---|
| X:X | ±0.20 | APPD: | LINK-PP INT'L TECHNOLOGY CO., LIMITED |
| X:XX | ±0.10 | CHKD: | |
| X:XXX | ±0.05 | DR: TOM | Title: Vertical RJ45 Connector With 10/100 Magnetic |
| ANGLES | ±1° | UNIT: Inches/mm | PART NO.: LPJD4012DNL |
| | SCALE: 2/1 | SHEET: 1/2 | REV: A DWG NO.: LP10070804 |