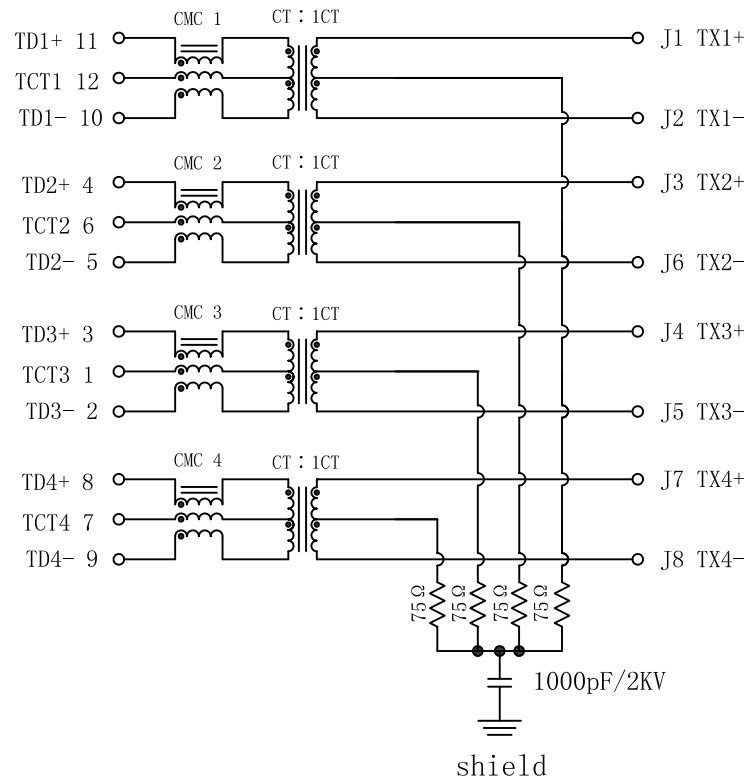


Schematic:

REV.	ECN NO.	DESCRIPTION	DATE	APPD
A	REL		2013/06/29	

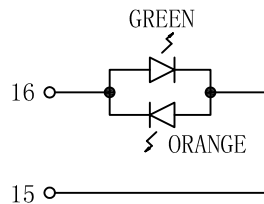
PCB CONNECTIONS



RJ45 CONNECTOR

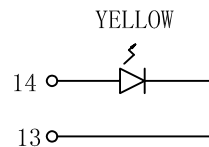
ELECTRICAL SPECIFICATIONS @25°C

- Turn Ratio: 1CT : 1CT
- Inductance OCL: 350uH MIN @100KHz/0.1V, 8mA DC Bias
- Insertion Loss: -1.1dB MAX @ 0.5~100MHz
- Return Loss: -18dB MIN @ 0.5~40MHz
-[12-20LOG(f/80)]dB MIN @ 40.1~100MHz
- Cross talk: -35dB MIN @ 0.5~40MHz
-[33-20LOG(f/50)]dB MIN @ 40.1~100MHz
- Common Mode Rejection Ratio(CMRR): -30dB MIN @ 0.5~100MHz
- Hipot Test: 1500Vrms
- Operating Temperature: 0°C TO 70°C



LEFT LED

LED POLARITY		COLOR
PIN 16	PIN 15	
+	-	GREEN
-	+	ORANGE



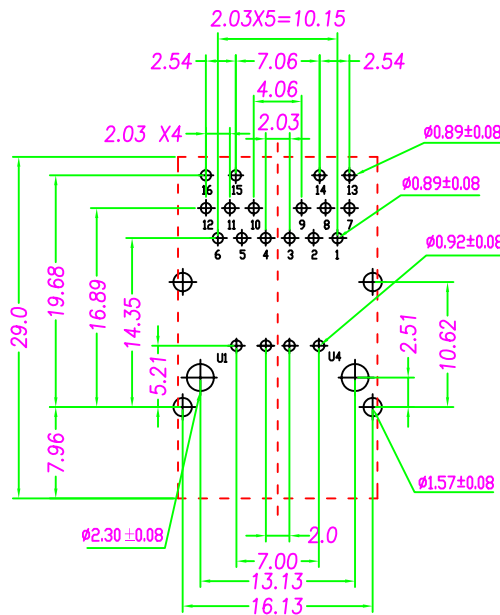
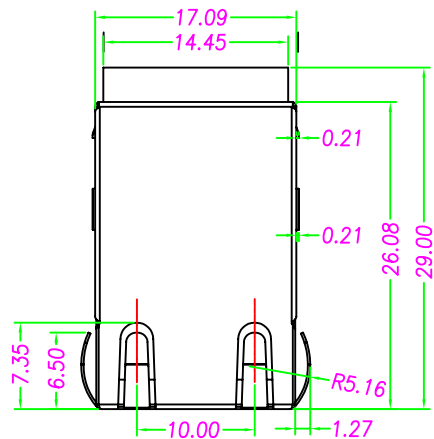
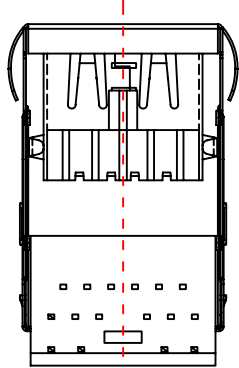
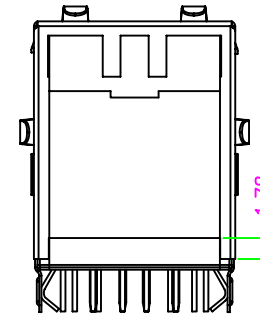
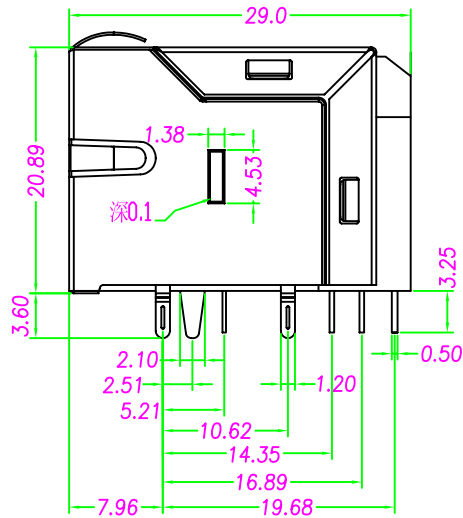
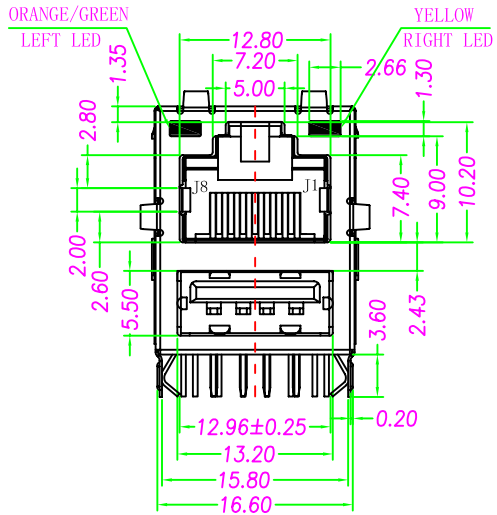
RIGHT LED

LED POLARITY		COLOR
PIN 14	PIN 13	
+	-	YELLOW

X:X	±0.30	APPD:	LINK-PP INT'L TECHNOLOGY CO., LIMITED
X:XX	±0.20	CHKD:	
X:XXX	±0.10	DR: TOM	TITLE: RJ45/Single USB Jack With 1000 Magnetics
ANGLES	±1°	UNIT: mm	PART NO.: LPJU3936A0NL
	SCALE: 2/1	SHEET: 1/2	REV: A DWG NO.: LP13062918

Mechanical:

REV.	ECN NO.	DESCRIPTION	DATE	APPD
A	REL		2013/06/29	



SUGGESTED PCB LAYOUT (TOP VIEW)

NOTES:

1. Designed to support application, such as SOHO (ADSL modems), LAN-on-Motherboard (LOM), hub and Switches.
2. Meets IEEE 802.3 specification
3. Connector Materials:
Housing: Thermoplastic UL94V-0
Contact/Shield: Copper alloy
Shield plating: Nickel
RJ-45 Contact plating: Gold 6 micro-inches min. In contact area
USB Contact plating: Gold Flash
4. Wave solder tip temperature and time: 265°C MAX, 5 Sec MAX.

X:X	±0.30	APPD:	LINK-PP INT'L TECHNOLOGY CO., LIMITED	
X:XX	±0.20	CHKD:	TITLE: RJ45/Single USB Jack With 1000 Magnetics	
X:XXX	±0.10	DR: TOM	PART NO.: LPJU3936A0NL	
ANGLES	±1°	UNIT: mm		
	SCALE: 2/1	SHEET: 2/2	REV: A	DWG NO.: LP13062918