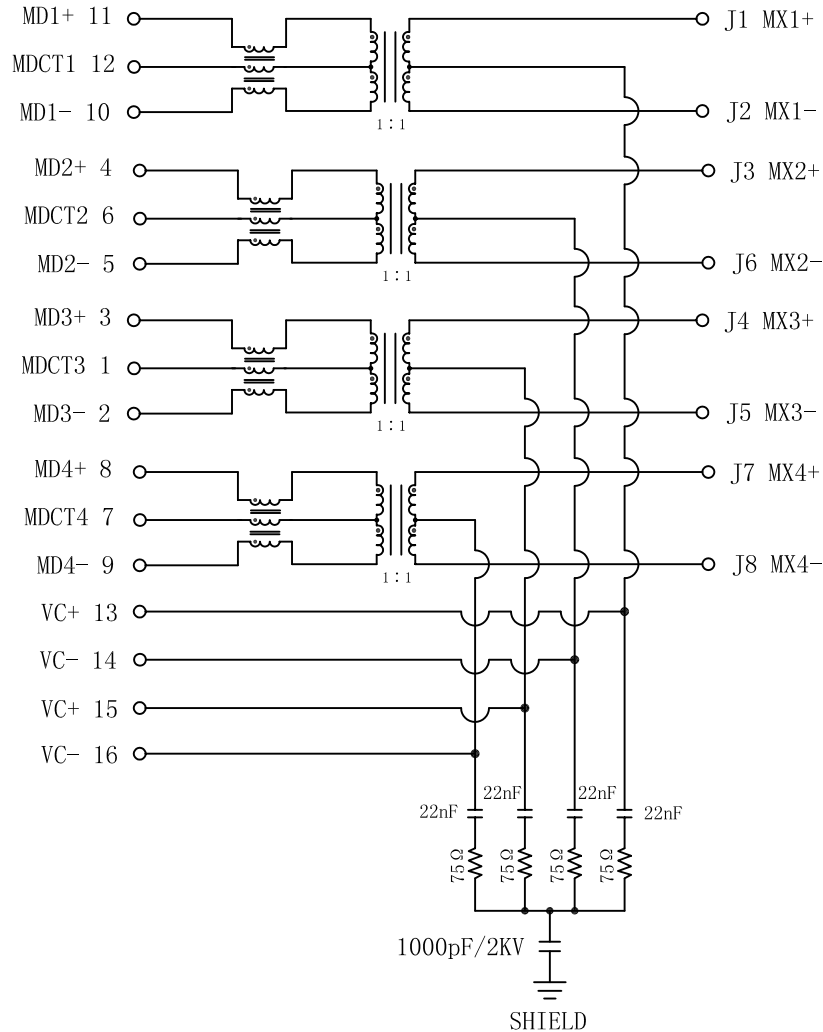


Schematic:

REV.	ECN NO.	DESCRIPTION	DATE	APPD
A	REL		2010/09/13	

PC BOARD CONNECTIONS



RJ45 CONNECTOR

Electrical Specifications @25°C

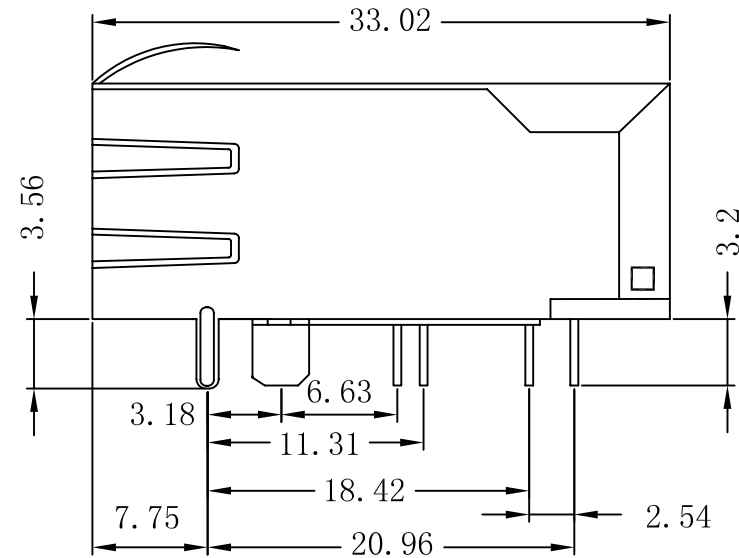
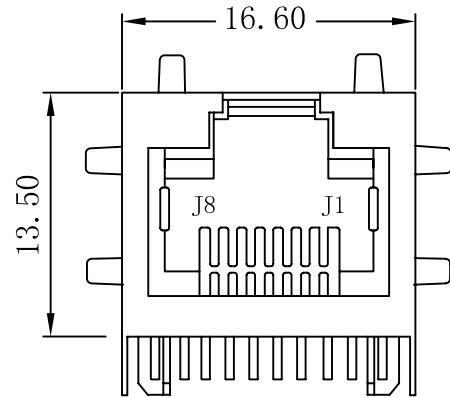
- Inductance: 350uH Min
@ 100KHz, 0.1V, 8mA DC BIAS
- Turns Ratio($\pm 2\%$):
TX=1CT:1 RX=1CT:1
- Insertion Loss:
1-100MHz:-1.0dB Max
- Return Loss(load 100Ω):
1-30MHz:-18dB Min
30-60MHz:-16dB Min
60-80MHz:-12dB Min
80-100MHz:-10dB Min
- Crosstalk:
1-100MHz:-30dB Min
- Common Mode Rejection:
1-100MHz:-30dB Min
- Hipot:1500Vrms Min @60Hz
- Operating Temperature: 0°C~70°C.



X:X	± 0.20	APPD:	LINK-PP INT'L TECHNOLOGY CO., LIMITED	
X:XX	± 0.10	CHKD:	Title: RJ45 Connector with 1000 Base-TX Integrated Magnetic & PoE	
X:XXX	± 0.05	DR: TOM		
ANGLES	$\pm 1^\circ$	UNIT: mm	PART NO. : LPJK2064CNL	
	SCALE: 2/1	SHEET: 1/2	REV: A	DWG NO. : LP10091320

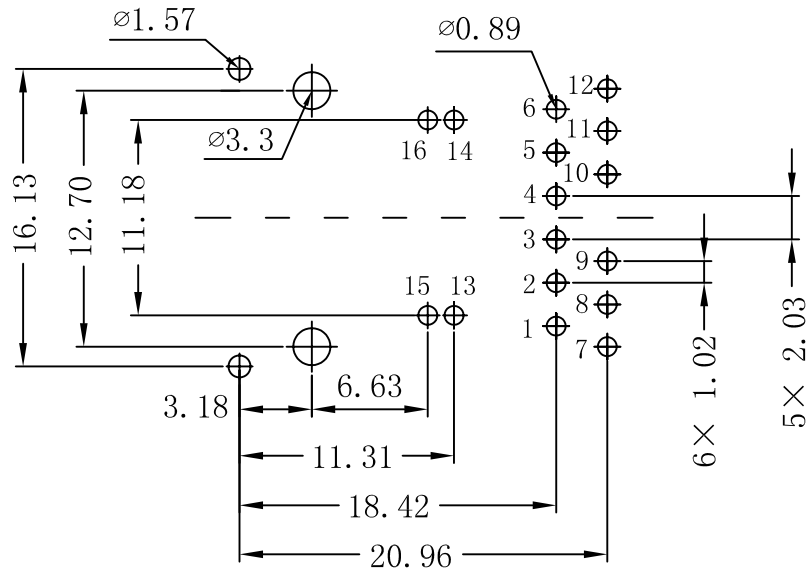
Mechanical :

REV.	ECN NO.	DESCRIPTION	DATE	APPD
A	REL		2010/09/13	



NOTES:

1. Designed to support application, such as SOHO (ADSL modems), LAN-on-Motherboard (LOM), hub and Switches.
2. Meets IEEE 802.3 specification
3. Connector Materials:
 Housing: Thermoplastic UL94V-0
 Contact/Shield: Copper alloy
 Shield plating: Nickel
 Contact plating: Gold 6 micro-inches min. In contact area.
4. Wave solder tip temperature: 265°C Max
 Wave solder tip temperature time: 5 Sec Max



SUGGESTED PCB LAYOUT(TOP VIEW)



X:X	±0.20	APPD:	LINK-PP INT'L TECHNOLOGY CO., LIMITED
X:XX	±0.10	CHKD:	
X:XXX	±0.05	DR: TOM	Title: RJ45 Connector with 1000 Base-TX Integrated Magnetic & PoE
ANGLES	±1°	UNIT: mm	PART NO. : LPJK2064CNL
	SCALE: 2/1	SHEET: 2/2	REV: A DWG NO. : LP10091320