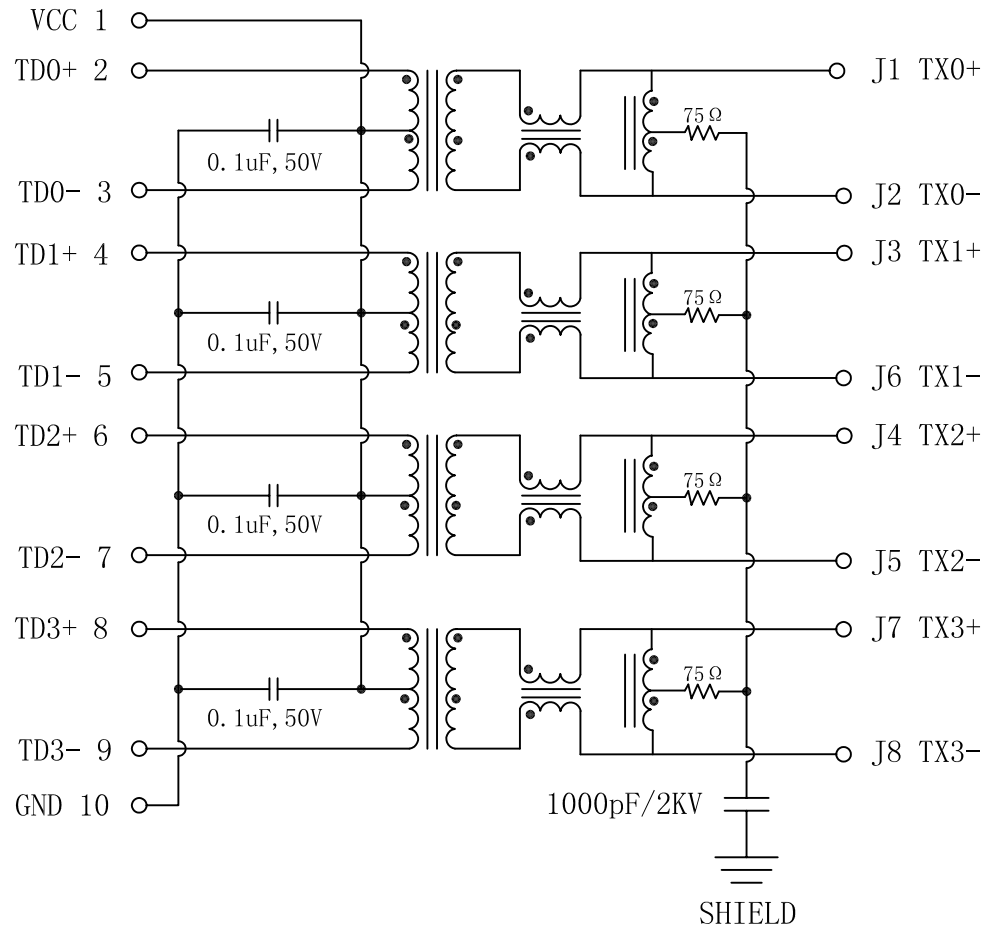


Schematic:

REV.	ECN NO.	DESCRIPTION	DATE	APPD
A	REL		2010/07/28	

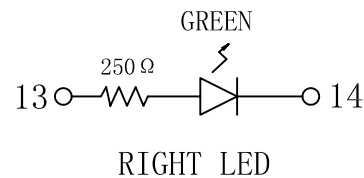
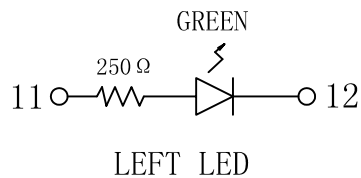
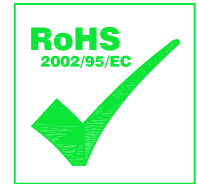
PCB CONNECTIONS



RJ45 CONNECTOR

ELECTRICAL SPECIFICATIONS @25°C

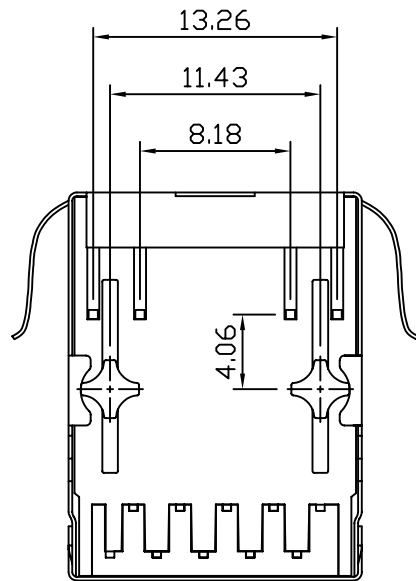
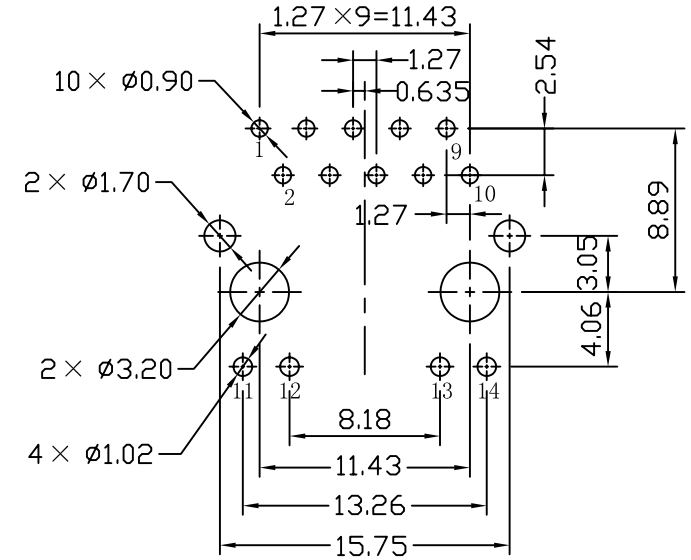
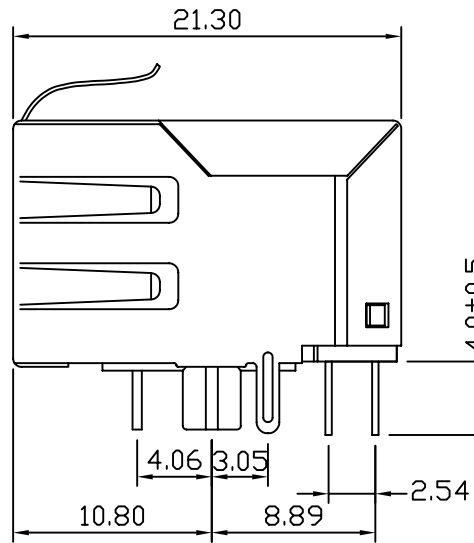
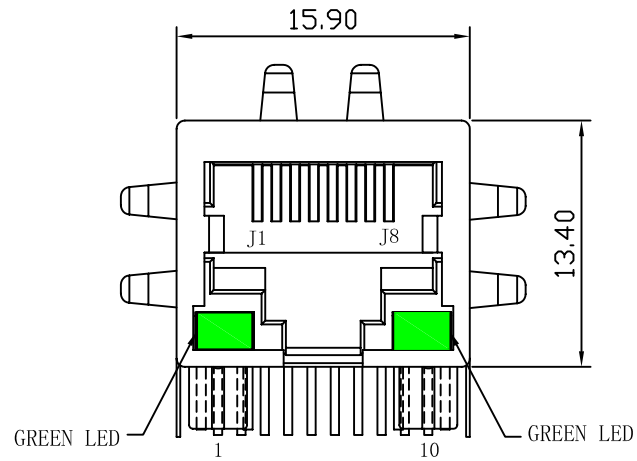
1. Turn Ratio($\pm 2\%$): 1CT : 1
2. Inductance OCL: 350uH MIN @100KHz, 0.1V, 8mA DC Bias
3. Insertion Loss: -1.0dB MAX @ 1.0-100MHz
4. Return Loss:
 - 18dB MIN @ 1-10MHz
 - 16dB MIN @ 10-30MHz
 - 12dB MIN @ 30-60MHz
 - 10dB MIN @ 60-100MHz
5. Cross talk:
 - 35dB MIN @ 1-30MHz
 - 32dB MIN @ 30-60MHz
 - 30dB MIN @ 60-100MHz
6. Common Mode Rejection: -30dB MIN @ 1-100MHz
7. Hipot Test: 1500Vrms MIN
8. Operating Temperature Range: 0°C TO 70°C



X:X	± 0.30	APPD:	LINK-PP INT'L TECHNOLOGY CO., LIMITED	
X:XX	± 0.20	CHKD:	TITLE: RJ45 Connector with 10/100 Base-T Integrated Magnetics	
X:XXX	± 0.05	DR: TOM	PART NO.: LPJG0833GZNL	
ANGLES	$\pm 1^\circ$	UNIT: mm	DWG NO.: LP10072809	
	SCALE: 2/1	SHEET: 1/2	REV: A	

Mechanical:

REV.	ECN NO.	DESCRIPTION	DATE	APPD
A	REL		2010/07/28	



NOTES:

1. Designed to support application, such as SOHO (ADSL modems), LAN-on-Motherboard (LOM), hub and Switches.
2. Meets IEEE 802.3 specification
3. Connector Materials:
 Housing: Thermoplastic UL94V-0
 Contact/Shield: Copper alloy
 Shield plating: Nickel
 Contact plating: Gold 6 micro-inches min. In contact area.
4. Wave solder tip temperature: 265°C Max
 Wave solder tip temperature time: 5 Sec Max

X:X	±0.30	APPD:	LINK-PP INT'L TECHNOLOGY CO., LIMITED	
X:XX	±0.20	CHKD:	TITLE: RJ45 Connector with 10/100 Base-T Integrated Magnetics	
X:XXX	±0.05	DR: TOM	PART NO.: LPJG0833GZNL	
ANGLES	±1°	UNIT: mm	DWG NO.: LP10072809	
	SCALE: 2/1	SHEET: 2/2	REV: A	