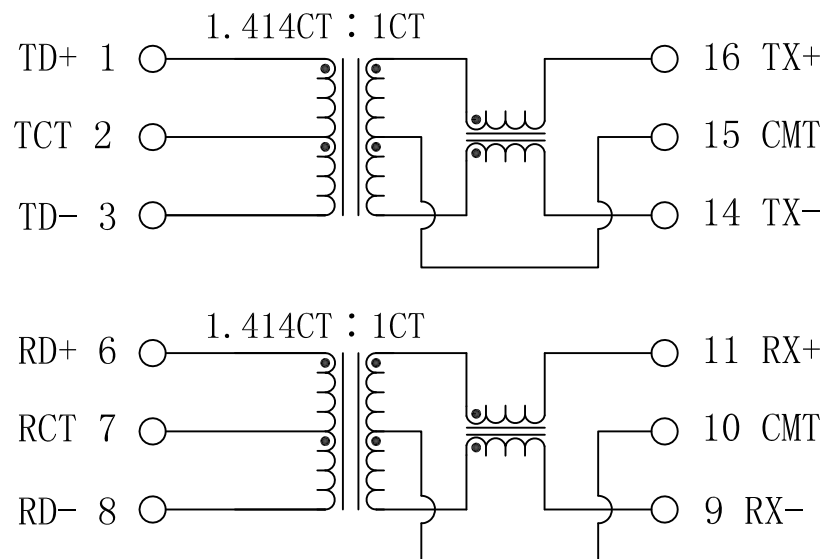


Schematic:

REV.	ECN NO.	DESCRIPTION	DATE	APPD
A	REL		2014/08/20	



Electrical Specifications @25°C

1. Turns Ratio:

$$(1-2-3) : (16-15-14) = 1.414CT : 1CT \pm 2\%$$

$$(6-7-8) : (11-10-9) = 1.414CT : 1CT \pm 2\%$$

2. OCL:

350uH MIN @100KHz, 0.1Vrms, 8mA DC Bias;

325uH MIN @-40°C;

3. Isolation(Input- Output):

1500Vrms MIN, 60 Seconds

4. Insertion Loss:

100KHz: -1.2dB MAX

1-125MHz: $-0.2-0.002*f^{1.4}$ dB MAX

5. Return Loss(@100 Ω ±15%):

0.1-30MHz: -16dB MIN

30-60MHz: $-10+20*\text{LOG}_{10}(f/60\text{MHz})$ dB MIN

60-80MHz: -10dB MIN

6. Cross Talk:

1MHz: -50dB MIN

10-100MHz: $-55+22*\text{LOG}_{10}(f/10\text{MHz})$ dB MIN

7. Common Mode Rejection Ratio:

2MHz: -50dB MIN

30-200MHz: $-15+20*\text{LOG}_{10}(f/200\text{MHz})$ dB MIN

8. Operating Temperature: -40°C ~ +85°C.

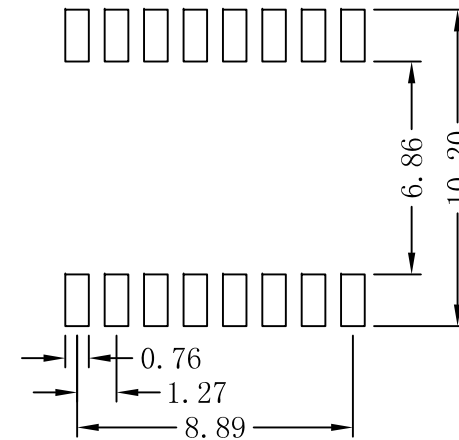
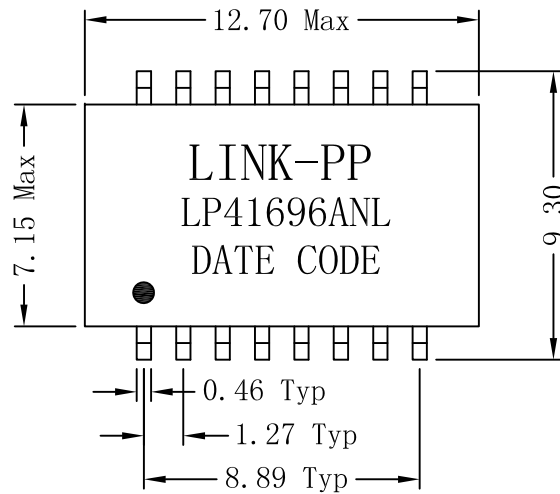
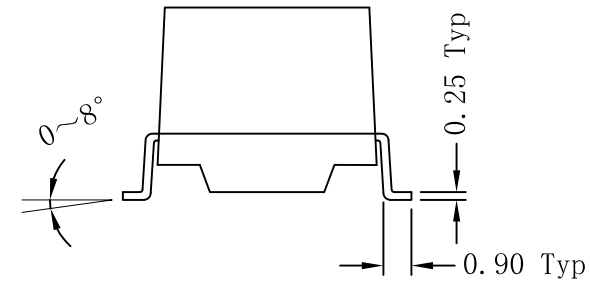
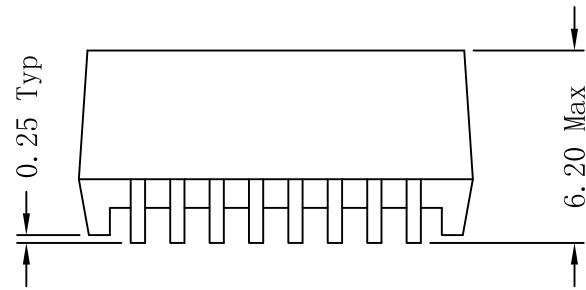
NOTE: f IS FREQUENCY IN MHZ



X:X	APPD:	LINK-PP INT'L TECHNOLOGY CO., LIMITED		
X:XX	CHKD:	TITLE: 100 Base-T Single Port Transformer Modules		
X:XXX	DR: TOM	PART NO.: LP41696ANL		
ANGLES ±1°	UNIT: mm			
	SCALE: 2/1	SHEET: 1/2	REV: A	DWG NO.: LP14082002

Mechanical:

REV.	ECN NO.	DESCRIPTION	DATE	APPD
A	REL		2014/08/20	



SUGGESTED PAD LAYOUT

NOTES:

1. Designed to support application, such as SOHO (ADSL modems), LAN-on-Motherboard (LOM), hub and Switches.
2. With various Turns Ratios.
3. RoHS "NL" peak solder rating 260°C ±5°C.



Dimensions: mm

Unless otherwise specified, all tolerances are ±0.25

X:X	APPD:	LINK-PP INT'L TECHNOLOGY CO., LIMITED		
X:XX	CHKD:	TITLE: 100 Base-T Single Port Transformer Modules		
X:XXX	DR: TOM	PART NO.: LP41696ANL		
ANGLES ±1°	UNIT: mm			
	SCALE: 2/1	SHEET: 2/2	REV: A	DWG NO.: LP14082002