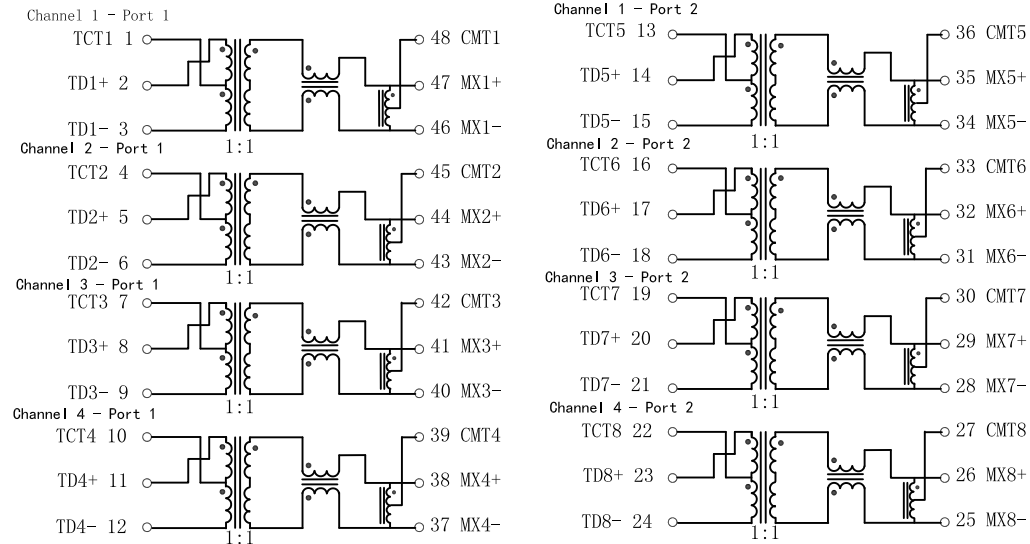


# Schematic:

REV.	ECN NO.	DESCRIPTION	DATE	APPD
A	REL		28/07/2007	



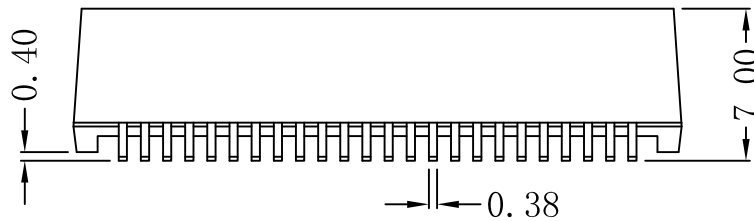
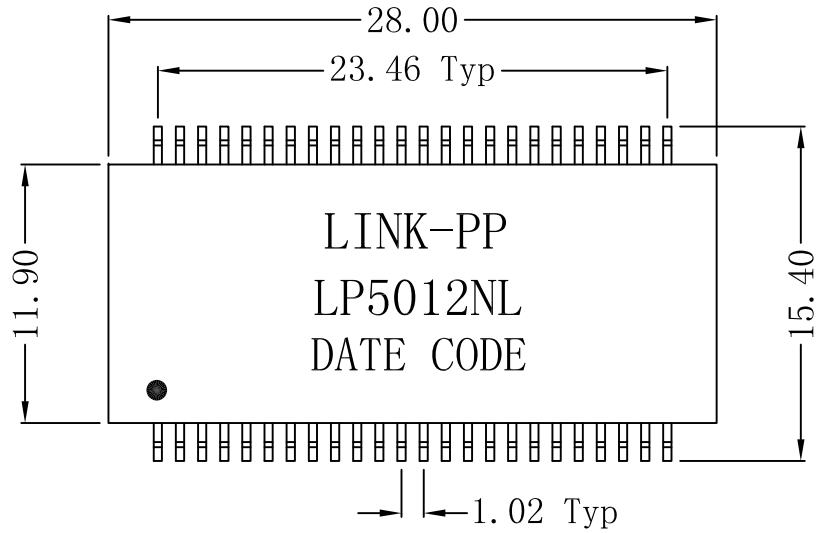
## Electrical Specification @25°C

- Insertion Loss:  
1-100MHz:-1.4dB MAX
- Return Loss(dB MIN):  
1-30MHz:-16                      40MHz:-14.4  
50MHz:-13.1                     60-80MHz:-12  
100MHz:-10
- Crosstalk(dB MIN):  
30MHz:-43.5                     60MHz:-37.5  
100MHz:-33
- DCMR(dB MIN):  
30MHz:-45                        60MHz:-40  
100MHz:-35
- Isolation Voltage: 1500Vrms
- Operating Temperature: 0°C~70°C.

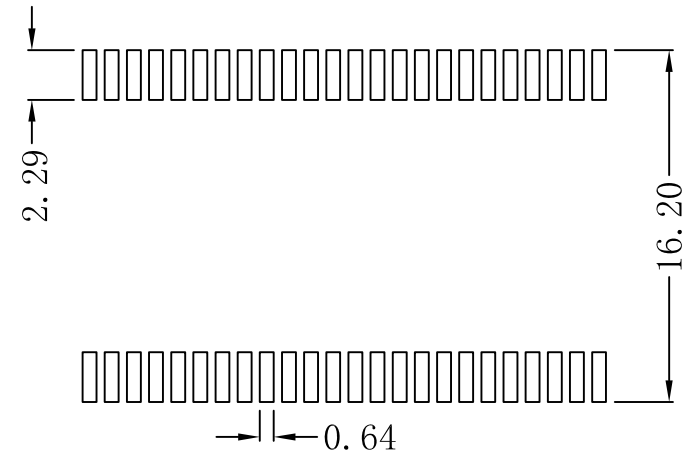


X:X	APPD:	LINK-PP INT'L TECHNOLOGY CO., LIMITED	
X:XX	CHKD:	TITLE: 1000Base-T Magnetic Modules	
X:XXX	DR: C.H.Y	PART NO.: LP5012NL	
ANGLES ±1°	UNIT: mm		
	SCALE: 2/1	SHEET: 1/2	REV: A      DWG NO.:

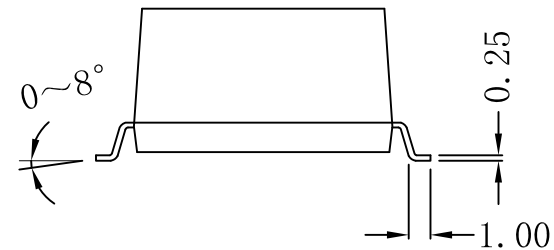
**Mechanical:**



REV.	ECN NO.	DESCRIPTION	DATE	APPD
A	REL		28/07/2007	



SUGGESTED PAD LAYOUT



Dimensions: mm

Unless otherwise specified, all tolerances are  $\pm 0.25$

NOTES:

1. Designed to support application, such as SOHO (ADSL modems), LAN-on-Motherboard (LOM), hub and Switches.
2. With various Turns Ratios.
3. 350uH min OCL with 8mA bias current.
4. RoHS "NL" peak solder rating 245°C.



X:X	APPD:	LINK-PP INT'L TECHNOLOGY CO., LIMITED		
X:XX	CHKD:	TITLE: 1000Base-T Magnetic Modules		
X:XXX	DR: C.H.Y	PART NO.: LP5012NL		
ANGLES $\pm 1^\circ$	UNIT: mm			
	SCALE: 2/1	SHEET: 2/2	REV: A	DWG NO.: