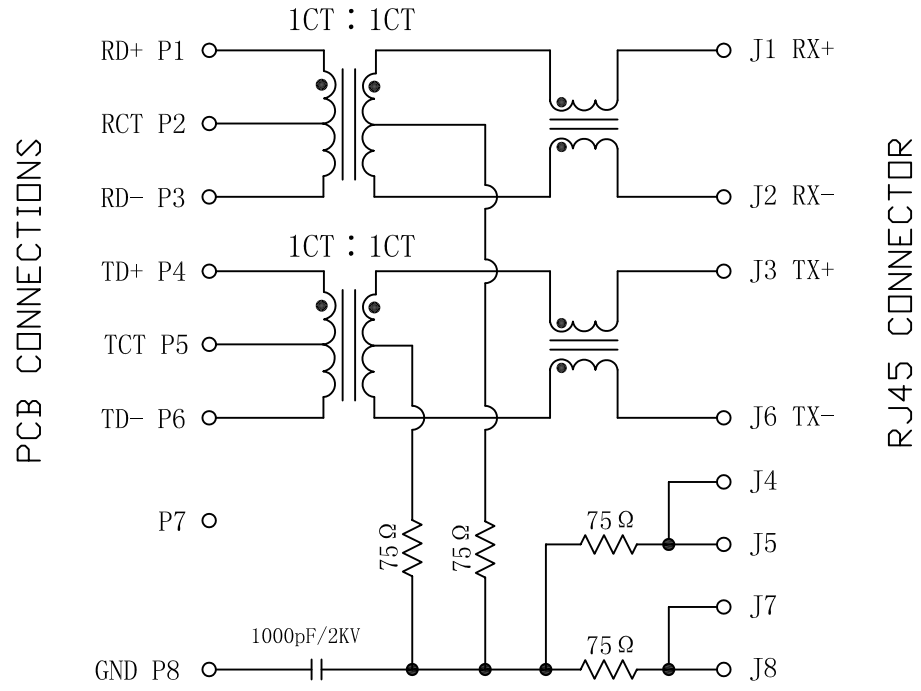
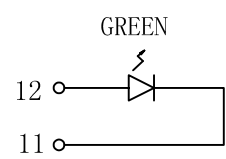


Schematic:

REV.	ECN NO.	DESCRIPTION	DATE	APPD
A	REL		2011/08/01	

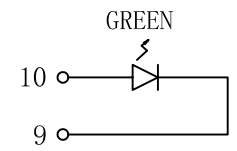


- Electrical Specifications @25°C
1. OCL: 350uH MIN
@100KHz, 0.1V, 8mA DC Bias.
 2. Insertion Loss:
1~100MHz:-1.0dB MAX
 3. Return Loss:
1~30MHz:-18dB MIN. load 100 Ω
30~60MHz:-16dB MIN. load 100 Ω
60~80MHz:-12dB MIN. load 100 Ω
 4. Cross Talk:
1~100MHz:-30dB MIN
 5. Common Mode Rejection:
1~100MHz:-30dB MIN
 6. HiPot Test: 1500Vrms MIN
 7. Operating Temperature: 0 TO +70°C.



LEFT LED

LED POLARITY		COLOR
PIN 12	PIN 11	
+	-	GREEN



RIGHT LED

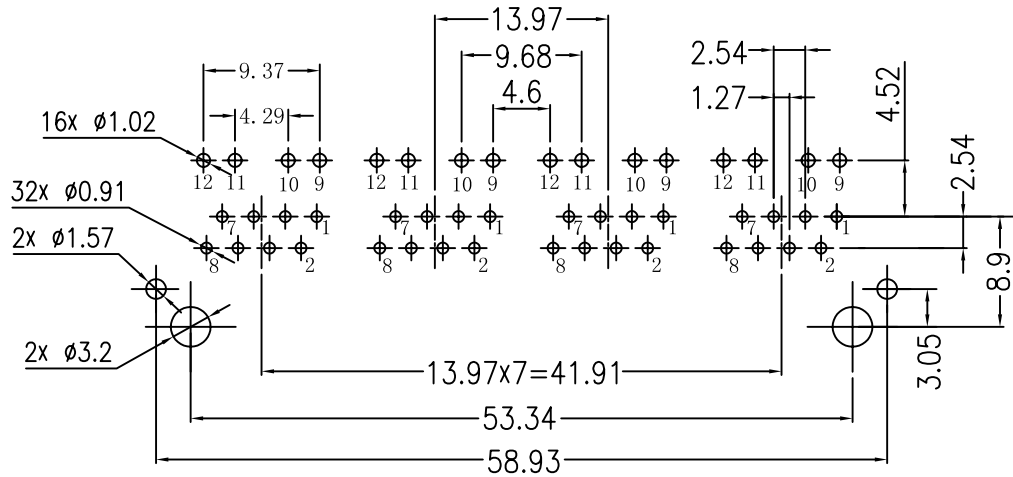
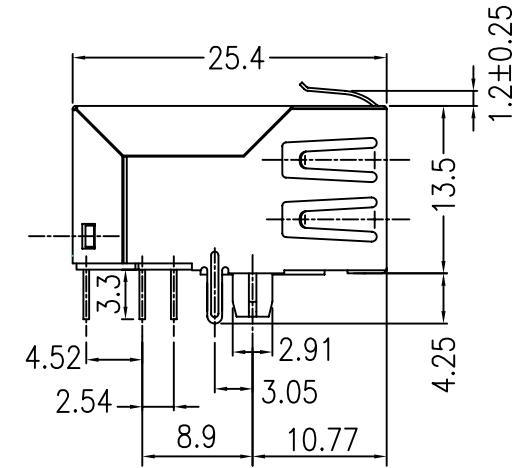
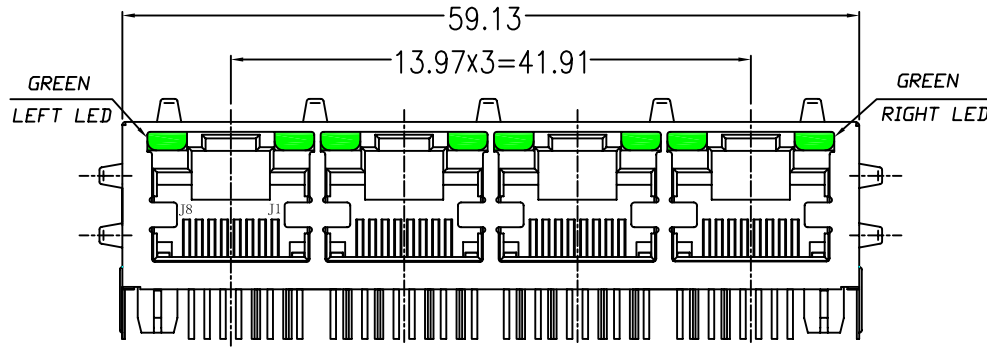
LED POLARITY		COLOR
PIN 10	PIN 9	
+	-	GREEN



X:X	±0.20	APPD:	LINK-PP INT'L TECHNOLOGY CO., LIMITED
X:XX	±0.10	CHKD:	
X:XXX	±0.05	DR: TOM	
ANGLES	±1°	UNIT: mm	Part No.: LPJ41014AWNLS
	SCALE: 2/1	SHEET: 1/2	REV: A DWG: LP11080102

Mechanical :

REV.	ECN NO.	DESCRIPTION	DATE	APPD
A	REL		2011/08/01	



SUGGESTED PCB LAYOUT (TOP VIEW)



NOTES :

1. Designed to support application, such as SOHO (ADSL modems), LAN-on-Motherboard (LOM), hub and Switches.
2. Meets IEEE 802.3 specification
3. Connector Materials:
Housing: Thermoplastic UL94V-0
Contact/Shield: Copper alloy
Shield plating: Nickel
Contact plating: Gold 6 micro-inches min. In contact area.
4. Wave solder tip temperature: 265°C Max
Wave solder tip temperature time: 5 Sec Max

X:X	±0.20	APPD:	LINK-PP INT'L TECHNOLOGY CO., LIMITED	
X:XX	±0.10	CHKD:	Title: RJ45 Connector With 10/100 Base-TX Integrated Magnetic	
X:XXX	±0.05	DR: TOM	PART NO. : LPJ41014AWN	
ANGLES	±1°	UNIT: mm		
	SCALE: 2/1	SHEET: 2/2	REV: A	DWG: LP11080102