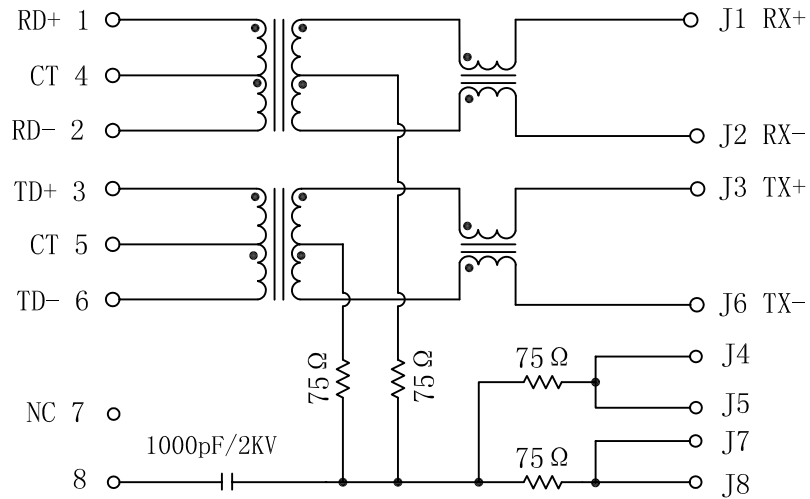


Schematic:

REV.	ECN NO.	DESCRIPTION	DATE	APPD
A	REL		02/07/2008	

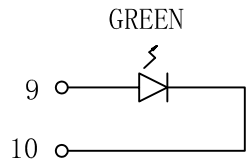
PCB CONNECTIONS



RJ45 CONNECTOR

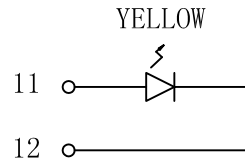
Electrical Specification @25°C

- Turns Ratio ($\pm 2\%$) :
TX=1CT:1CT RX=1CT:1CT
- OCL: 350uH Min
@100KHz, 0.1V, 8mA DC Bias
- Insertion Loss:
1~100MHz:-1.0dB Max
- Return Loss(dB Min):
1~30MHz:-16 30~60MHz:-12
60~80MHz:-10
- Crosstalk(dB Min):
1~30MHz:-40 30~60MHz:-35
60~100MHz:-30
- CMR(dB Min):
1~50MHz:-40 50~150MHz:-30
- Hipot: 1500V AC 6S 1mA
- Operating Temperature: -40°C~70°C.



LEFT LED

LED POLARITY		COLOR
PIN 9	PIN 10	
+	-	GREEN



RIGHT LED

LED POLARITY		COLOR
PIN 11	PIN 12	
+	-	YELLOW



X:X	± 0.20	APPD:	LINK-PP INT'L TECHNOLOGY CO., LIMITED	
X:XX	± 0.10	CHKD:	Title: RJ45 Connector With 10/100 Base-TX Integrated Magnetic	
X:XXX	± 0.05	DR: TOM		
ANGLES	$\pm 1^\circ$	UNIT: mm	PART NO.:	LPJ86404AENL
	SCALE: 2/1	SHEET: 1/2	REV: A	DWG: LP10072406