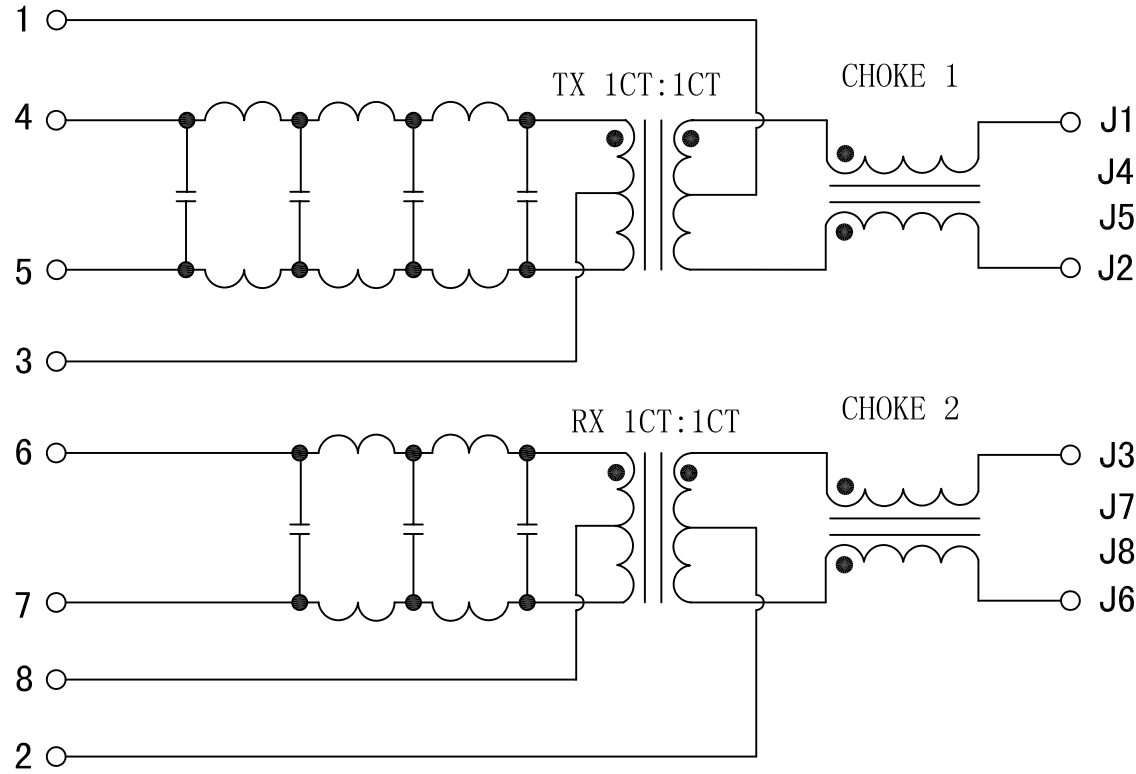


Schematic:

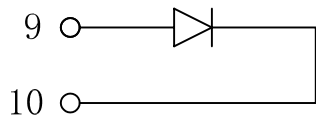
| REV. | ECN NO. | DESCRIPTION | DATE | APPD |
|------|---------|-------------|------------|------|
| A | REL | | 02/07/2007 | |



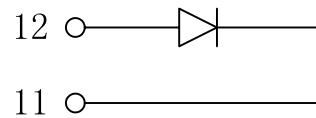
Electrical Specification @25°C

- Turns Ratio ($\pm 5\%$) :
TX=1CT:1CT RX=1CT:1CT
- Insertion Loss:
1-10MHz: -1.0dB Max
- Return Loss:
5-10MHz: -13.5dB Min
- Crosstalk:
1-10MHz: -30dB Min
- Attenuation: 20/25/30/40MHz
(TX: -5/-18/-28/-33dB Min);
(RX: -4.2/-11/-16/-26dB Min)
- CMR: 30-100MHz: -30dB Min
- Isolation Voltage: 1200Vrms/0.5mA
- Inductance: 150uH Min @100KHz/0.1V
- Operating Temperature: 0°C ~ 70°C.

YELLOW/LEFT LED



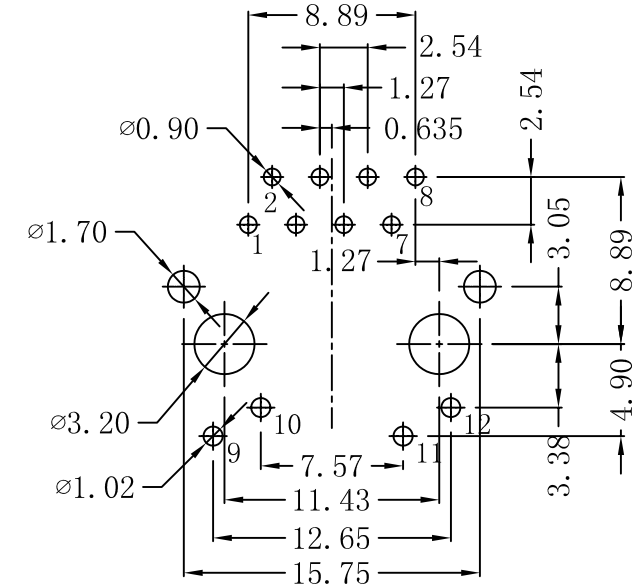
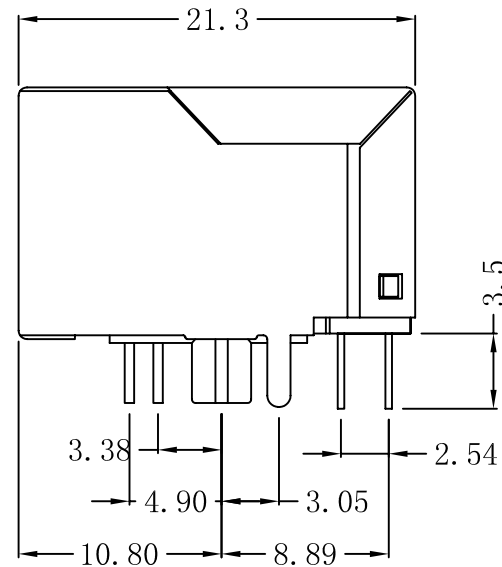
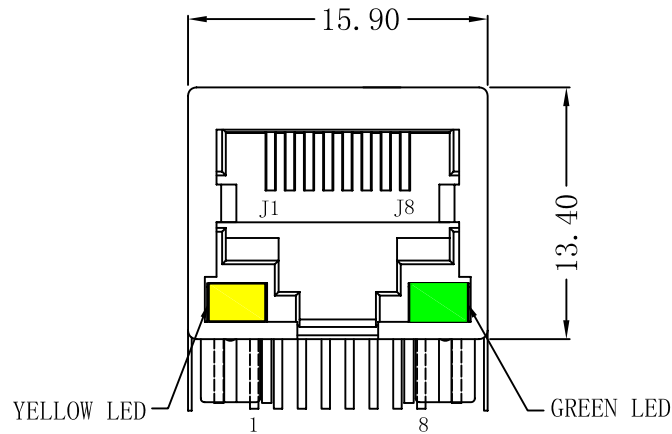
GREEN/RIGHT LED



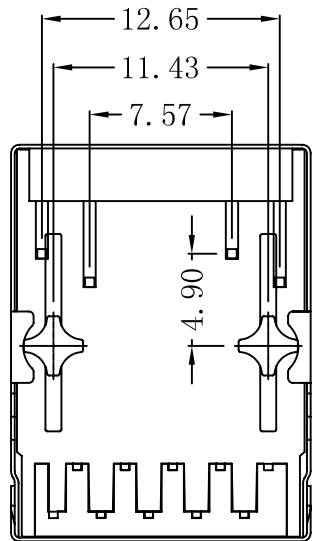
| | | | |
|--------|---------------|------------|---|
| X:X | ± 0.25 | APPD: | LINK-PP INT'L TECHNOLOGY CO., LIMITED |
| X:XX | ± 0.10 | CHKD: | |
| X:XXX | ± 0.05 | DR: TOM | |
| ANGLES | $\pm 1^\circ$ | UNIT: mm | TITLE: RJ45 Connector With 10 Base-TX Integrated Magnetic |
| | | | PART NO. : LPJ0022BANL |
| | SCALE: 2/1 | SHEET: 2/2 | REV: A DWG NO. : LP07070205 |

Mechanical:

| REV. | ECN NO. | DESCRIPTION | DATE | APPD |
|------|---------|-------------|------------|------|
| A | REL | | 02/07/2007 | |



SUGGESTED PCB LAYOUT (TOP VIEW)



NOTES:

1. Designed to support application, such as SOHO (ADSL modems), LAN-on-Motherboard (LOM), hub and Switches.
2. Meets IEEE 802.3 specification
3. Connector Materials:
 Housing: Thermoplastic UL94V-0
 Contact/Shield: Copper alloy
 Shield plating: Nickel
 Contact plating: Gold 6 micro-inches min. In contact area.
4. Wave solder tip temperature: 265°C Max.
 Wave solder tip temperature time: 5 Sec Max



| | | | |
|--------|------------|---------------|---|
| X:X | ±0.25 | APPD: | LINK-PP INT'L TECHNOLOGY CO., LIMITED |
| X:XX | ±0.10 | CHKD: | |
| X:XXX | ±0.05 | DR: TOM | TITLE: RJ45 Connector With 10 Base-TX Integrated Magnetic |
| ANGLES | ±1° | UNIT: mm/Inch | PART NO.: LPJ0022BANL |
| | SCALE: 2/1 | SHEET: 1/2 | REV: A PART NO.: LP07070205 |