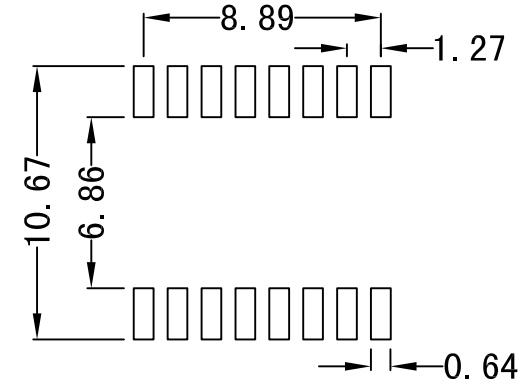
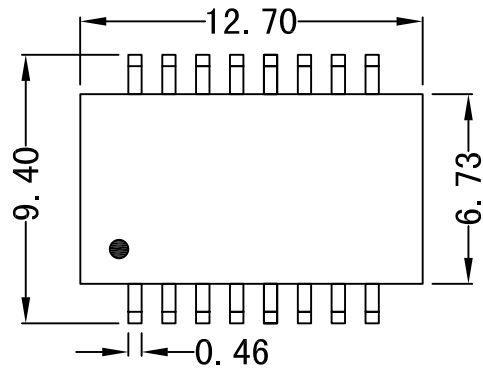
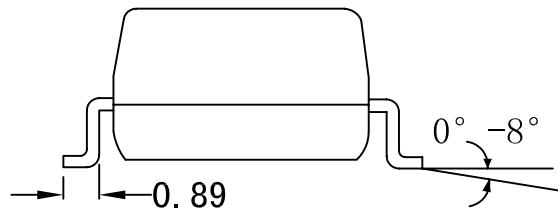
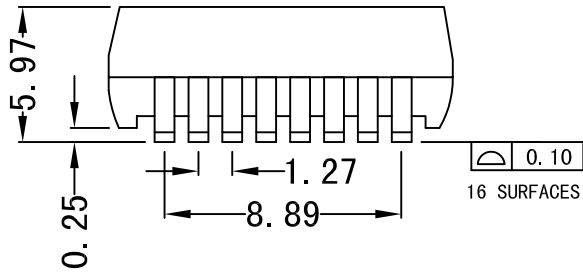


# Mechanical:

REV.	ECN NO.	DESCRIPTION	DATE	APPD
A	REL		24/10/2008	



SUGGESTED PAD LAYOUT



## NOTES:

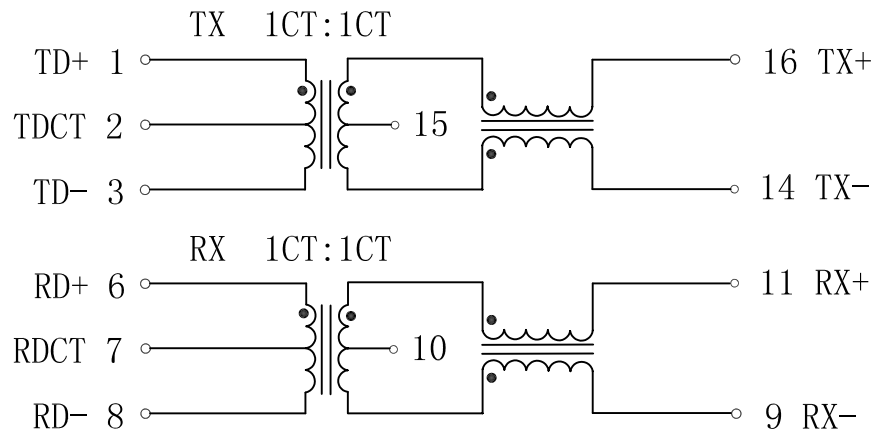
1. Designed to support application, such as SOHO (ADSL modems), LAN-on-Motherboard (LOM), hub and Switches.
2. With various Turns Ratios.
3. OCL (@100KHz, 0.1V, 8mA DC Bias): 350uH min .
4. RoHS "NL" peak solder rating 245°C.



X:X	±0.20	APPD:	LINK-PP INT'L TECHNOLOGY CO., LIMITED	
X:XX	±0.10	CHKD:	Title: 10/100Base-T Single Port Transformer Modules	
X:XXX	±0.05	DR: TOM	PART NO.: LP1260NL	
ANGLES	±1°	UNIT: mm		
	SCALE: 2/1	SHEET: 1/2	REV: A	DWG NO.: LP08102402

# Schematic:

REV.	ECN NO.	DESCRIPTION	DATE	APPD
A	REL		24/10/2008	



## Electrical Specifications @25°C

### 1. Turns Ratio:

TX=1CT:1CT      RX=1CT:1CT

### 2. Insertion Loss:

0.1-100MHz:-1.1dB MAX

### 3. Return Loss(dB TYP):

30MHz:-16      60MHz:-10

80MHz:-10

### 4. Crosstalk(dB MIN):

30MHz:-35      60MHz:-30

100MHz:-30

### 5. Hipot:1500Vrms MIN

### 6. Operating Temperature:0~70°C.



X:X	±0.20	APPD:	LINK-PP INT'L TECHNOLOGY CO., LIMITED
X:XX	±0.10	CHKD:	
X:XXX	±0.05	DR: TOM	Title: 10/100Base-T Single Port Transformer Modules
ANGLES	±1°	UNIT: mm	PART NO.: LP1260NL
	SCALE: 2/1	SHEET: 2/2	REV: A      DWG NO.: LP08102402